

MDC Foam

15150 Oxnard Street
Van Nuys, CA 91411
818-994-1201
818-994-5574
Fax: 818-994-1291

Coating Available
Support products in stock

MDC Foam is a company that will strive to meet your foam fabrication needs. Architectural accents for interior and exterior, standard or custom shapes, hobbies and crafts.

The material we use is expanded polystyrene (EPS). It is available in several densities. The standard is one pound per cubic foot. It will be cut to a tolerance of plus or minus 1/8 of an inch.

As with any material this product should be installed in accordance with applicable building codes.

The use of EPS in construction has become increasingly popular because:

Cost efficient

Lightweight

Ease of installation

Highly resistant to cracks and warping

EPS is recyclable

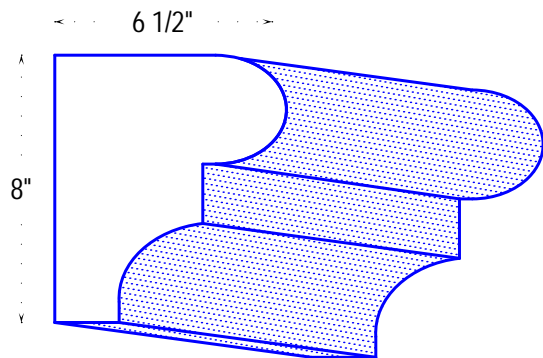
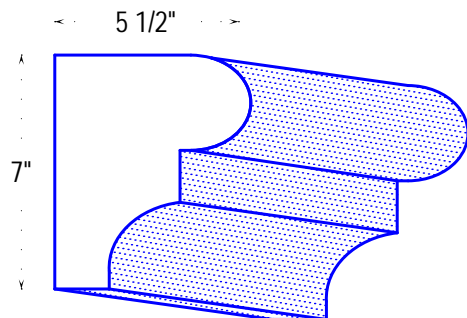
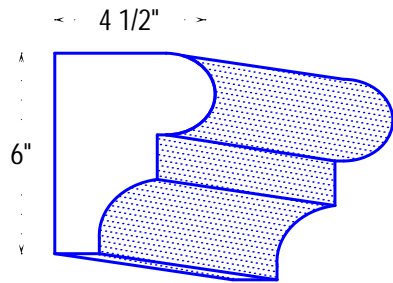
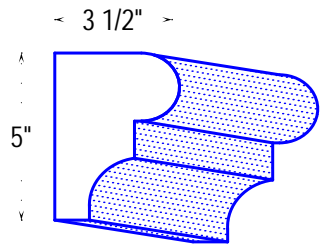
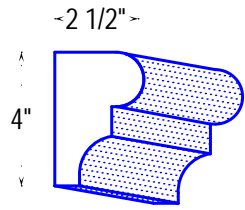
Higher densities can be used for economical non-structural framing options. Using foam you can create many different effects, such as arches, niches, barrel ceilings, groin vaults, domes and coffered ceilings.

The following pages show cross sections, shapes, and some capabilities of EPS. We can match your existing foam shape most of the time, just bring us a sample or profile.

Any shape can be made smaller or larger, or customized to your specific request.

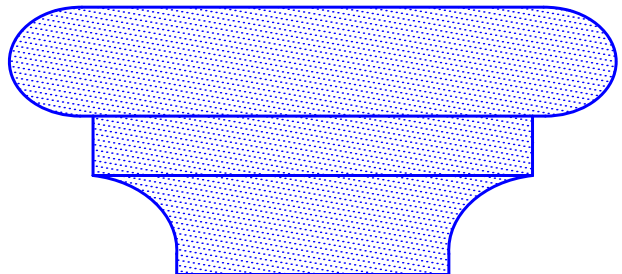
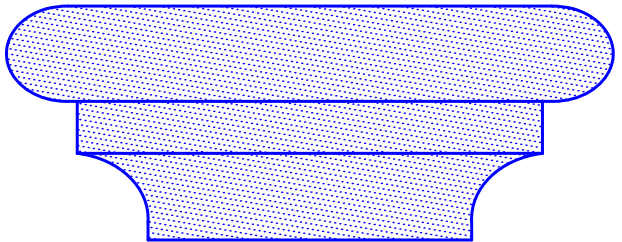
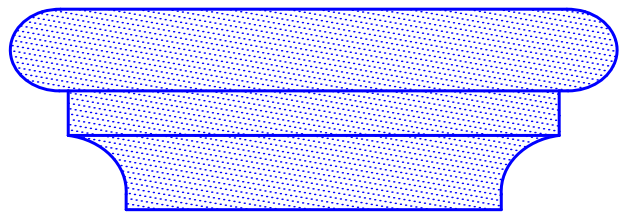
It is recommended that EPS be coated for strength and durability.

Coated shapes are available with or without color.

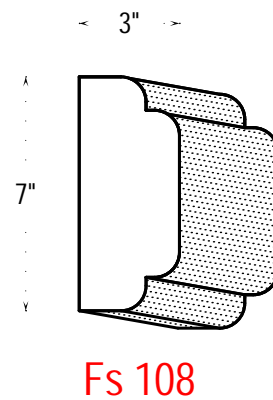
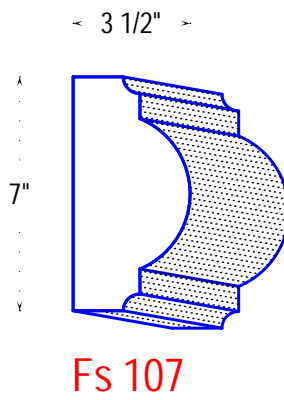
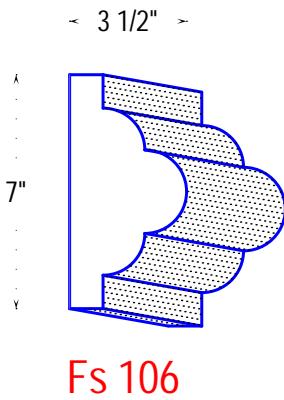
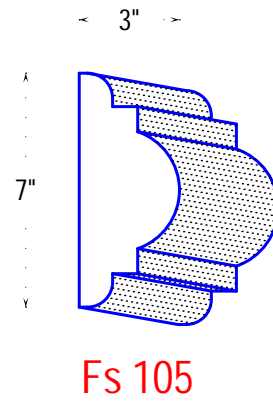
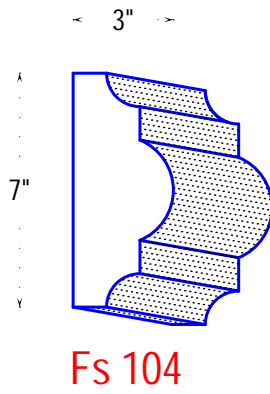
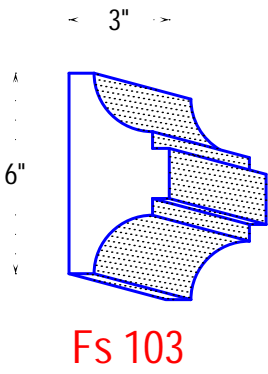
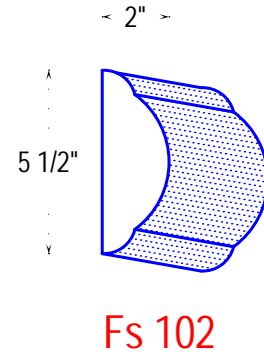
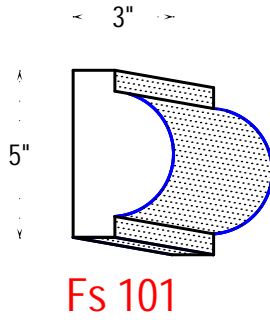
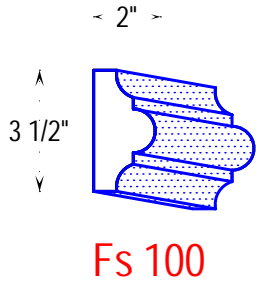


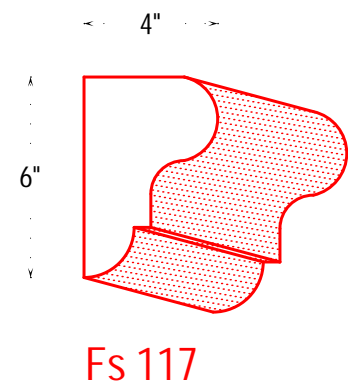
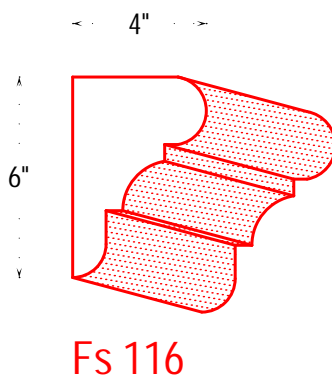
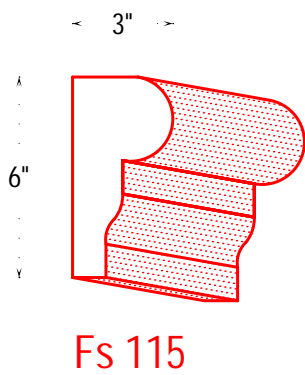
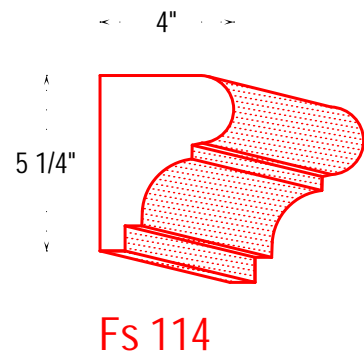
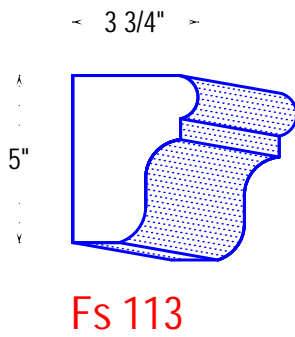
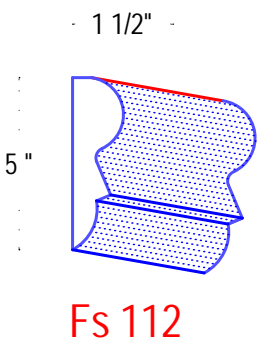
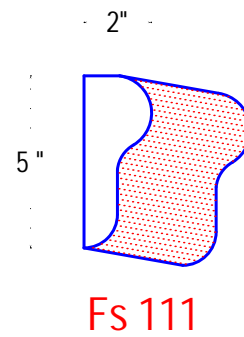
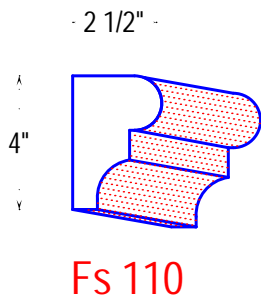
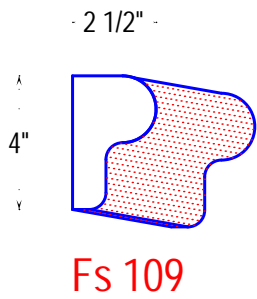
All of our shapes can be scaled smaller or larger, depending on your dimensional requirements. We can do the same with any custom shape.

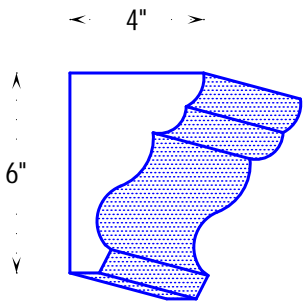
Fs 110



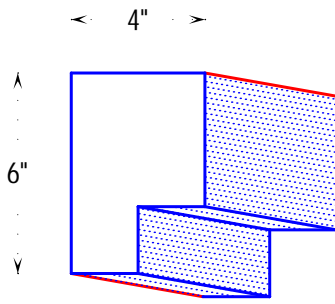
MDC Foam



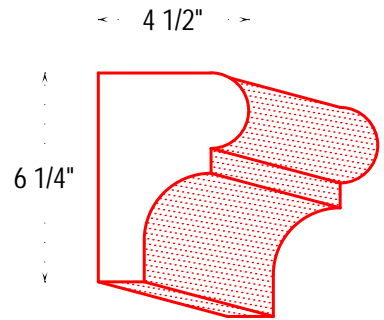




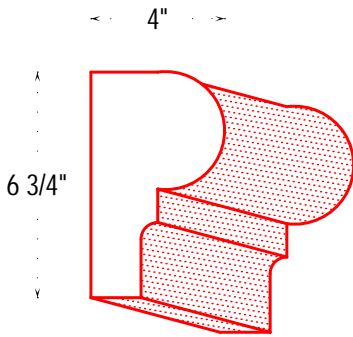
Fs 118



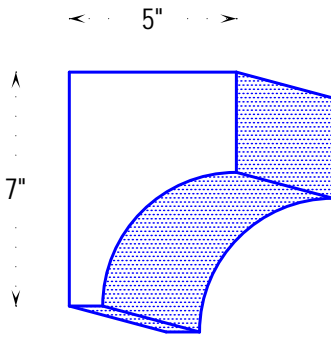
Fs 119



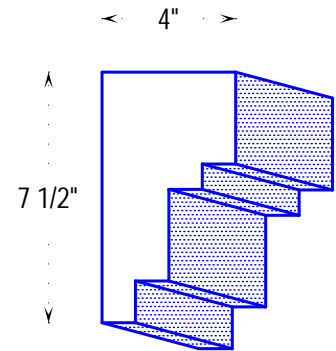
Fs 120



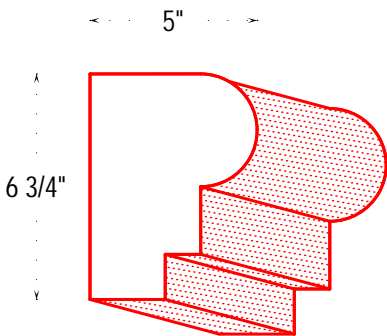
Fs 121



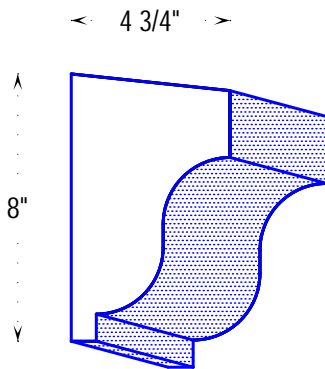
Fs 122



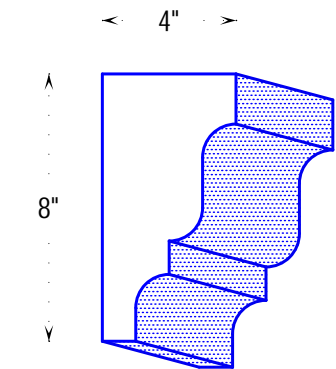
Fs 123



Fs 124

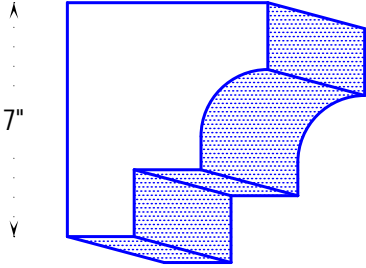


Fs 125



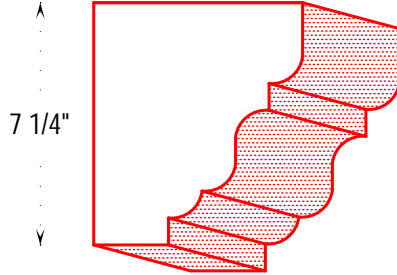
Fs 126

6"



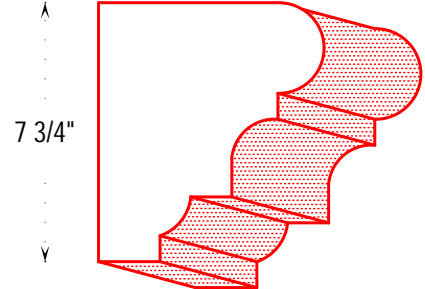
Fs 127

6 1/4"



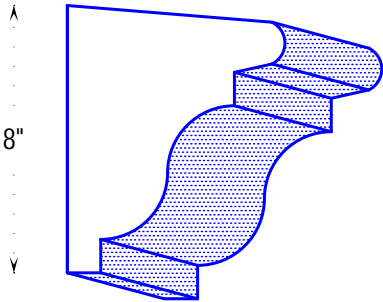
Fs 128

6 3/4"



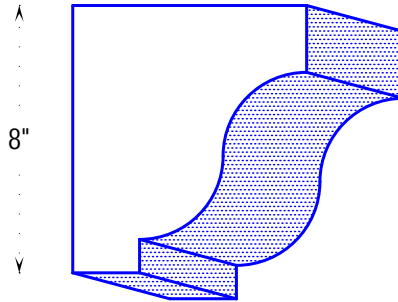
Fs 129

6 1/2"



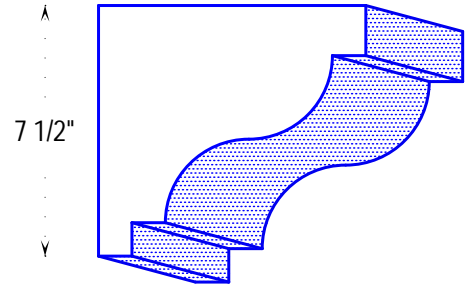
Fs 130

7"



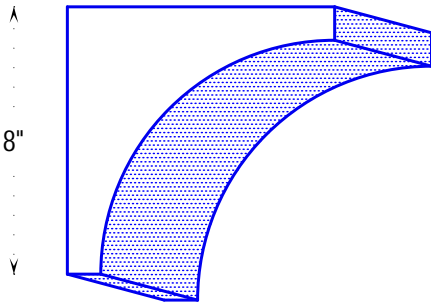
Fs 131

8"



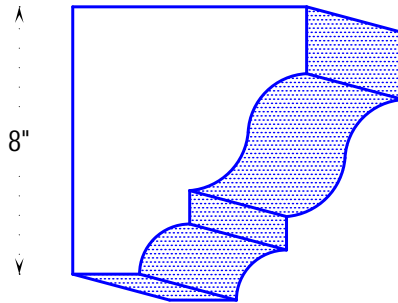
Fs 132

8"



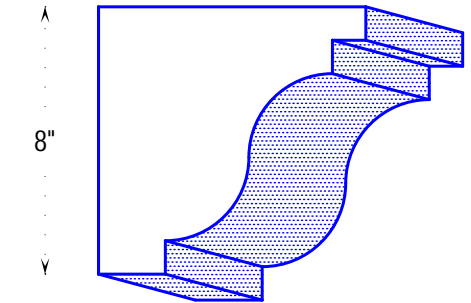
Fs 133

7"

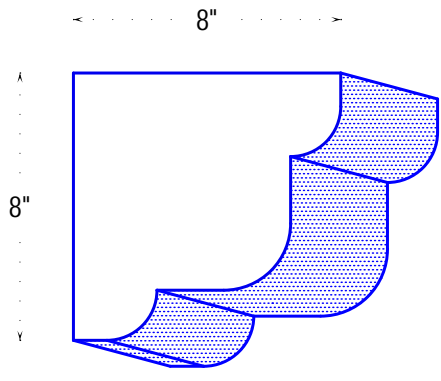


Fs 134

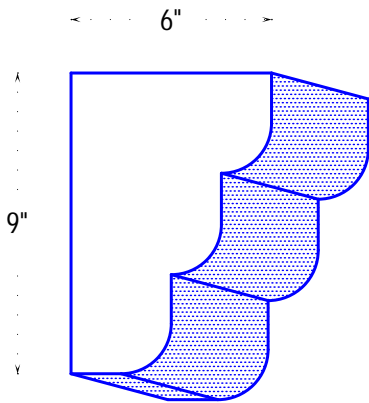
8"



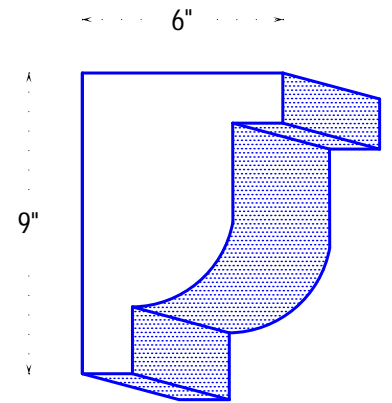
Fs 135



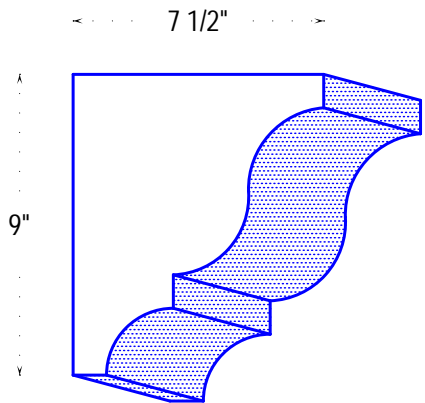
Fs 136



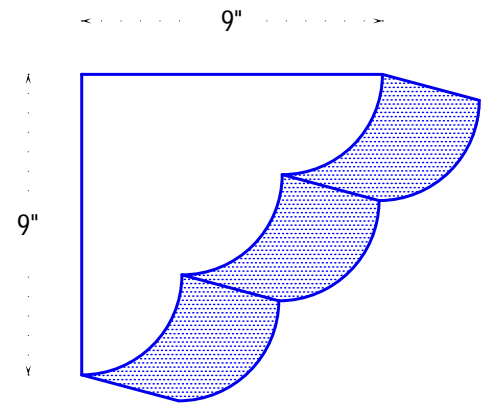
Fs 137



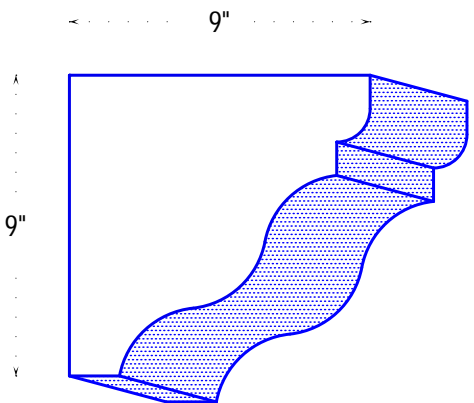
Fs 138



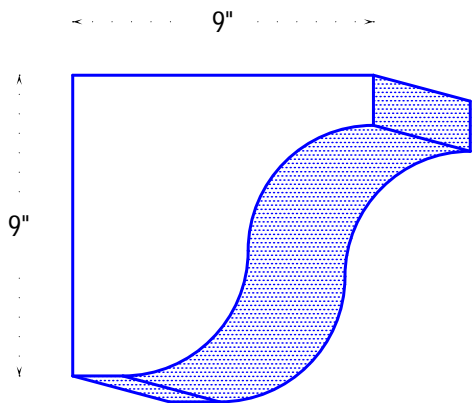
Fs 139



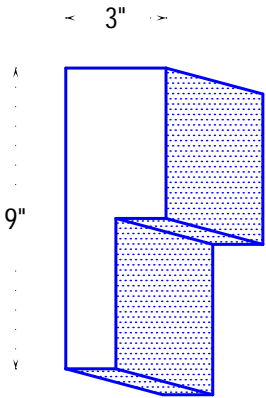
Fs 140



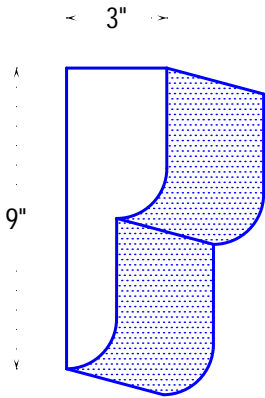
Fs 141



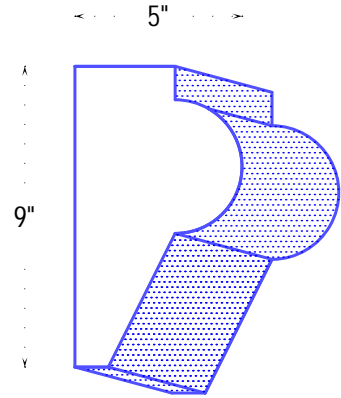
Fs 142



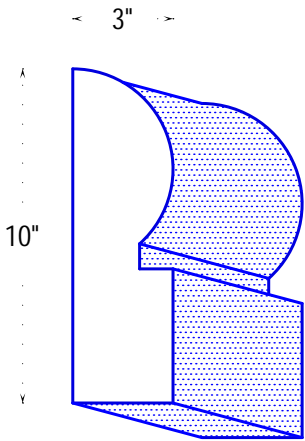
Fs 143



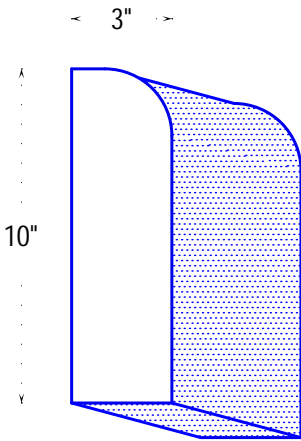
Fs 144



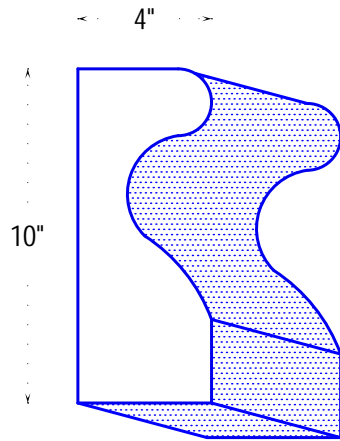
Fs 145



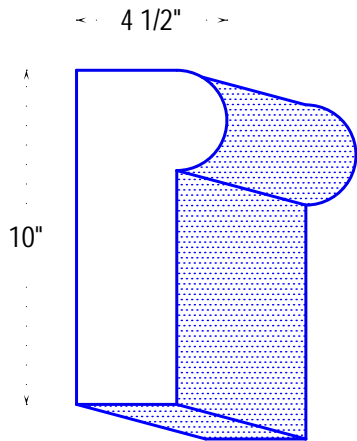
Fs 146



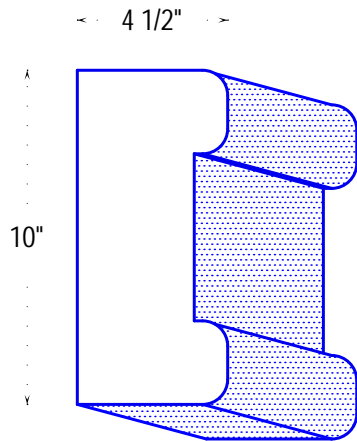
Fs 147



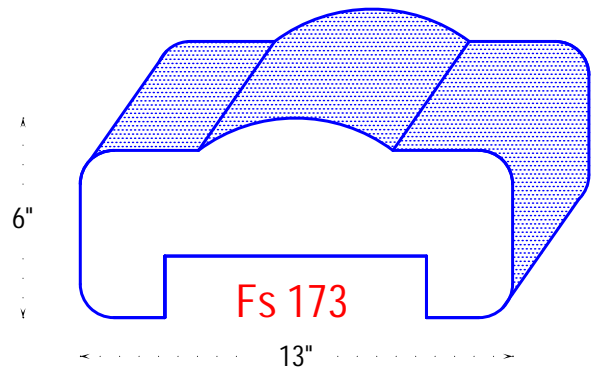
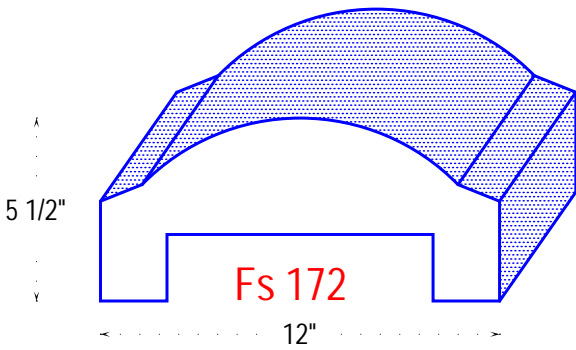
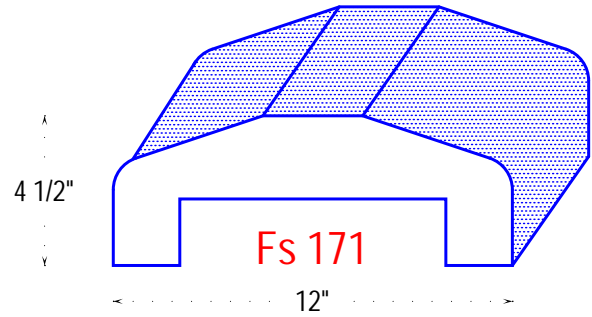
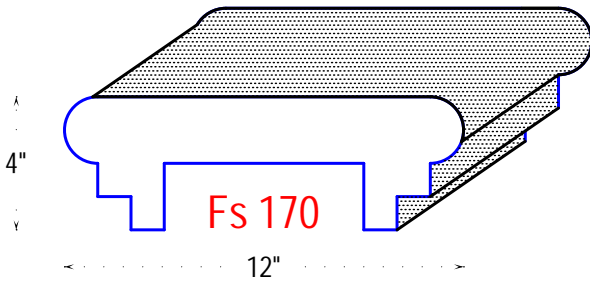
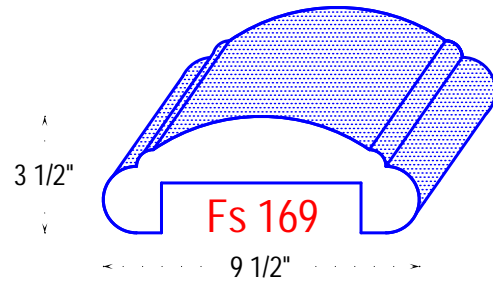
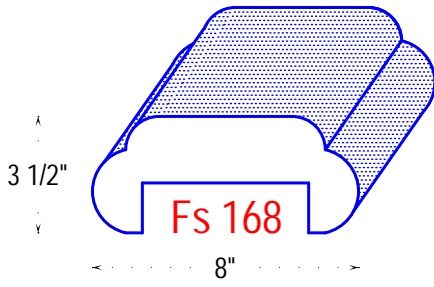
Fs 148

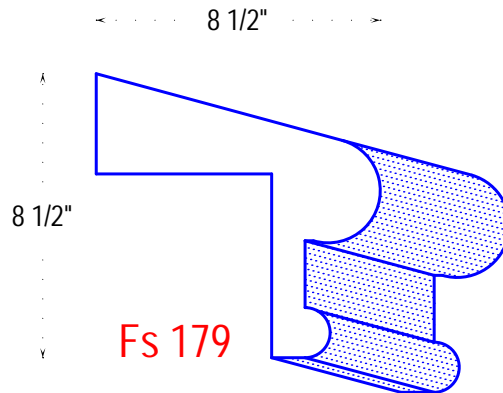
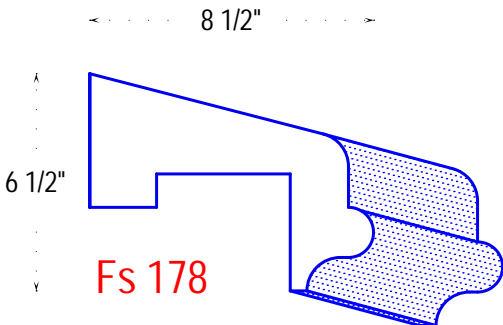
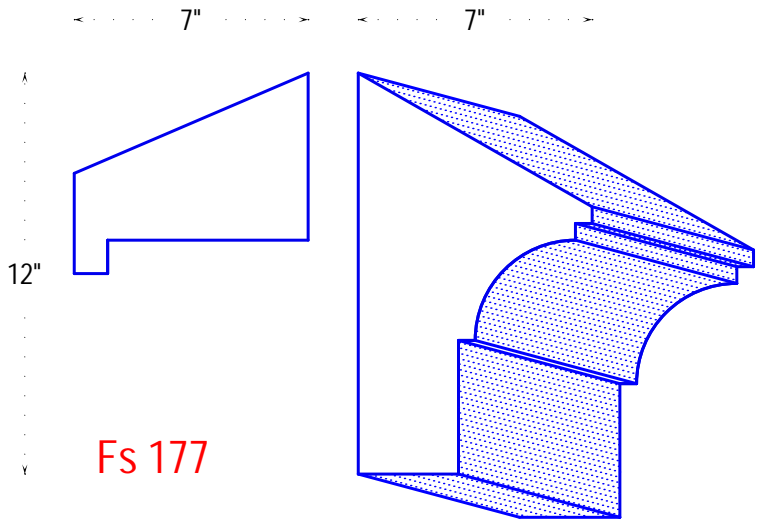
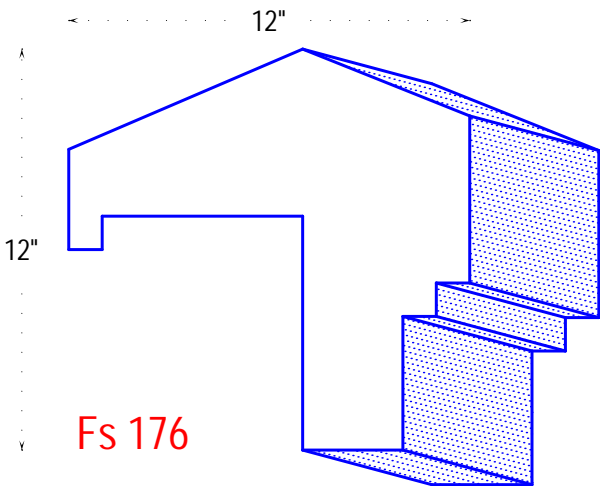
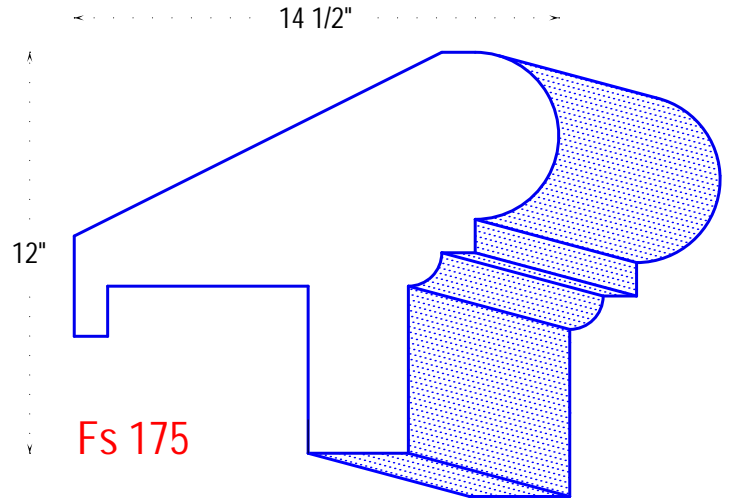
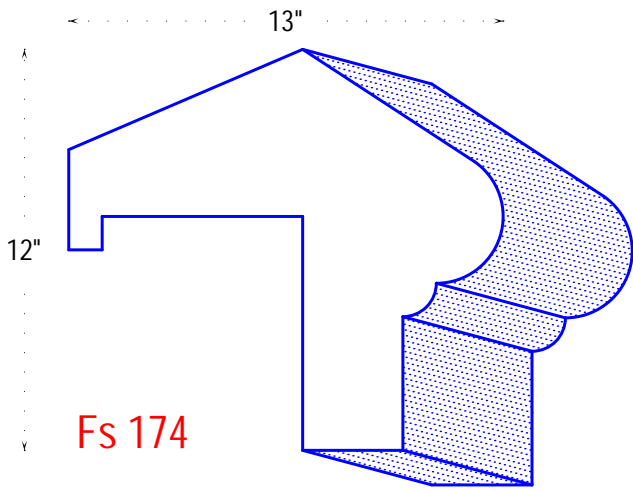


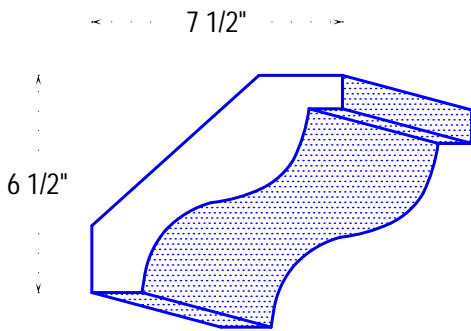
Fs 149



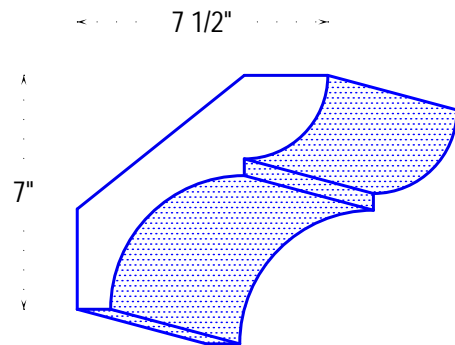
Fs 150



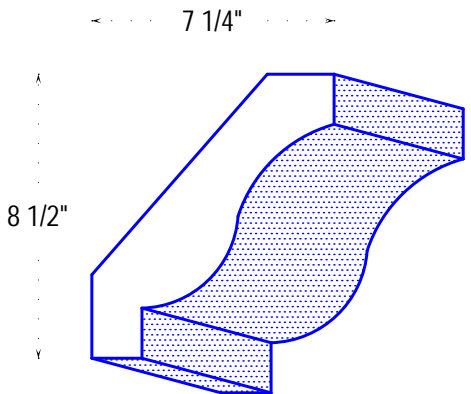




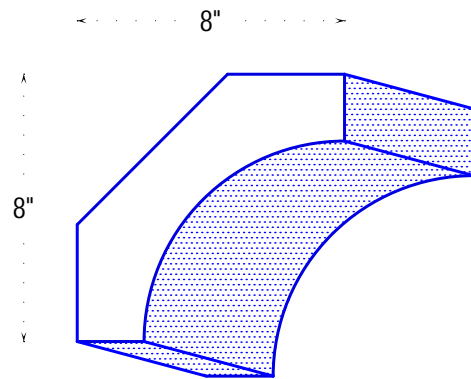
Fs 180



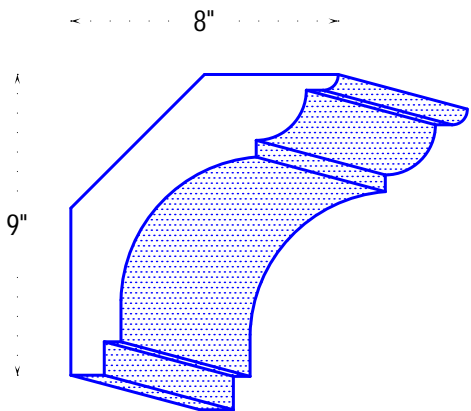
Fs 181



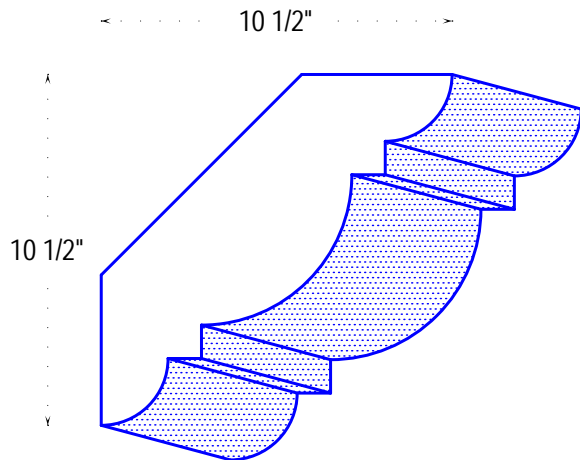
Fs 182



Fs 183

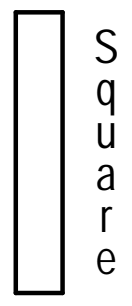
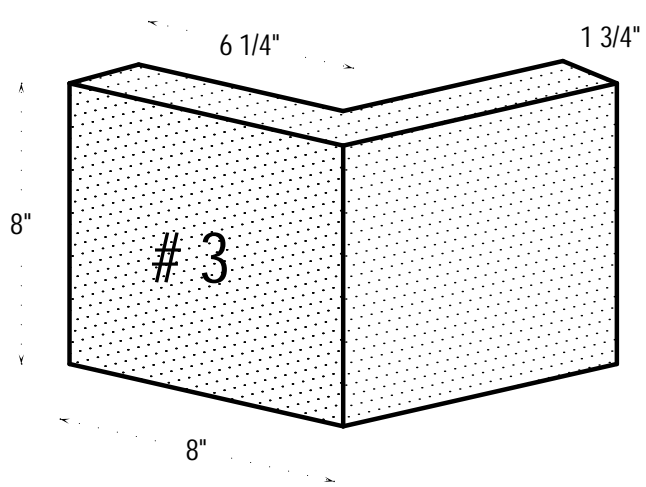
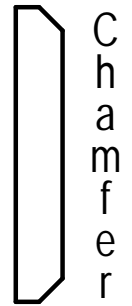
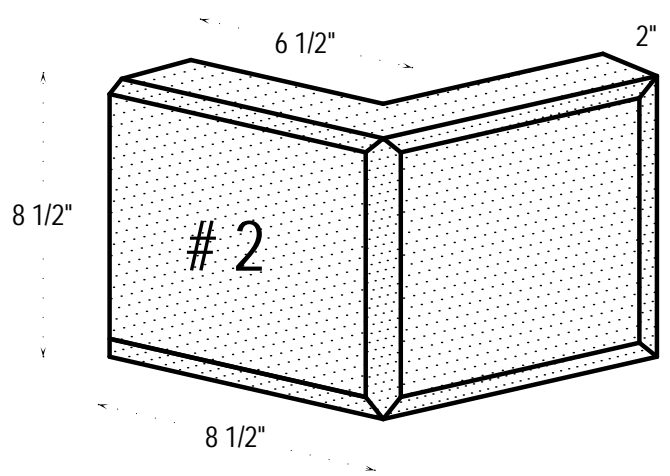
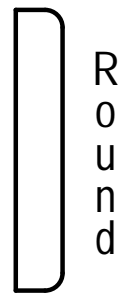
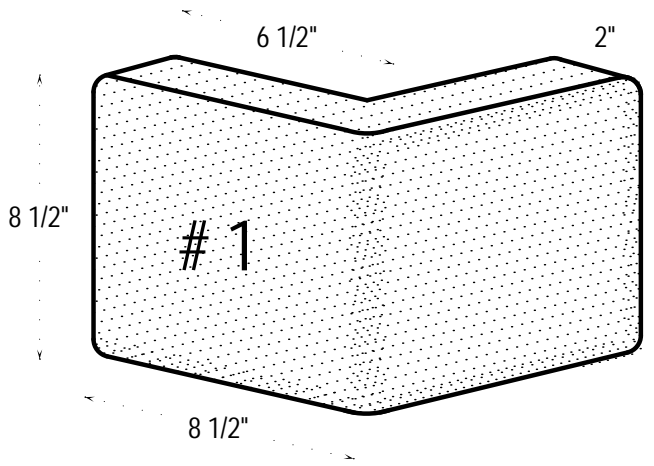


Fs 184

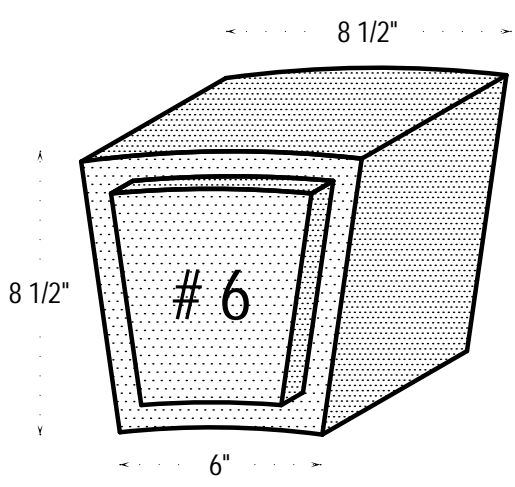
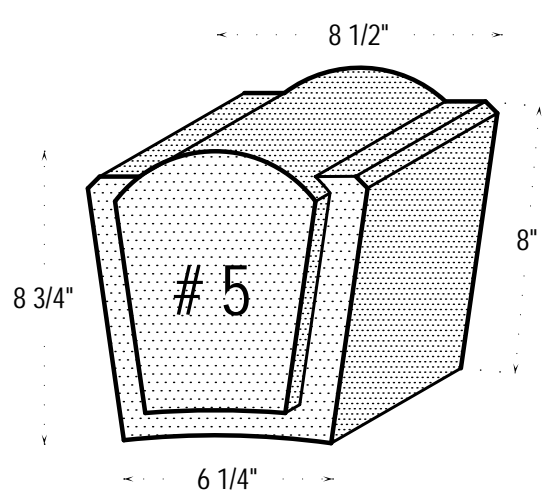
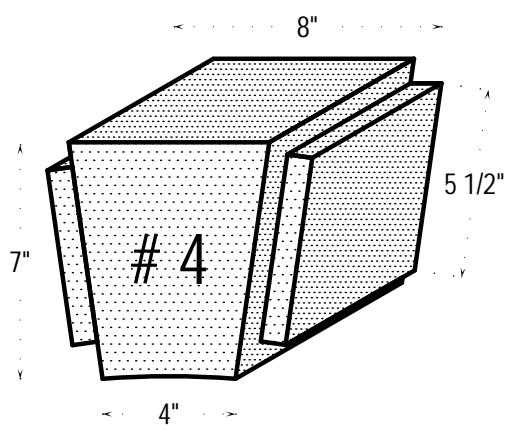
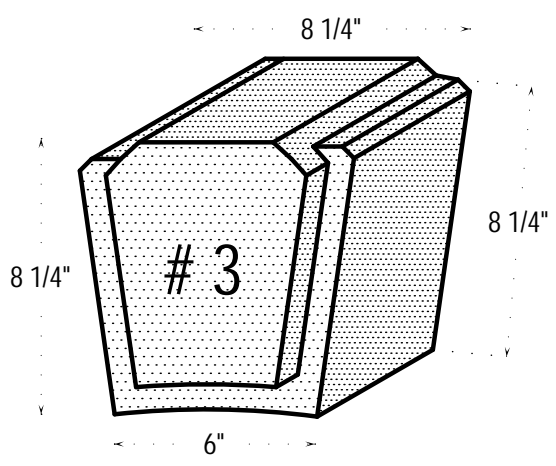
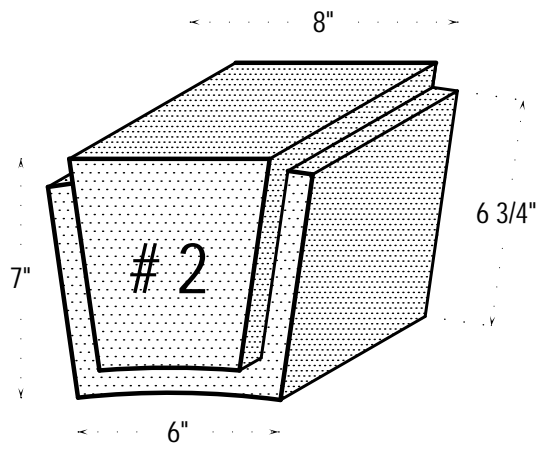
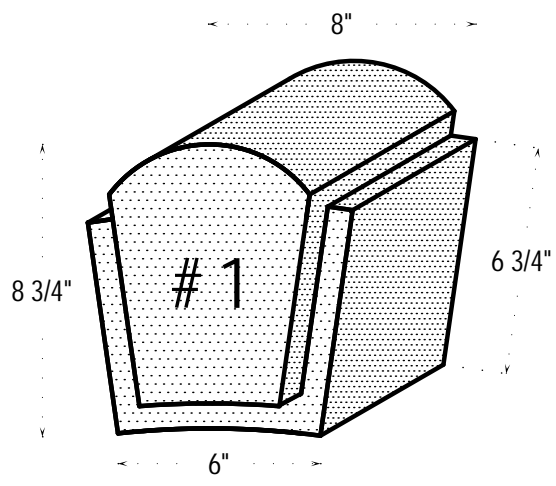


Fs 185

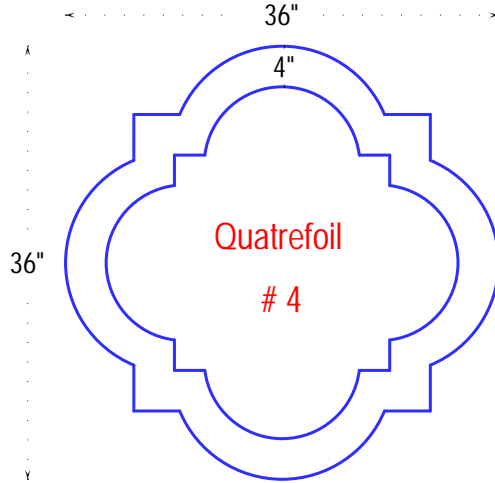
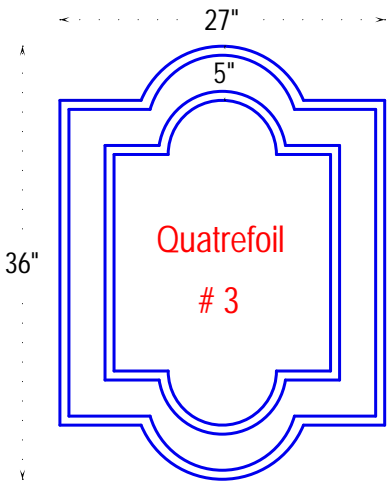
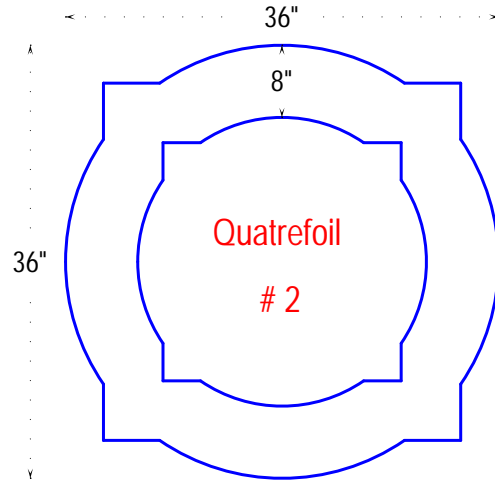
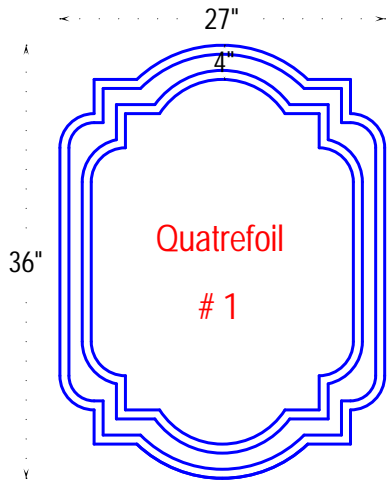
Quoins



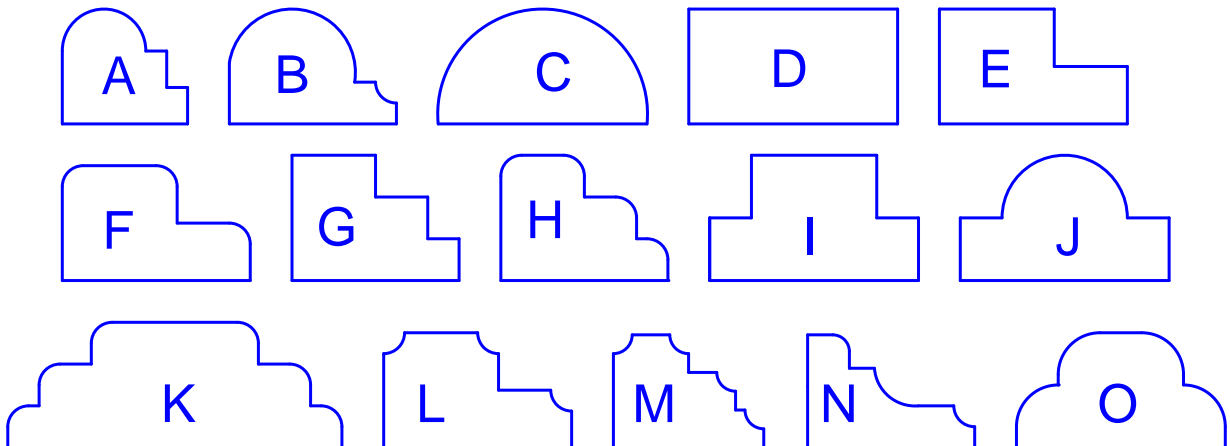
Keystones



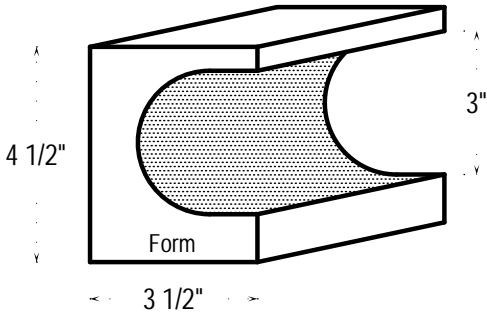
Custom sizes or shapes available on request



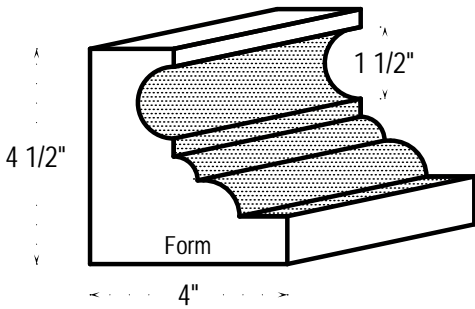
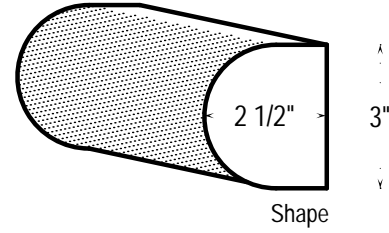
Profiles For Quatrefoils



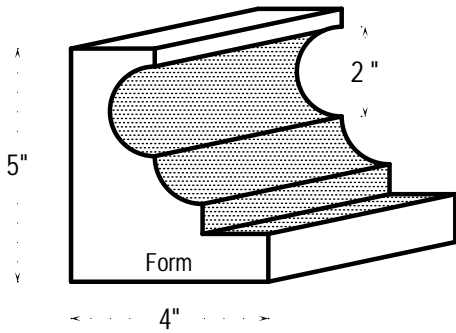
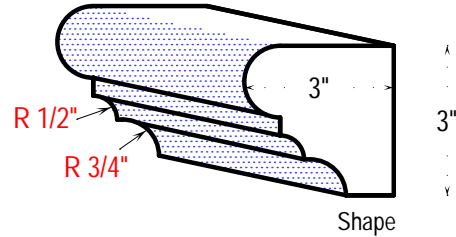
FORMS



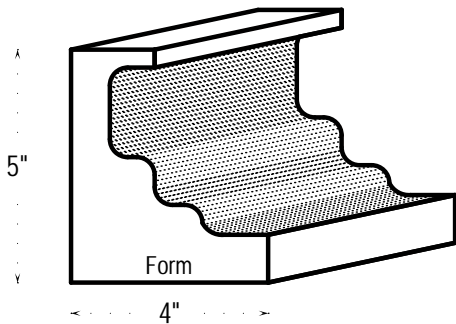
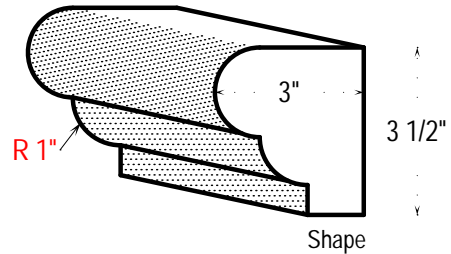
Form # 1



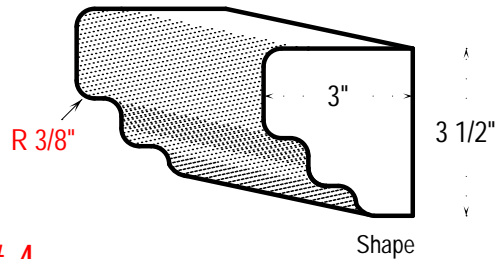
Form # 2



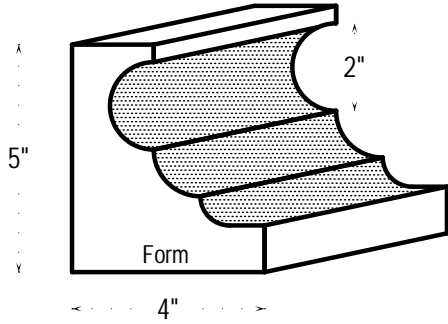
Form # 3



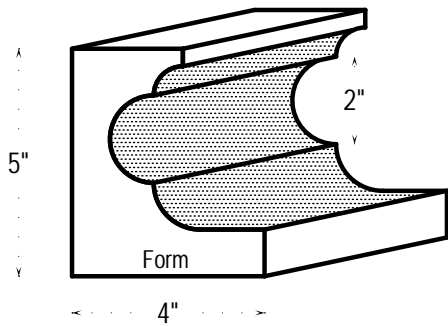
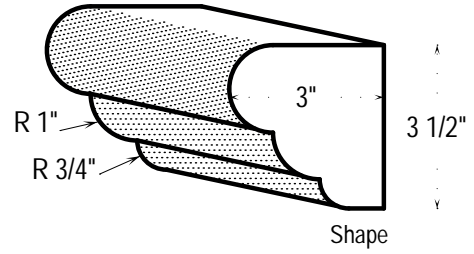
Form # 4



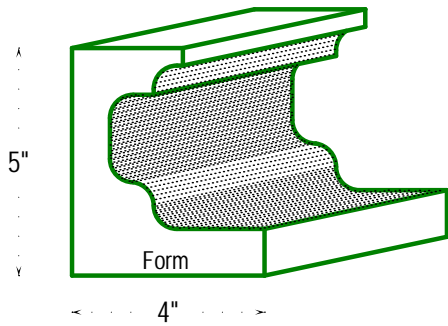
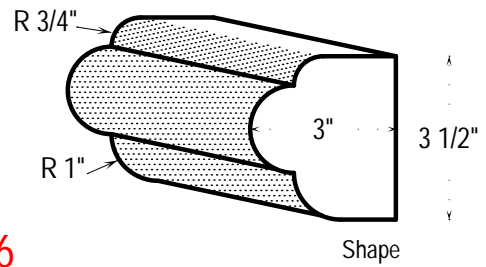
FORMS



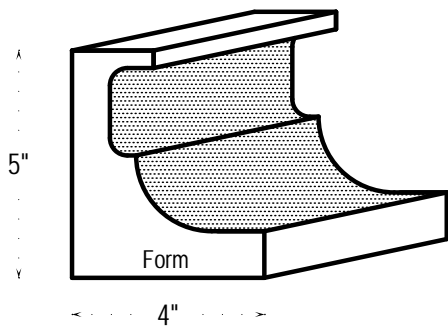
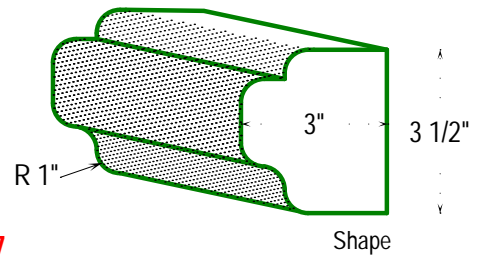
Form # 5



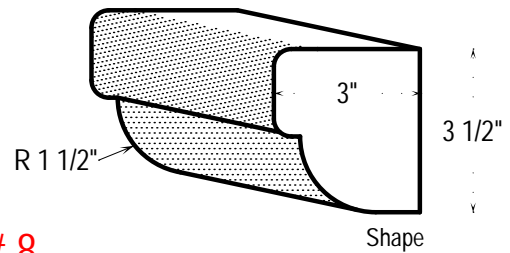
Form # 6

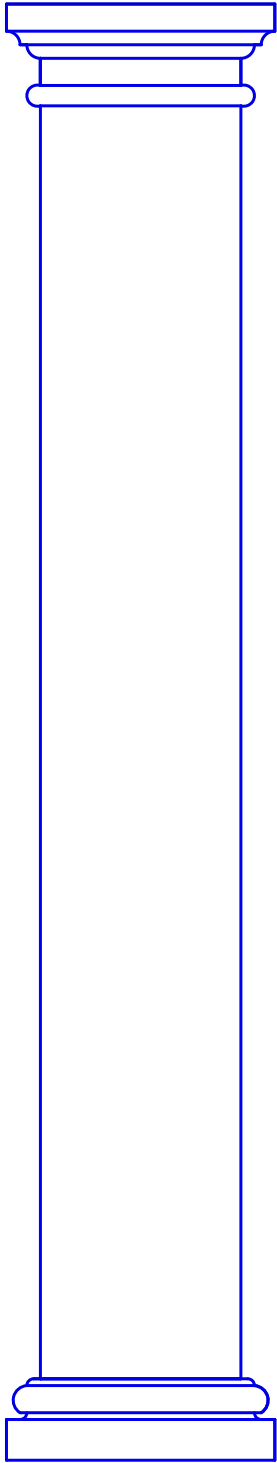


Form # 7

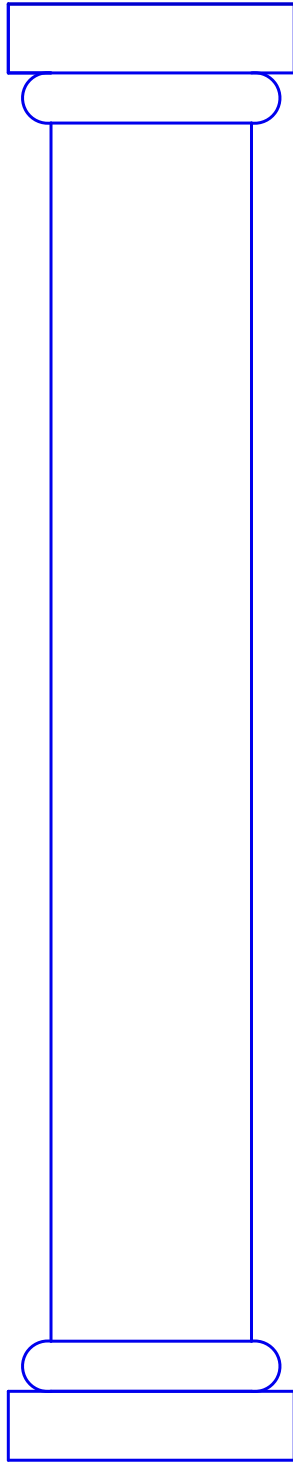


Form # 8

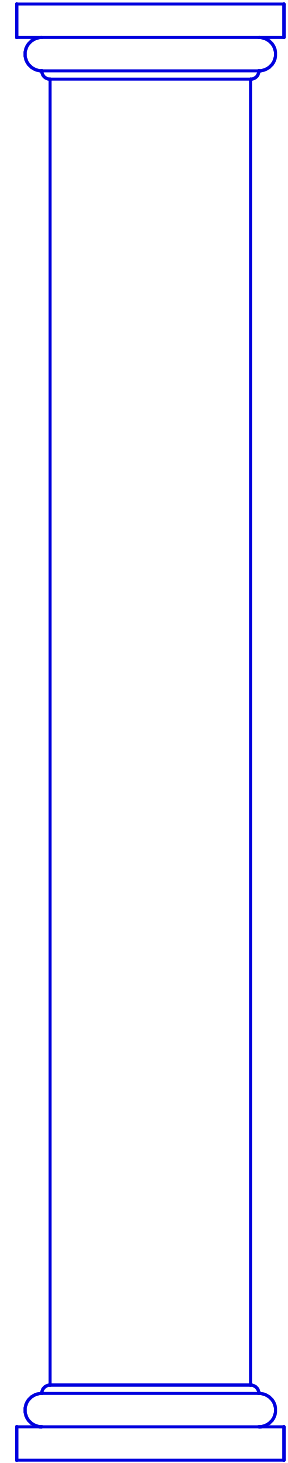




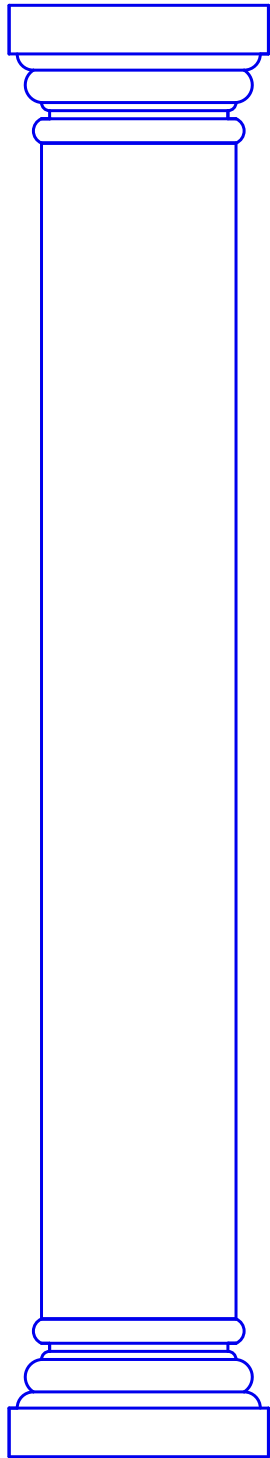
Column # 1



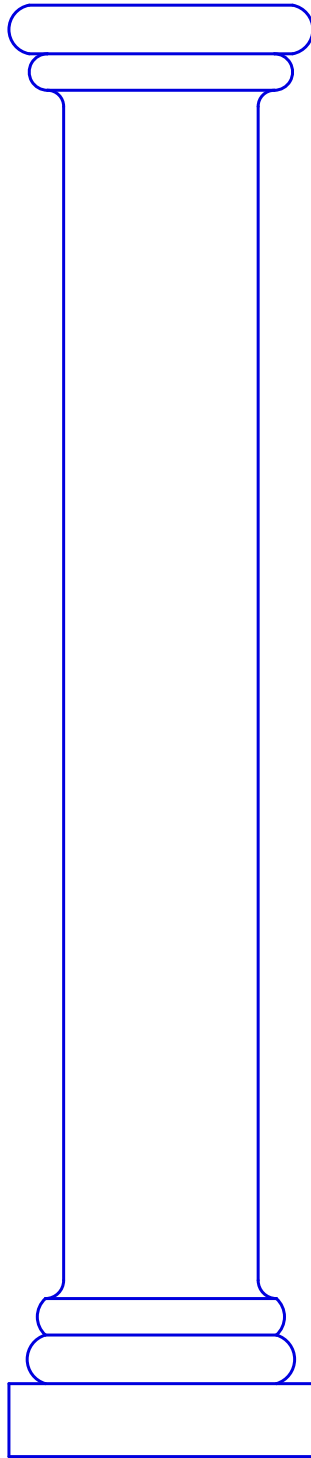
Column # 2



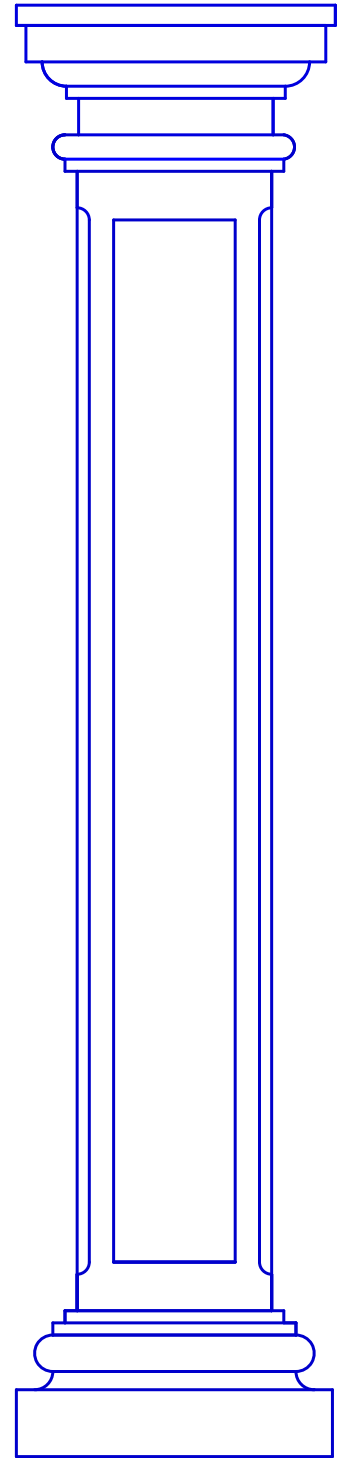
Column # 3



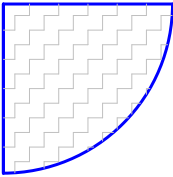
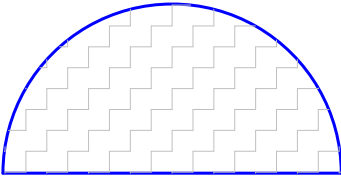
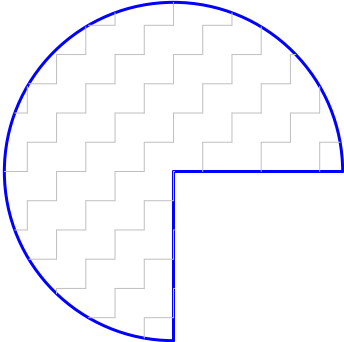
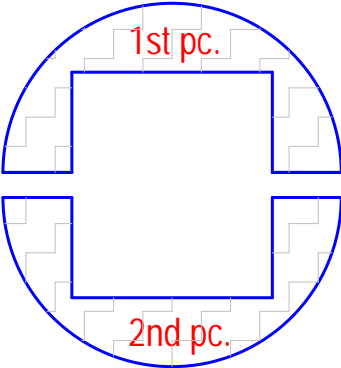
Column # 4

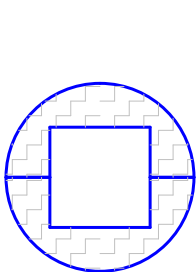


Column # 5

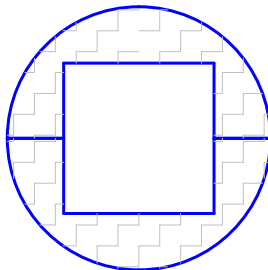


Column # 6

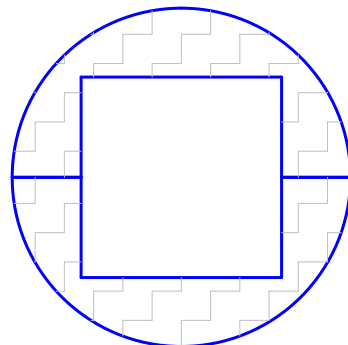
<p>"QUARTER" COLUMN used for indside corners</p> 	<p>"HALF" COLUMN placed on wall</p> 
<p>THREE QUARTER" COLUMN used for outside corner</p> 	<p>"FULL" COLUMN 2pcs. wrap post</p> 



4x4 post
requires
min. dia.
7 1/2" shaft

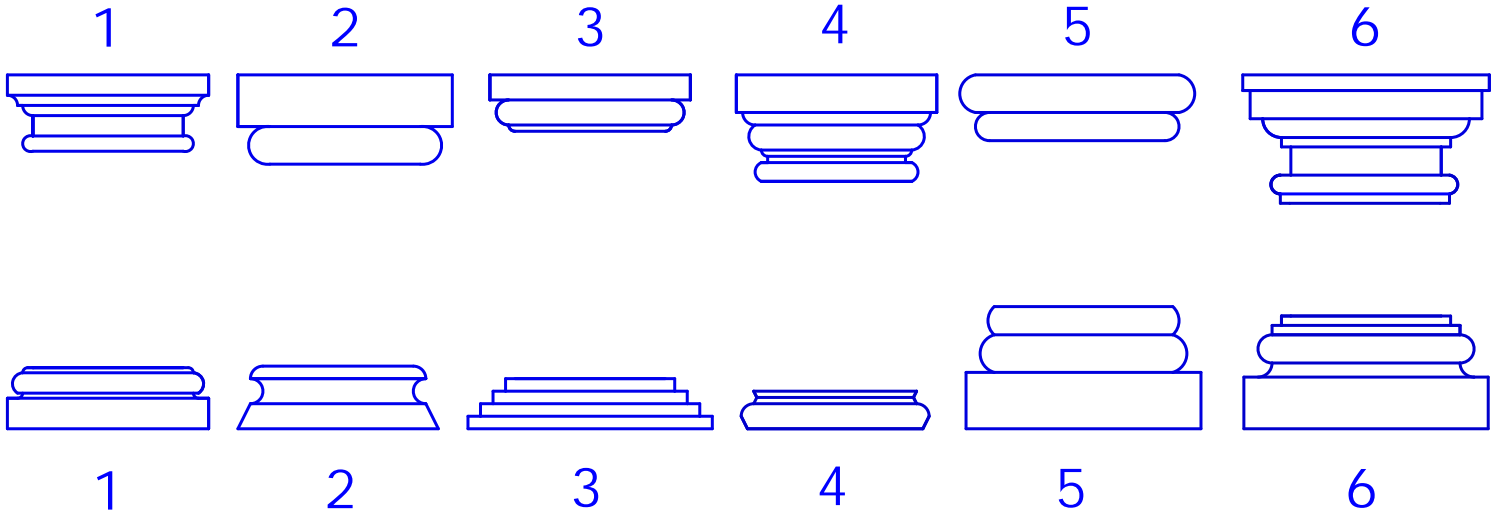


6x6 post
requires
min. dia.
10 1/2" shaft

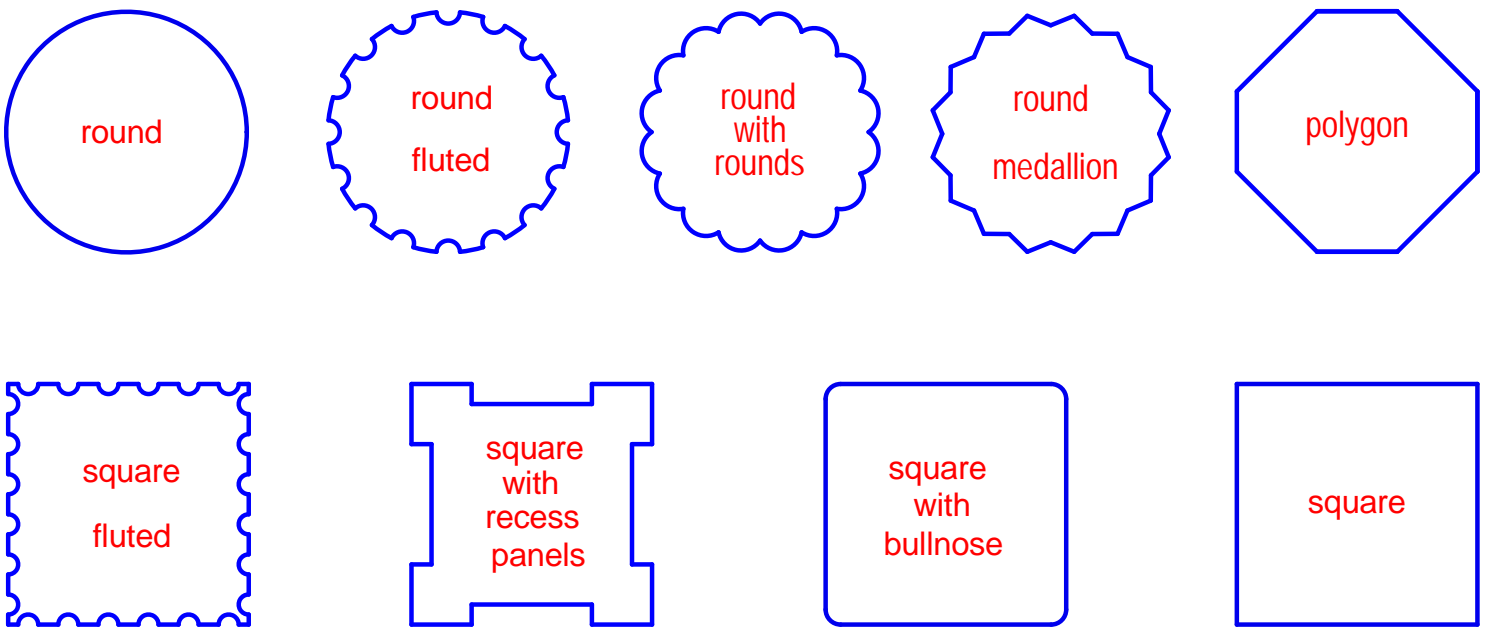


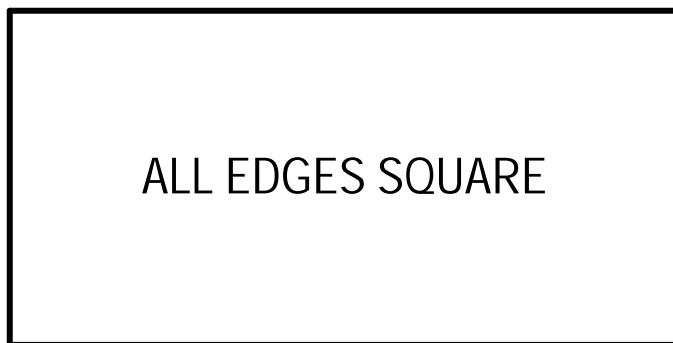
8x8 post
requires
min. dia.
13 1/2" shaft

CAPS BASES

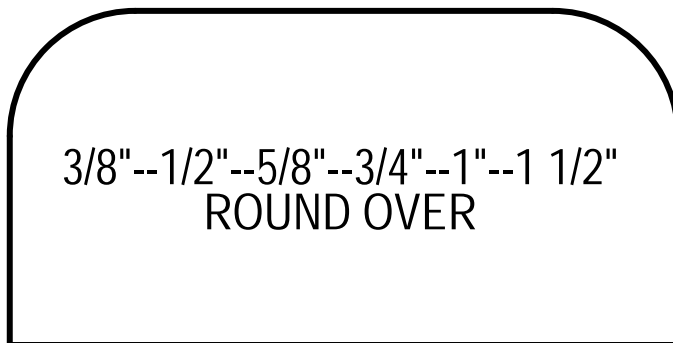


SHAFTS

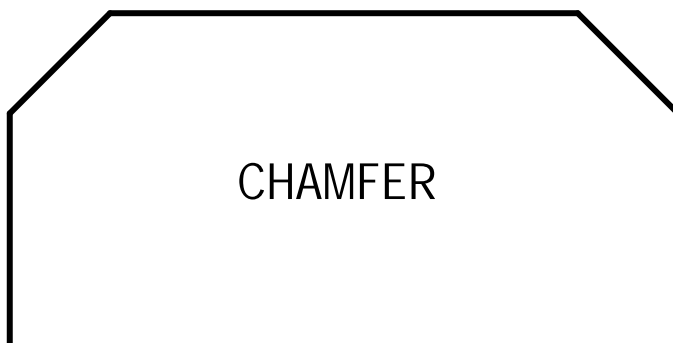




1" x your choice
 1 1/2" x 3 1/2"
 1 1/2" x 4"
 2" x 4"
 2" x 6"
 2" x 8"
 2" x your choice
 3" x your choice



1" x your choice
 1 1/2" x 3 1/2"
 1 1/2" x 4"
 2" x 4"
 2" x 6"
 2" x 8"
 2" x your choice
 3" x your choice



1" x your choice
 1 1/2" x 3 1/2"
 1 1/2" x 4"
 2" x 4"
 2" x 6"
 2" x 8"
 2" x your choice
 3" x your choice

The small list of choices above does not limit what can be cut to fit your specific requirements. Our machine is on location and most times your order can be cut while you wait.

Alphabets Fonts

ALLCAPS

ANNA

Arial

Courier

Caligraphy

Helvetica

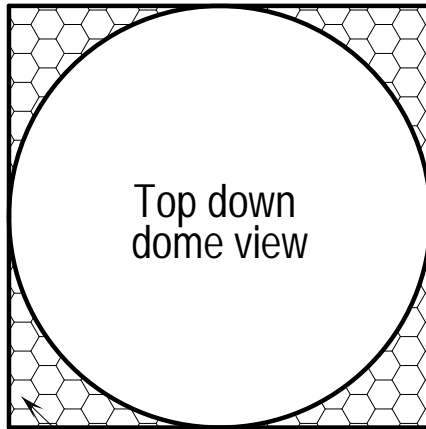
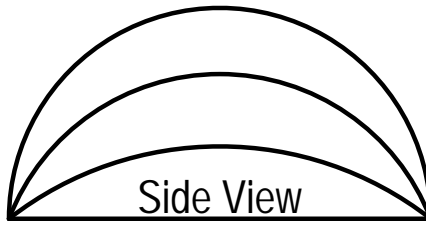
Letter

Lett_TK

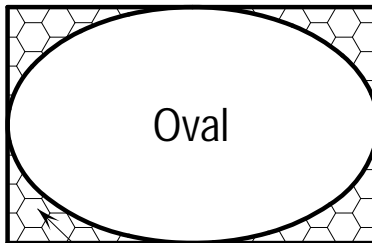
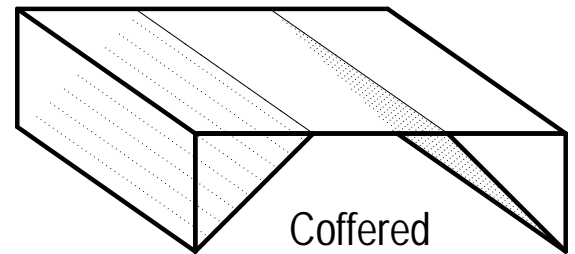
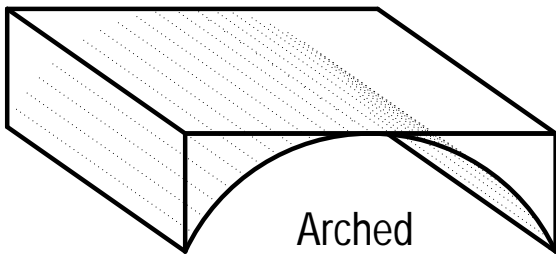
Roman

SCHOOL

From half dome to what your dimensional requirements dictate.



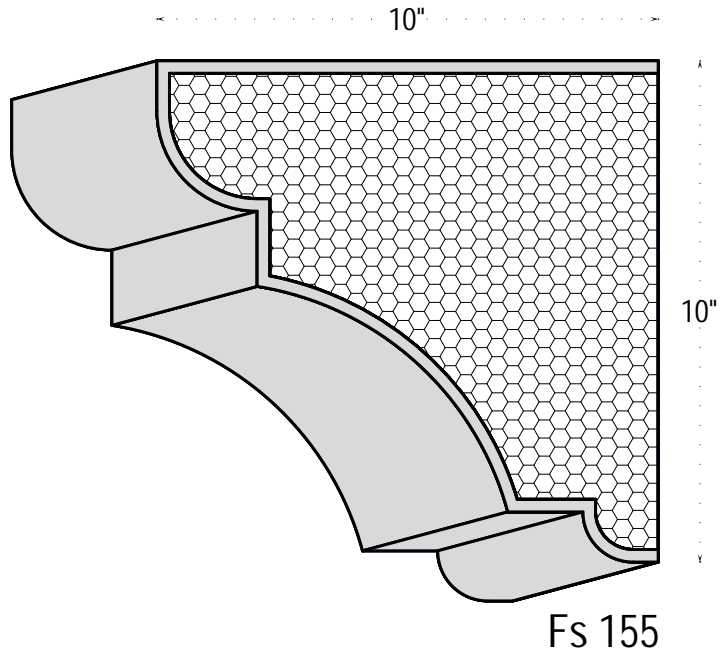
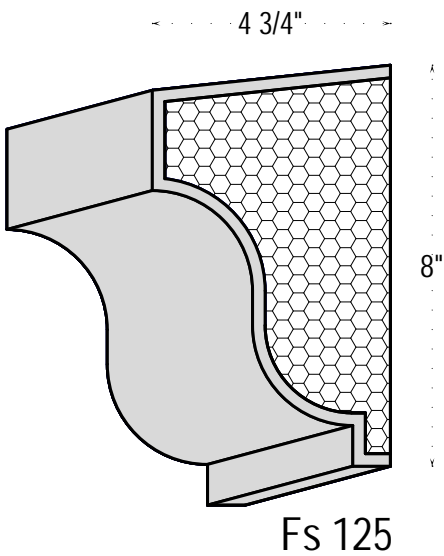
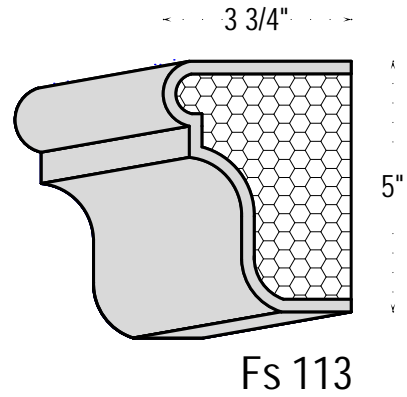
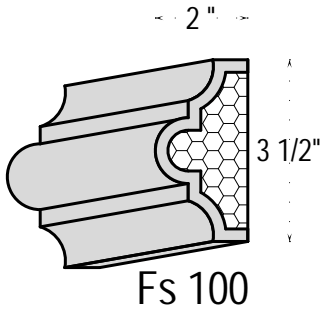
Foam fill in Corners



Foam fill in Corners

Let foam create architectural details for ceilings, hallways and door openings.

Shapes can come with coating.
 Thickness, color, smooth or rough, to meet your specific requirements.
 Our coating machine is in shop.



118 Freeway

118 Freeway

Devonshire

Nordhoff

Parthenia

Roscoe Blvd

Railroad Tracks

405 Freeway

Van Nuys Airport

BALBOA BLVD

Woodley Ave

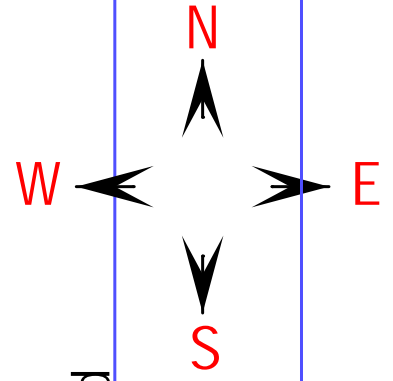
Sherman Way Blvd

Victory Blvd.

Burbank Blvd

MDC FOAM
15150 Oxnard Street
Van Nuys, CA 91411

Saticoy Ave

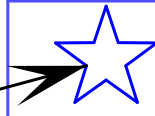


Sepulveda Blvd

Kester Ave

Van Nuys Blvd

405 Freeway



101 Freeway

101 Freeway