



Flannery, Inc.

Manufacturer of Specialty Aluminum Trims



“NO ORDINARY LIFE”

This catalog is dedicated to Flannery’s founder and owner, Barry “Bud” Rutherford who passed away on February 8, 2015. Bud began his career as a lather in Winnipeg and across Western Canada wherever work could be found. In May of 1965, Bud and his wife Arlene moved to Los Angeles, CA so that he could have the opportunity to work in the construction industry year-round. After two decades in the drywall, lath and plaster industry, Bud developed several ideas for new products and trims for drywall and plaster wall systems. In 1975, he founded Flannery, Inc. in Pacoima, CA so that he could manufacture these new products. Due to his incredible leadership and commitment to customer service, the company would grow and relocate to San Fernando, CA where it is today.

Bud truly was a remarkable man who had the unique ability of finding solutions to just about any problem one might encounter on a jobsite. Bud turned this ability of problem solving into not only a company, but a career filled with men and women that he taught and trained to succeed in the construction industry. The Flannery family is reminded daily of just how special Bud was and he is truly missed by all.









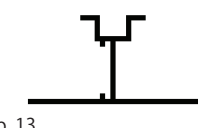
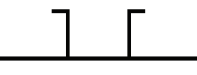
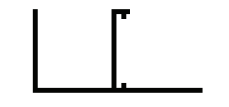

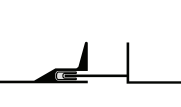

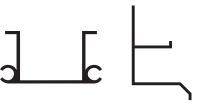
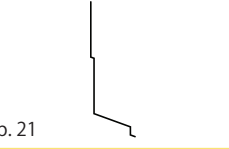
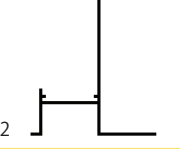
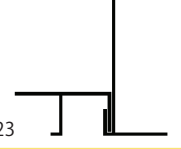
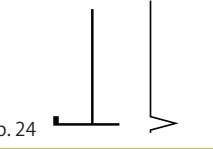
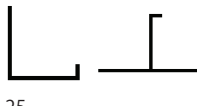
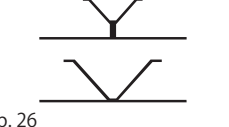
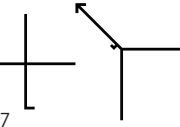
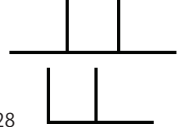
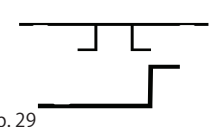

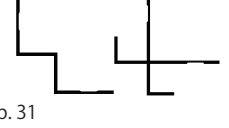
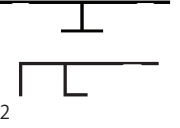
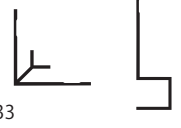


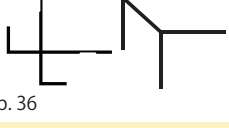
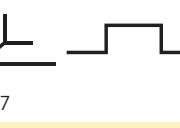
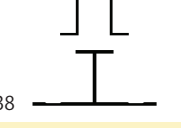

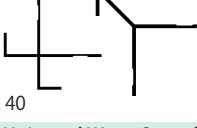
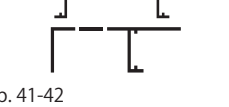
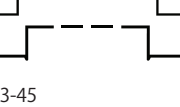
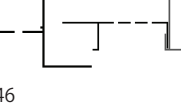
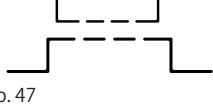

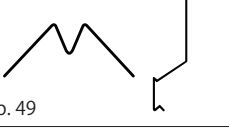
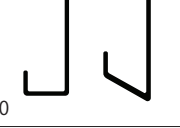
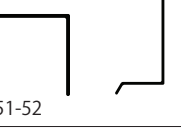

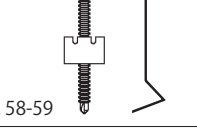


TABLE OF CONTENTS

SHAPE FINDER	1
PROJECT GALLERY	2-3
ALUMINUM DRYWALL TRIMS	4-12
Drywall Reveal (DWR).....	4-5
Drywall F Mold (DWRF).....	6
Aluminum Shadow Mold (DWSM).....	7
Drywall V Reveal (DWV).....	8
Drywall End Enclosure (DWE).....	9
Drywall L-Metal (DWL).....	9
Drywall Outside Corner (DOC).....	10
Beveled Drywall Corner (BDC).....	10
Drywall Reveal Corner (DWRW).....	11
W-Transition Mold (WTM).....	11
Drywall Ceiling Trim (DWRCT).....	12
Concealed Fastener Trim (CFT).....	12
ALUMINUM PLASTER TRIMS	13-28
Plaster Control Joint (PCS 75-25-25).....	13
Channel Screed (PCS).....	14-15
Plaster F-Mold (FPM).....	16
2-Piece Expansion Reveal (EXP).....	17
Expansion Weep (EXPW).....	18
Weeping Reveals (PCSW).....	19
No Flange Channel Screed (NF).....	20
Door & Window Drip (WD).....	20
Self-Weeping Window Drip (SWWD).....	21
Drip Screed (DS).....	22
2-Piece Drip Screed (DS).....	23
Fascia Corner Mold (FCM).....	24
Aluminum Weep (AW).....	24
J-Mold (JPM).....	25
T-Mold (TPM).....	25
Deep V-Reveal (DV).....	26
Short V-Reveal (SV).....	26
X-Mold (XPM).....	27
Plaster Corner Mold (PCM).....	27
Smooth Finish Channel (SFC).....	28
Smooth Finish F-Mold (SFF).....	28
CEMENT PANEL TRIMS	29-33
Cement Panel Screed (CPS).....	29
Cement Panel Z-Flash (CPZ).....	29
Cement Panel J-Mold (CPJ).....	30
Cement Panel Drip Cap (CPD).....	30
Cement Panel W-Mold (CPW).....	31
Cement Panel X-Mold (CPX).....	31
Cement Panel H-Mold (CPH).....	32
Cement Panel F-Mold (CPF).....	32
Cement Panel Inside Corner (CPIC).....	33
Cement Panel Base Mold (CPB).....	33
TRUGRAIN MADE WITH RESYSTA SIDING TRIMS	34-37
Siding Starter Strip (SJS).....	34
Siding J-Mold (SJM).....	35

Siding H-Mold (SHM).....	35
Siding X-Mold (SXM).....	36
Siding Outside Corner (SOC).....	36
Siding Inside Corner (SIC).....	37
Aluminum Furring Strip (FUR).....	37
WOOD PANEL TRIMS	38-40
Wood Panel Reveal (WPR).....	38
Wood Panel H-Mold (WPH).....	38
Wood Panel J-Mold (WPJ).....	39
Wood Panel Inside Corner (WPIC).....	39
Wood Panel Outside Corner (WPOC).....	40
Wood Panel X-Mold (WPX).....	40
CONTINUOUS SOFFIT VENTILATION	41-46
Channel Screed Vent (PCS).....	41
Plaster F-Mold Vent (FPM).....	42
Smooth Finish E.I.F.S. Vent (SFEV).....	43
Direct Application E.I.F.S. Vent (DWR).....	44
Direct Application F-Mold Vent (DWRF).....	45
Plaster T-Mold Vent (TPM).....	45
Drip Screed Vent (DS).....	46
2-Piece Drip Screed Vent (DS).....	46
BRAKE SHAPES	47-52
Hat Channel Vent (HCV).....	47
Plain Edge Vent (PEV).....	47
Universal Weep Screed (UWS).....	48
Standard Weep Screed (SWS).....	48
Plaster Inside Corner (PIC).....	49
#2 Drip Edge (#2DE).....	49
Brake J-Stop (BJS).....	50
Brake Beveled J-Stop (BBJ).....	50
Brake Angle (BAT).....	51
Brake Z-Trim (BZT).....	51
Brake W-Mold (BWM).....	52
Brake Drip Stop (BDS).....	52
STEEL PRODUCTS	53-57
Bullnose Corners.....	53
Splay Bullnose & Bullnose Corner Cap.....	54
Bullnose Kerf Trim & Door and Window Trim.....	55
Steel Shadow Mold.....	56
Steel Fast Mask.....	56
Comp Clip.....	57
VINYL PRODUCTS	58-59
Bullnose Trowel & Bullnose Base Plug.....	58
Furring Screws & Universal Weep Screed.....	59
FACTORY FINISHES	60
MANUFACTURER'S SPECIFICATIONS	61-63

This catalog presents general guidelines and suggestions for the installation of Flannery trims and products. The purpose of these general guidelines and suggestions is to aid in a successful interior or exterior finish based on the Uniform Building Code and industry standards. No one catalog can address all of the unique specifics or installation details that occur from one project to another. Flannery recommends that every installer be familiar, to become acquainted with, common interior or exterior trim installation practices before installing any of Flannery's many trims and products. Flannery also recommends that the specifying architect, engineer, and general contractor be consulted with as well. This catalog replaces and renders obsolete all previous publications by Flannery; including catalogs, pamphlets, or other forms of literature.

<p>Drywall Reveal</p>  <p>p. 4-5</p>	<p>Drywall F-Mold</p>  <p>p. 6</p>	<p>Shadow Mold</p>  <p>p. 7</p>	<p>Drywall V-Reveals</p>  <p>p. 8</p>	<p>Drywall End Cap & L</p>  <p>p. 9</p>
<p>Drywall Corner Molds</p>  <p>p. 10</p>	<p>Drywall W-Molds</p>  <p>p. 11</p>	<p>Drywall Ceiling & Concealed Fastener Trim</p>  <p>p. 12</p>	<p>Plaster Control Joint</p>  <p>p. 13</p>	<p>Plaster Channel Screed</p>  <p>p. 14-15</p>
<p>Plaster F-Mold</p>  <p>p. 16</p>	<p>2-Piece Expansion Reveal</p>  <p>p. 17</p>	<p>Expansion Weep</p>  <p>p. 18</p>	<p>Weeping Reveals</p>  <p>p. 19</p>	<p>No Flange Channel & Window Drip Cap</p>  <p>p. 20</p>
<p>Self-Weeping Window Drip</p>  <p>p. 21</p>	<p>Drip Screed</p>  <p>p. 22</p>	<p>2-Piece Drip Screed</p>  <p>p. 23</p>	<p>Fascia Corner Mold & Aluminum Weep</p>  <p>p. 24</p>	<p>Plaster J-Mold & T-Mold</p>  <p>p. 25</p>
<p>Plaster V-Reveals</p>  <p>p. 26</p>	<p>X-Mold & Corner Mold</p>  <p>p. 27</p>	<p>Smooth Finish Trims</p>  <p>p. 28</p>	<p>Cement Panel Screed & Z-Flash</p>  <p>p. 29</p>	<p>Cement Panel J-Mold & Drip Cap</p>  <p>p. 30</p>
<p>Cement Panel W-Mold & X-Mold</p>  <p>p. 31</p>	<p>Cement Panel H-Mold & F-Mold</p>  <p>p. 32</p>	<p>Cement Panel Inside Corner & Base Mold</p>  <p>p. 33</p>	<p>Siding Starter Strip</p>  <p>p. 34</p>	<p>Siding J-Mold & Siding H-Mold</p>  <p>p. 35</p>
<p>Siding X-Mold & Siding Outside Corner</p>  <p>p. 36</p>	<p>Siding Inside Corner & Aluminum Furring Strip</p>  <p>p. 37</p>	<p>Wood Panel Reveal & H-Mold</p>  <p>p. 38</p>	<p>Wood Panel J-Mold & Inside Corner Trim</p>  <p>p. 39</p>	<p>Wood Panel X-Mold & Outside Corner Trim</p>  <p>p. 40</p>
<p>Plaster Vents</p>  <p>p. 41-42</p>	<p>EIFS Vents</p>  <p>p. 43-45</p>	<p>Drip Screed Vents</p>  <p>p. 46</p>	<p>Brake Shape Vents</p>  <p>p. 47</p>	<p>Universal Weep Screed & Standard Weep Screed</p>  <p>p. 48</p>
<p>Plaster Inside Corner & #2 Drip Edge</p>  <p>p. 49</p>	<p>Brake J-Stop & Brake Beveled J-Stop</p>  <p>p. 50</p>	<p>Brake Angles</p>  <p>p. 51-52</p>	<p>Steel Drywall Trims</p>  <p>p. 53-57</p>	<p>Vinyl Products</p>  <p>p. 58-59</p>



WRIGLEY TERRACE HOME

Catalina Island, California, USA

Completed: Summer 2015

Featured Trims: Flannery's TruGrain Siding Trims

Project Description

Fine Line Construction of Catalina Island recently completed a full remodel and expansion of a private residence located just down the street from the Wrigley Mansion on Catalina Island off of the coast of California. The panoramic view from the home showcases Catalina's harbor and its most recognizable landmark, the World Famous Catalina Casino.

Due to the picturesque location of the home, it was important that the exterior of the home not only stand out, but also be able to withstand the external forces associated with its proximity to the ocean. Flannery's TruGrain Siding Trims along with TruGrain made with Resysta siding was utilized on the exterior of the home. The exclusive mix of materials in TruGrain's siding gives it the highest possible rating against decay and moisture making it the perfect choice for the Catalina residence.

Flannery's Siding Trims were factory painted with a custom color that was matched to the stain of the siding chosen by the architect. Flannery worked closely with Fine Line to assist them in manufacturing a custom vent trim to enhance the siding system's built in rain screen. Flannery's Trims in conjunction with TruGrain siding and the excellent craftsmanship of Fine Line Construction enhanced the beauty of Catalina Island through the reconstruction of this private residence.



ADVENTIST HEALTH'S HANFORD FAMILY BIRTHING CENTER

Hanford, California, USA

Completed: Spring 2015

Featured Trims: Plaster Channel Scream, Expansion Reveal & Soffit Vent

Project Description

Adventist Health's Hanford Family Birthing Center is a state of the art 49,000-square-foot facility built adjacent to the Adventist Medical Center in Hanford, California. The new facility will replace Central Valley General Hospital's birthing center. The \$40 million project features 34 private beds, 2 operating rooms and 6 neonatal intensive care beds. The facility also features separate Caesarean operating rooms as well as top of the line equipment and technology. Approximately 2,000 babies are born in Hanford each year with an average of 6 births per day. With that kind of "growth" it was time for an upgrade in Hanford.

The architect used Flannery's Plaster Channel Screeds to break up the smooth finish plaster on the exterior of the facility. Flannery shipped over 6,000 lineal feet of 3/4" Channel Scream along with over 1,500 lineal feet of 2-pc. Expansion Reveal. On the soffits of the building, Flannery provided 1,500 lineal feet of Drip Scream (DS 875) and 1,000 lineal feet of 1" Soffit Vent (PCS 75-V-100). Flannery was pleased to supply Tarlton and Sons all of the aluminum trims for the building through Calply Building Materials in Fresno.



ALASKA AIRLINES CENTER

Anchorage, Alaska, USA

Completed: Fall 2014

Featured Trims: Millwork Panel Trims

Project Description

The Alaska Airlines Center is the new home for the sports teams of the University of Alaska in Anchorage. The \$109 million project will serve as a venue for sporting events, concerts and other entertainment events. This state of the art venue boasts a 5,000 seat athletic arena, medical suites and indoor training facilities for the college.

Flannery worked closely with J.R. Heritage Construction, a millwork company in Anchorage, to provide custom fitted trims for the thicker wood panels that the architect specified on the interior of the arena. Flannery developed three new dies of our Wood Panel Trims to accommodate the different size panel. At the request of J.R. Heritage we also provided our trims in custom lengths to accommodate the high walls of the arena and to minimize unnecessary butt joints.

Flannery supplied 6,700 linear feet of our Wood Panel Reveal (WPR) along with over 7,000 linear feet of the Wood Panel J-Mold (WPJ) and Wood Panel Outside Corner (WPOC). Our Wood Panel Trims can be seen in the stadium's box office as well as on the walls surrounding the gymnasium. The designer chose a clear anodized finish for our trims which accentuated the light wood panels perfectly and really enabled them to stand out.



SUNSET MAGAZINE IDEA HOUSE

Manhattan Beach, California, USA

Completed: Fall 2013

Featured Trims: Drywall Shadow Mold

Project Description

The 2014 Sunset Idea house is located about 20 minutes from Los Angeles in the exclusive neighborhood of Manhattan Beach, CA. Sunset Magazine editors along with local architect Louie Tomaro and G9 Development teamed up with local designers and contractors to create a modern beach house that incorporated the latest architectural design concepts. Sunset is a lifestyle brand showcasing all of the latest trends in the Western U.S through their magazine, website and various publications.

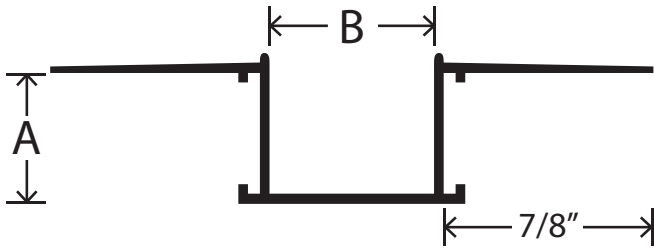
Sunset Magazine tapped Bill Davis Drywall, led by President Bill Davis, a leading drywall contractor in Southern California to install and finish the interior walls of the home. Davis having worked with Flannery in the past knew that Flannery's Drywall Shadow Mold was the perfect additive to achieve the home's minimalist design. The home's design was inspired by a clean European design approach and is evident throughout the home by the way Davis utilized Flannery's Shadow Molds at the base of the interior walls to eliminate the formality of traditional baseboards.

Flannery was proud to supply all of the drywall trims for the project to Bill Davis Drywall through Foundation-Great Western Building Materials in Oxnard. Flannery's Drywall Shadow Mold, also known as Z-Metal, was utilized in virtually every room of the 4,500 square foot home including the stairway leading to the second floor of the home. Flannery's Drywall Shadow Mold has become the new trend in drywall by how it creates a unique and timeless design accessory to interior walls.



DRYWALL REVEAL

Product Detail



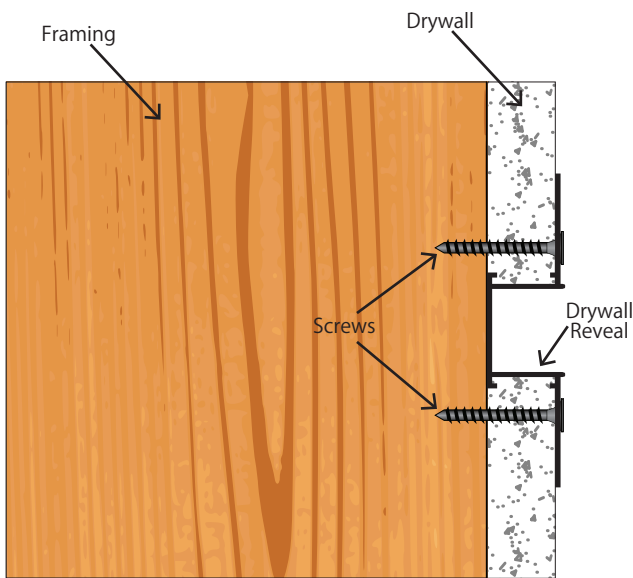
Trim Purpose

Flannery's Drywall Reveals create an aesthetic division between drywall panels on vertical walls and ceilings. Drywall Reveals can be used to create horizontal or vertical lines and can intersect cleanly where desired. Flannery offers many of its Drywall Reveals with Aluminum Alignment Splices to ease the installation process and create crisp and clean butt joints and lines.

Manufacturer's Specifications

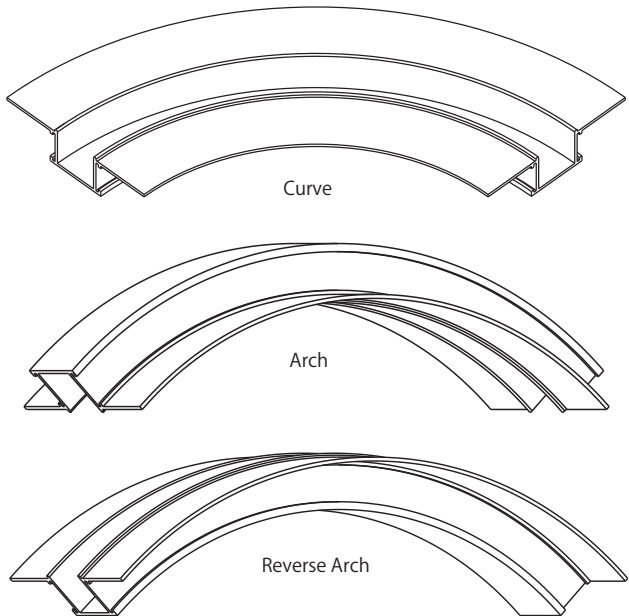
Drywall Reveals are standard extruded aluminum alloy 6063 T5 and are .050" thick. Flannery's Drywall Reveals come in 10' lengths and shall have a standard Mill Finish for field priming and painting unless specified otherwise. Clear Anodized and Chem-film finishes, as well as other factory finishes and custom paint orders are available. See page 60 for Factory Finishes.

Attach Drywall Reveals through the taping flange to the drywall and framing with nails, screws, or other approved fastening methods. All reveals must be cut accurately and installed with tight, neat joints. See page 44 for venting options of the Drywall Reveal.



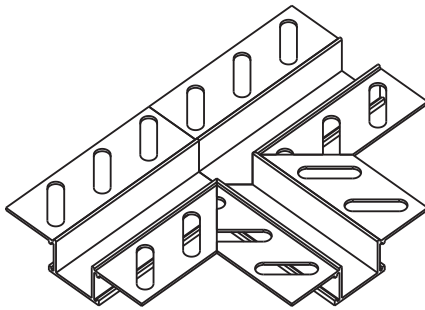
Part No.	"A" Depth	"B" Width	Alignment Splices	Venting Available
DWR 375-375	3/8"	3/8"	N/A	N/A
DWR 50-125	1/2"	1/8"	N/A	N/A
DWR 50-25	1/2"	1/4"	Yes	N/A
DWR 50-375	1/2"	3/8"	Yes	N/A
DWR 50-50	1/2"	1/2"	Yes	Yes
DWR 50-75	1/2"	3/4"	Yes	Yes
DWR 50-100	1/2"	1"	Yes	Yes
DWR 50-150	1/2"	1 1/2"	Yes	Yes
DWR 50-200	1/2"	2"	Yes	Yes
DWR 50-300	1/2"	3"	N/A	Yes
DWR 50-600	1/2"	6"	N/A	Yes
DWR 625-25	5/8"	1/4"	Yes	N/A
DWR 625-375	5/8"	3/8"	Yes	N/A
DWR 625-50	5/8"	1/2"	Yes	Yes
DWR 625-625	5/8"	5/8"	Yes	Yes
DWR 625-75	5/8"	3/4"	Yes	Yes
DWR 625-100	5/8"	1"	Yes	Yes
DWR 625-150	5/8"	1 1/2"	Yes	Yes
DWR 625-200	5/8"	2"	Yes	Yes
DWR 625-300	5/8"	3"	Yes	Yes
DWR 625-400	5/8"	4"	Yes	Yes

Radius Shapes

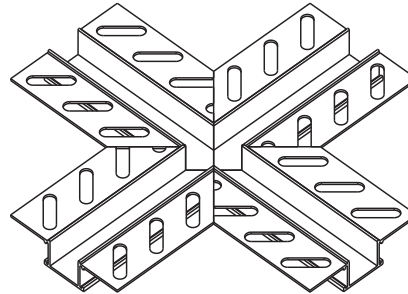


Intersections & Corners

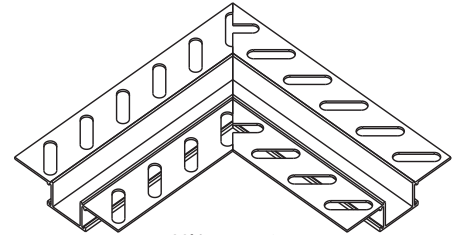
Flannery offers pre-fabricated intersections and corners for intricate building designs that utilize intersecting lines and bands on interior walls. These junctions can be produced in the field using Alignment Splices or can be ordered from the factory as prefabricated welded units to ease installation. Prefabricated intersections and corners are mitered and then heli-arc welded at the nailing flanges. Factory welded intersections and corners come with 6" legs, however custom leg lengths can be ordered.



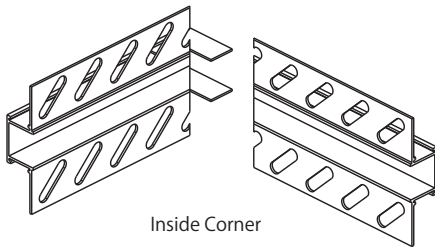
Tee Intersection



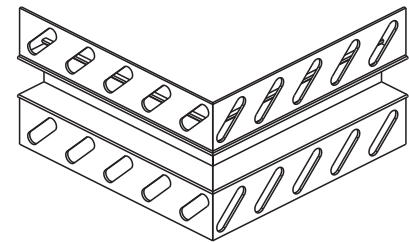
4-Way Intersection



90° Intersection



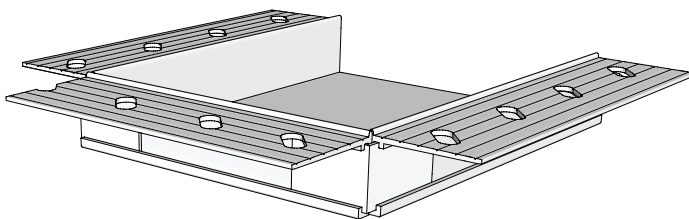
Inside Corner



Outside Corner

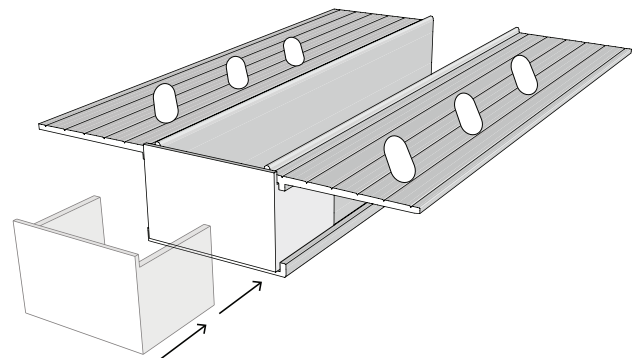
Tapeable Reveal End Caps

Flannery's Tapeable Reveal End Caps are available for all sizes of the Drywall Reveal series. Tapeable Reveal End Caps come with a taping flange and hook to the end of a reveal with two special aluminum splices to ensure a clean termination point (no glue required). The Tapeable Reveal End Cap is perfect when a Drywall Reveal terminates in the middle of a horizontal wall or gypsum board ceiling.



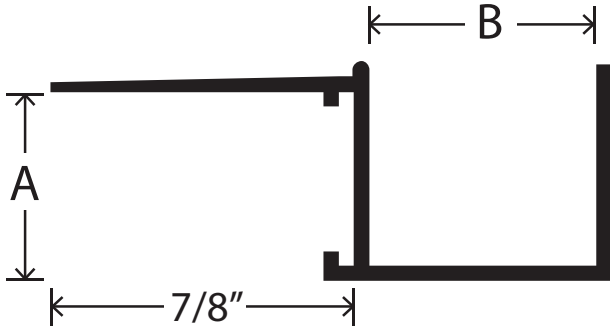
Reveal End Caps

Flannery offers Reveal End Caps for all sizes of the Drywall Reveal series. End Caps create a termination point for any Drywall Reveal where the reveal may end in the middle of a wall or against a dissimilar material such as a door or window frame.



DRYWALL F MOLD

Product Detail



Trim Purpose

Flannery's Drywall F-Molds create an aesthetic division between drywall and dissimilar materials including door and window frames, ceilings, and floors. Drywall F-Molds can be used to terminate drywall at the top or bottom of vertical walls. It can also be used with gypsum board ceilings. Flannery offers many of its Drywall F-Molds with Aluminum Alignment Splices to ease the installation process and create crisp and clean butt joints and lines.

Manufacturer's Specifications

Drywall F-Molds are standard extruded aluminum alloy 6063 T5 and are .050" thick. Flannery's Drywall F-Molds come in 10' lengths and shall have a standard Mill Finish for field priming and painting unless specified otherwise. Clear Anodized and Chem-film finishes, as well as other factory finishes and custom paint orders are available. See page 60 for Factory Finishes.

Attach Drywall F-Molds through the taping flange to the drywall and framing with nails, screws, or other approved fastening methods. All F-Molds must be cut accurately and installed with tight, neat joints. Flannery offers factory cutting and pre-fabricated intersections and corners for all Drywall F-Molds, which can reduce labor costs and waste. See page 45 for venting options of the Drywall F-Mold.

Part No.	"A" Depth	"B" Width	Alignment Splices	Venting Available
DWRF 375-375	3/8"	3/8"	N/A	N/A
DWRF 50-125	1/2"	1/8"	N/A	N/A
DWRF 50-25	1/2"	1/4"	Yes	N/A
DWRF 50-375	1/2"	3/8"	Yes	N/A
DWRF 50-50	1/2"	1/2"	Yes	Yes
DWRF 50-75	1/2"	3/4"	Yes	Yes
DWRF 50-100	1/2"	1"	Yes	Yes
DWRF 50-150	1/2"	1 1/2"	Yes	Yes
DWRF 50-200	1/2"	2"	Yes	Yes
DWRF 50-300	1/2"	3"	N/A	Yes
DWRF 50-600	1/2"	6"	N/A	Yes
DWRF 625-25	5/8"	1/4"	Yes	N/A
DWRF 625-375	5/8"	3/8"	Yes	N/A
DWRF 625-50	5/8"	1/2"	Yes	Yes
DWRF 625-625	5/8"	5/8"	Yes	Yes
DWRF 625-75	5/8"	3/4"	Yes	Yes
DWRF 625-100	5/8"	1"	Yes	Yes
DWRF 625-150	5/8"	1 1/2"	Yes	Yes
DWRF 625-200	5/8"	2"	Yes	Yes
DWRF 625-300	5/8"	3"	Yes	Yes
DWRF 625-400	5/8"	4"	Yes	Yes

Radius Shapes



Outside Curve



Inside Curve

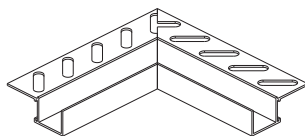


Arch

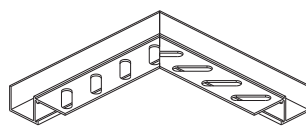


Reverse Arch

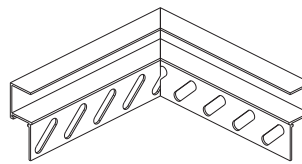
Intersections & Corners



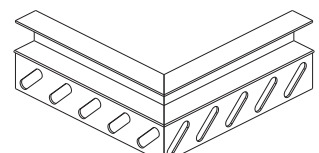
Inside 90° Intersection



Outside 90° Intersection



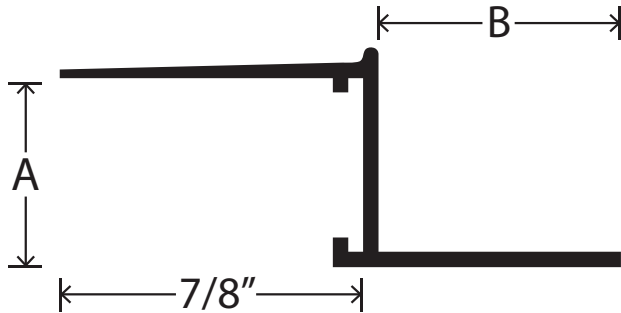
Inside Corner



Outside Corner

ALUMINUM SHADOW MOLD

Product Detail



Trim Purpose

Flannery's Drywall Shadow Molds (or Z-Metals) create an aesthetic reveal between drywall and dissimilar materials including door and window frames, ceilings, and floors. Shadow Molds can be used to terminate drywall at the top or bottom of vertical walls. Shadow Molds can also be inserted into Kerf slots along door and window frames. Flannery offers many of its Drywall Shadow Molds with Aluminum Alignment Splices to ease the installation process and create crisp and clean butt joints and lines.

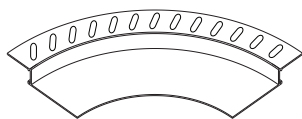
Manufacturer's Specifications

Drywall Shadow Molds are standard extruded aluminum alloy 6063 T5 and are .050" thick. Flannery's Shadow Molds come in 10' lengths and shall have a standard Mill Finish for field priming and painting unless specified otherwise. Clear Anodized and Chem-film finishes, as well as other factory finishes and custom paint orders are available. See page 60 for Factory Finishes.

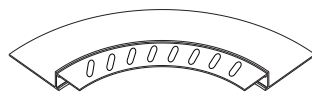
Attach Drywall Shadow Molds through the taping flange to the drywall and framing with nails, screws, or other approved fastening methods. All Shadow Molds must be cut accurately and installed with tight, neat joints. Flannery offers factory cutting and pre-fabricated intersections and corners for all Aluminum Drywall Shadow Molds, which can reduce labor costs and waste. See page 63 for venting options.

Part No.	"A" Depth	"B" Width	Alignment Splices	Venting Available
DWSM 25-25	1/4"	1/4"	Yes	N/A
DWSM 25-75	1/4"	3/4"	Yes	Yes
DWSM 375-375	3/8"	3/8"	N/A	N/A
DWSM 375-75	3/8"	3/4"	N/A	Yes
DWSM 50-25	1/2"	1/4"	Yes	N/A
DWSM 50-375	1/2"	3/8"	Yes	N/A
DWSM 50-50	1/2"	1/2"	Yes	Yes
DWSM 50-75	1/2"	3/4"	Yes	Yes
DWSM 50-100	1/2"	1"	Yes	Yes
DWSM 50-150	1/2"	1 1/2"	Yes	Yes
DWSM 50-200	1/2"	2"	Yes	Yes
DWSM 50-300	1/2"	3"	N/A	Yes
DWSM 50-600	1/2"	6"	N/A	Yes
DWSM 625-25	5/8"	1/4"	Yes	N/A
DWSM 625-375	5/8"	3/8"	Yes	N/A
DWSM 625-50	5/8"	1/2"	Yes	Yes
DWSM 625-625	5/8"	5/8"	Yes	Yes
DWSM 625-75	5/8"	3/4"	Yes	Yes
DWSM 625-100	5/8"	1"	Yes	Yes
DWSM 625-1250	5/8"	1 1/4"	Yes	Yes
DWSM 625-150	5/8"	1 1/2"	Yes	Yes
DWSM 625-200	5/8"	2"	N/A	Yes
DWSM 625-250	5/8"	2 1/2"	N/A	Yes
DWSM 625-300	5/8"	3"	N/A	Yes
DWSM 625-350	5/8"	3 1/2"	Yes	Yes
DWSM 625-400	5/8"	4"	Yes	Yes
DWSM 625-600	5/8"	6"	N/A	Yes
DWSM 100-100	1"	1"	N/A	N/A

Radius Shapes



Outside Curve



Inside Curve

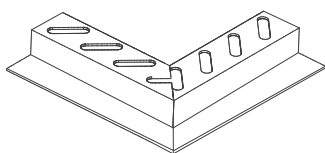


Arch

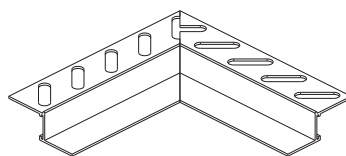


Reverse Arch

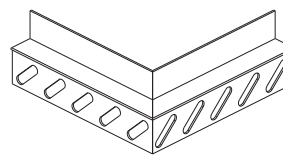
Intersections & Corners



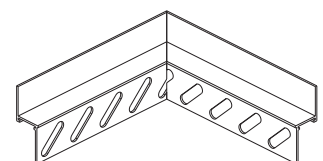
Outside 90° Intersection



Inside 90° Intersection



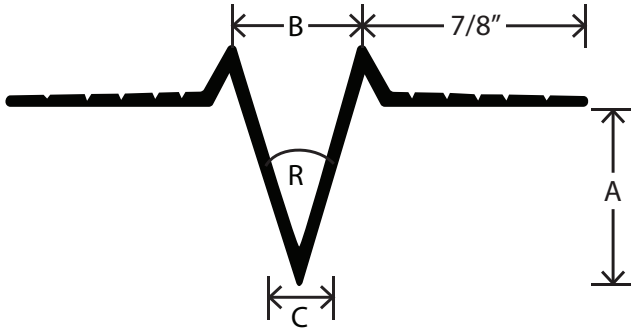
Outside Corner



Inside Corner

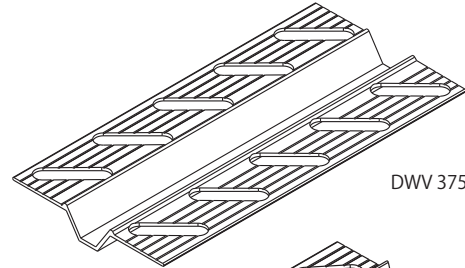
DRYWALL V REVEALS

Product Detail

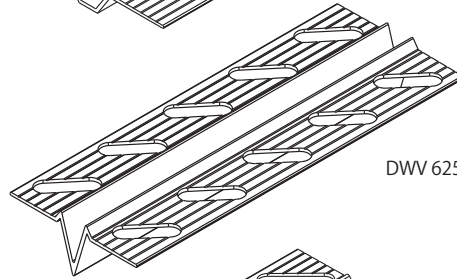


Part No.	"A" Depth	"B" Width	"C" Width	"R" Angle
DWV 375-75	3/8"	3/4"	1/8"	80°
DWV 625-375	5/8"	3/8"	.05"	35°
DWV 625-100	5/8"	1"	.05"	75°

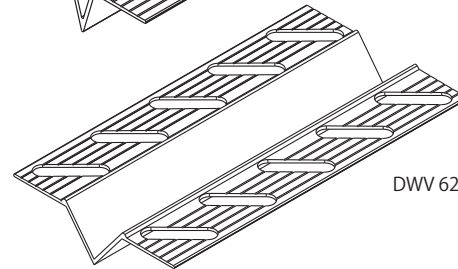
Intersections & Corners



DWV 375-75 Reveal



DWV 625-375 Reveal



DWV 625-100 Reveal

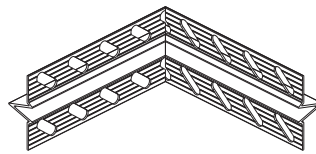
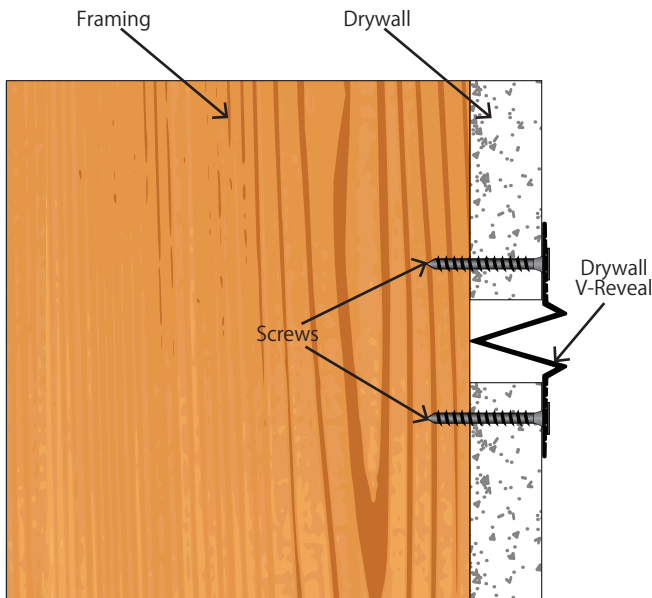
Trim Purpose

Flannery's Drywall V-Reveals create an aesthetic division between drywall panels on vertical walls and ceilings. Drywall V-Reveals can be used to create horizontal or vertical lines and can intersect cleanly where desired. V-Reveals have a unique angle appearance once installed compared to the normally "square" look of most drywall reveals.

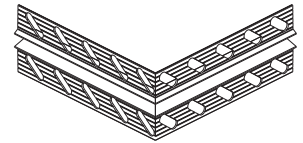
Manufacturer's Specifications

Drywall V-Reveals are standard extruded aluminum alloy 6063 T5 and are .050" thick. Flannery's Drywall V-Reveals come in 10' lengths and shall have a standard Mill Finish for field priming and painting unless specified otherwise. Clear Anodized and Chem-film finishes, as well as other factory finishes and custom paint orders are available. See page 60 for Factory Finishes.

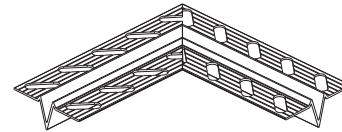
Attach Drywall V-Reveals through the taping flange to the drywall and framing with nails, screws, or other approved fastening methods. All reveals must be cut accurately and installed with tight, neat joints. Flannery offers factory cutting and pre-fabricated intersections and corners for all Drywall V-Reveals, which can reduce labor costs and waste.



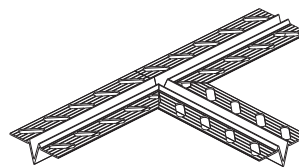
Inside Corner



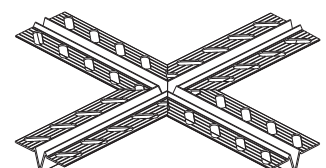
Outside Corner



90° Intersection



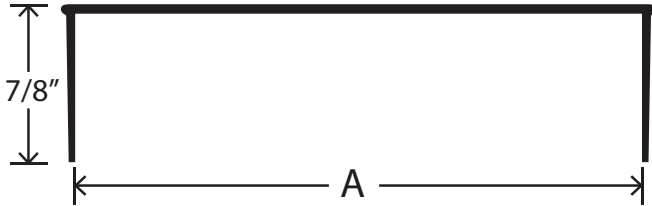
Tee Intersection



4-way Intersection

DRYWALL END ENCLOSURE

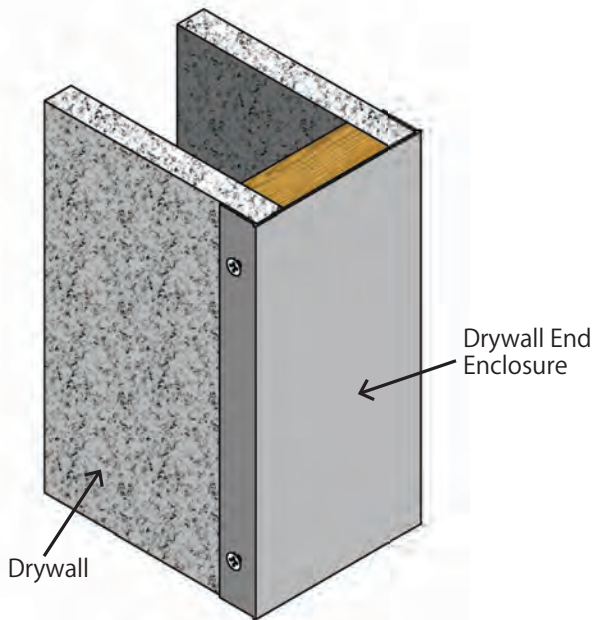
Product Detail



Trim Purpose

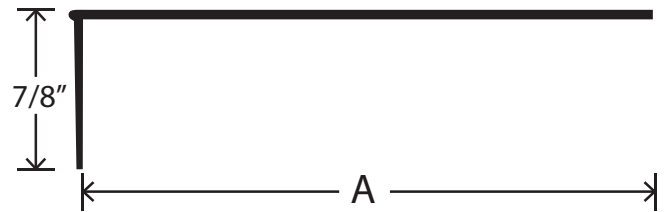
Flannery's Aluminum Drywall End Enclosures help terminate walls, partitions or cased openings. End Enclosures can be used to cap the edges of "doorless" wall openings or where a wall might terminate against a window. End Enclosures completely encapsulate a stud and two layers of gypsum board.

Part No.	"A" Width
DWE 3750	3 3/4"
DWE 4875	4 7/8"



DRYWALL L-METAL

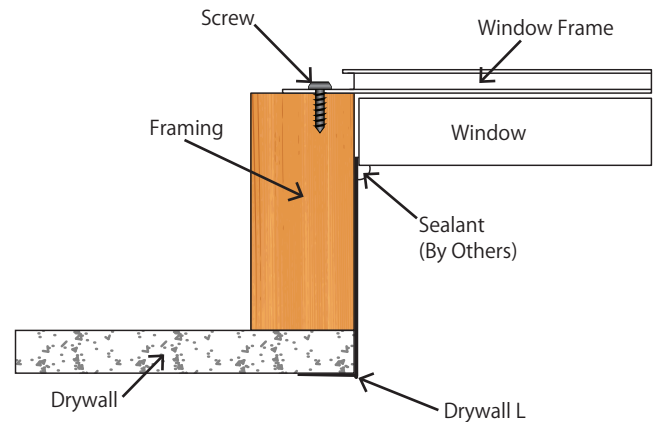
Product Detail



Trim Purpose

Flannery's Aluminum Drywall L's create a termination to drywall wherever it may finish against a dissimilar material. Drywall L-Metals cover the unfinished edge of drywall to allow for a smooth and clean transition from drywall to drywall or drywall to another material. It can also be used around inset doors and windows to create an "aluminum sill."

Part No.	"A" Width	Part No.	"A" Width
DWL 50	1/2"	DWL 1625	1 5/8"
DWL 625	5/8"	DWL 200	2"
DWL 75	3/4"	DWL 250	2 1/2"
DWL 875	7/8"	DWL 300	3"
DWL 100	1"	DWL 350	3 1/2"
DWL 1250	1 1/4"	DWL 400	4"
DWL 150	1 1/2"	DWL 450	4 1/2"

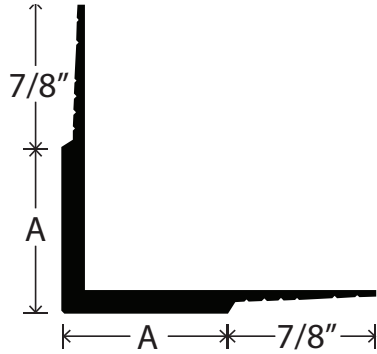


Manufacturer's Specifications

Flannery's Aluminum Drywall Trims are standard extruded aluminum alloy 6063 T5 and are .050" thick. Aluminum trims come in 10' lengths and shall have a standard Mill Finish for field priming and painting unless specified otherwise. Clear Anodized and Chem-film finishes, as well as other factory finishes and custom paint orders are available. See page 60 for Factory Finishes. Attach Aluminum Drywall Trims through the tapping flange to the drywall and framing with nails, screws, or other approved fastening methods. All drywall trims must be cut accurately and installed with tight, neat joints.

DRYWALL OUTSIDE CORNER

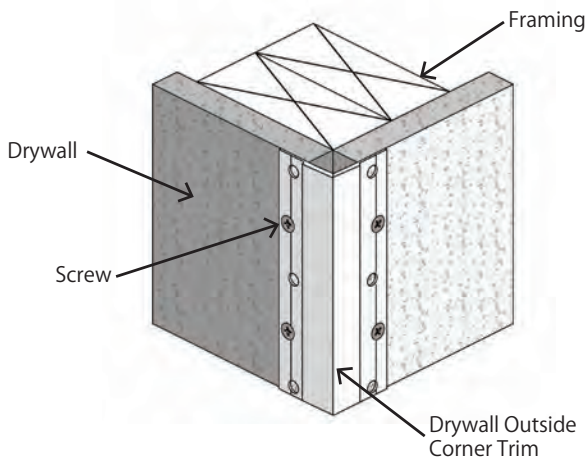
Product Detail



Trim Purpose

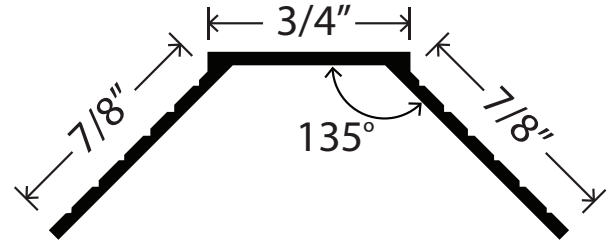
Flannery's Aluminum Drywall Outside Corner is a high strength alternative to galvanized or plastic square cornerbead. Its thickness allows it to be utilized in high traffic areas where outside drywall corners may require additional protection.

Part No.	"A" Width
DOC 375	3/8"
DOC 1250	1 1/4"



BEVELED DRYWALL CORNER

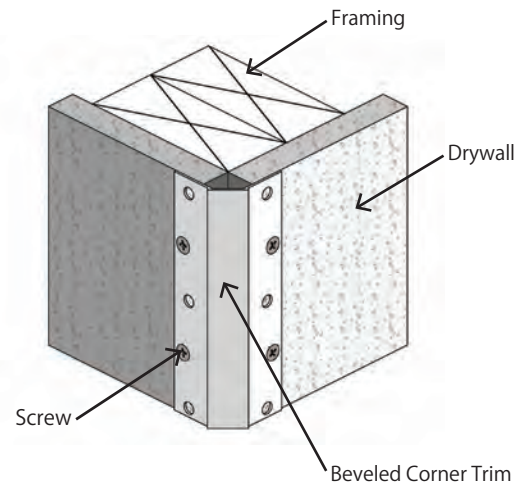
Product Detail



Trim Purpose

Flannery's Aluminum Beveled Drywall Corner is a unique outside corner trim that provides a sturdy and aesthetic corner effect. The "chamfered" or "flat-nosed" Beveled Drywall Corner can be utilized with any thickness of drywall.

Part No. BDC

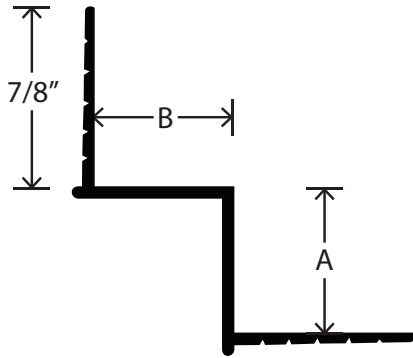


Manufacturer's Specifications

Flannery's Aluminum Drywall Trims are standard extruded aluminum alloy 6063 T5 and are .050" thick. Aluminum trims come in 10' lengths and shall have a standard Mill Finish for field priming and painting unless specified otherwise. Clear Anodized and Chem-film finishes, as well as other factory finishes and custom paint orders are available. See page 60 for Factory Finishes. Attach Aluminum Drywall Trims through the tapping flange to the drywall and framing with nails, screws, or other approved fastening methods. All drywall trims must be cut accurately and installed with tight, neat joints.

DRYWALL REVEAL CORNER

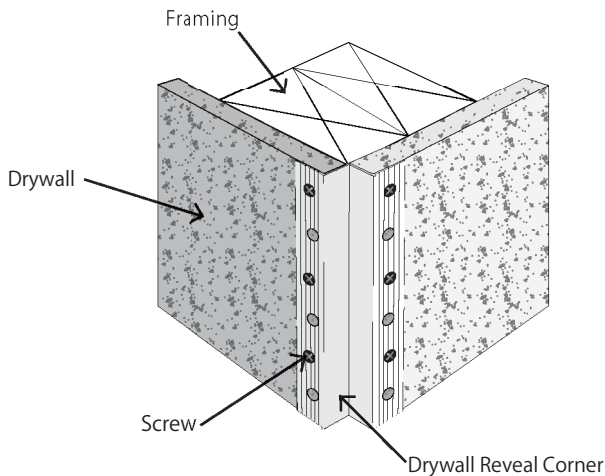
Product Detail



Trim Purpose

Flannery's Drywall Corner Reveal is an aluminum trim for outside corners of drywall. The Drywall Corner Reveal creates a "stepped" reveal look where two walls of drywall meet.

Part No.	"A" Width	"B" Width
DWRW 50-50	1/2"	1/2"
DWRW 625-625	5/8"	5/8"
DWRW 100-100	1"	1"

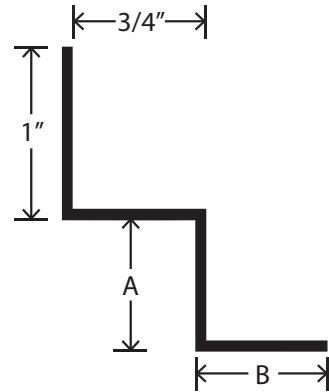


Manufacturer's Specifications

Flannery's Aluminum Drywall Trims are standard extruded aluminum alloy 6063 T5 and are .050" thick. Aluminum trims come in 10' lengths and shall have a standard Mill Finish for field priming and painting unless specified otherwise. Clear Anodized and Chem-film finishes, as well as other factory finishes and custom paint orders are available. See page 60 for Factory Finishes. Attach Aluminum Drywall Trims through the attachment flange(s) to the drywall and framing with nails, screws, or other approved fastening methods. All drywall trims must be cut accurately and installed with tight, neat joints.

W-TRANSITION MOLD

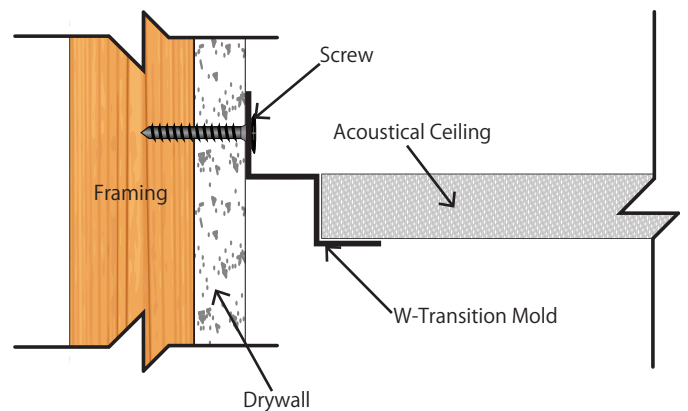
Product Detail



Trim Purpose

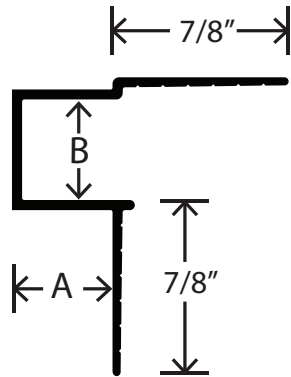
Flannery's W-Transition Mold is an Aluminum trim which allows for transitions between vertical walls and ceilings. It can also be used to form a reveal between a wall and a suspended ceiling. Many of the W-Transition Molds can be ventilated to allow air-flow up into a recessed soffit. See Page 63 for Venting Options.

Part No.	"A" Width	"B" Width	Venting Available
WTM 75-050	3/4"	1/20"	Yes
WTM 75-187	3/4"	3/16"	Yes
WTM 75-50	3/4"	1/2"	N/A
WTM 75-75	3/4"	3/4"	N/A



DRYWALL CEILING TRIM

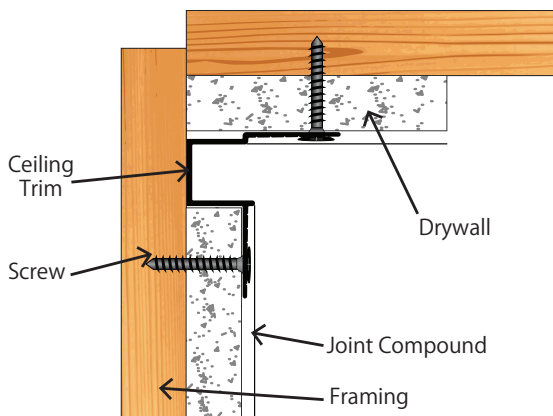
Product Detail



Trim Purpose

Flannery's Drywall Reveal Ceiling Trim creates an aesthetic reveal between vertical walls and ceilings that both utilize drywall. Drywall Ceiling Trims are used to terminate drywall at the top of vertical walls and are attached to both the wall and the ceiling.

Part No.	"A" Depth	"B" Width	Alignment Splices
DWRCT 50-50	1/2"	1/2"	N/A
DWRCT 625-25	5/8"	1/4"	Yes
DWRCT 625-75	5/8"	3/4"	Yes
DWRCT 625-100	5/8"	1"	Yes

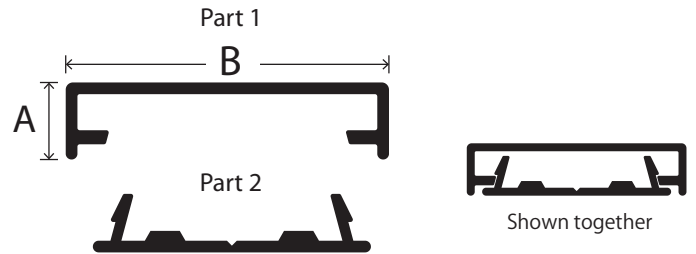


Manufacturer's Specifications

Flannery's Aluminum Drywall Trims are standard extruded aluminum alloy 6063 T5 and are .050" thick. Aluminum trims come in 10' lengths and shall have a standard Mill Finish for field priming and painting unless specified otherwise. Clear Anodized and Chem-film finishes, as well as other factory finishes and custom paint orders are available. See page 60 for Factory Finishes. Attach Aluminum Drywall Trims through the attachment flange(s) to the drywall and framing with nails, screws, or other approved fastening methods. All drywall trims must be cut accurately and installed with tight, neat joints.

CONCEALED FASTENER TRIM

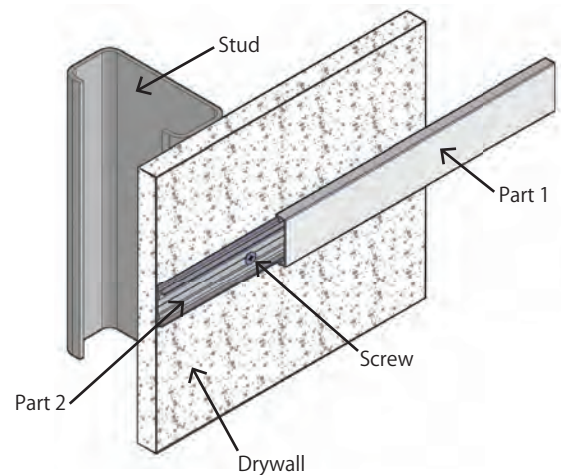
Product Detail



Trim Purpose

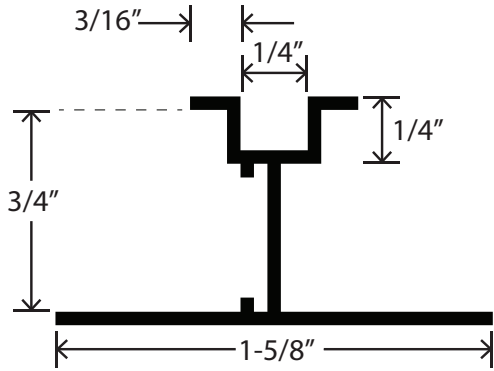
Flannery's Concealed Fastener Trim is an Aluminum trim that creates a raised feature strip over the face of a finished wall. The Concealed Fastener Trim is a two-piece trim that once installed sits proud of the wall while hiding all of the trim's fasteners. Part 2 of the trim is attached to the wall's substrate first and then Part 1 is "snapped" over Part 2 thus concealing all of the fasteners of the trim.

Part No.	"A" Depth	"B" Width	Availability
CFT 330-1375	1/3"	1 3/8"	Stock
CFT 100-100	1"	1"	Special Order
CFT 1250-200	1 1/4"	2"	Special Order
CFT 625-400	5/8"	4"	Special Order



PLASTER CONTROL JOINT

Product Detail



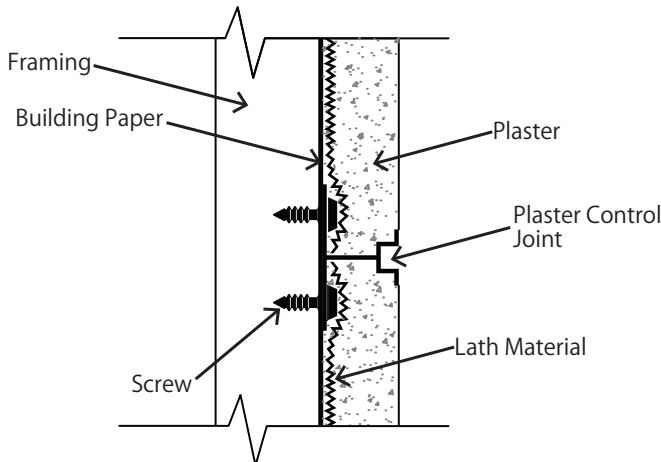
Trim Purpose

Flannery's Plaster Control Joint (PCS 75-25-25) creates a 1/4" aesthetic reveal in a typical stucco wall system. It breaks up a plaster wall by creating horizontal and vertical reveal lines. Flannery's Plaster Control Joint is available with Aluminum Alignment Splices to ease the installation process and create crisp and clean butt joints and lines.

Manufacturer's Specifications

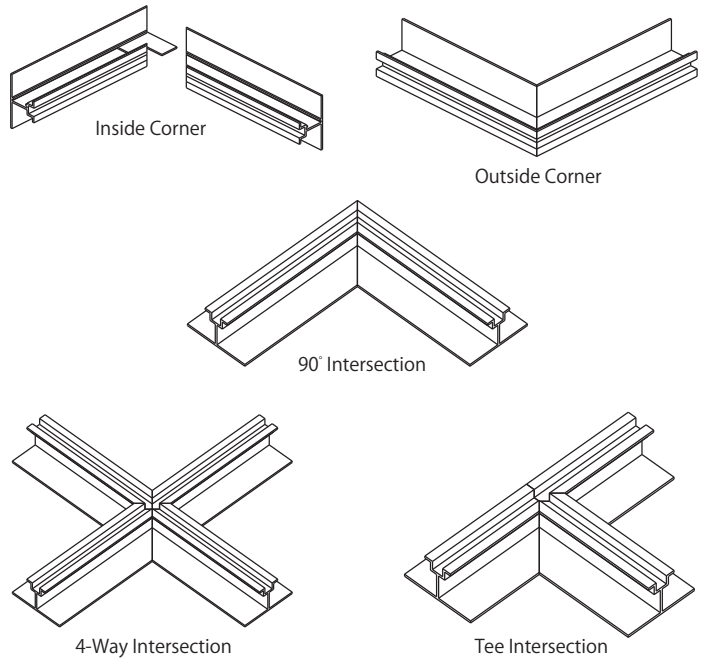
Flannery's Plaster Control Joint is a standard extruded aluminum alloy 6063 T5 and has a .050" nominal wall thickness. Aluminum Plaster trims come in 10' lengths and shall have a standard Clear Anodized Finish. Mill Finish (for field priming & painting), Chem-film finish or other factory finishes and custom paint orders are available. See page 60 for Factory Finishes.

Attach Plaster Control Joints over the weather resistant barrier to the framing with nails, screws, or other approved fastening methods. All Control Joints must be cut accurately and installed with tight, neat joints. All nailing flanges must be covered with lath and all butt joints must be sealed. To assist the installer, Flannery provides vinyl connector clips with every stick of control joint ordered.



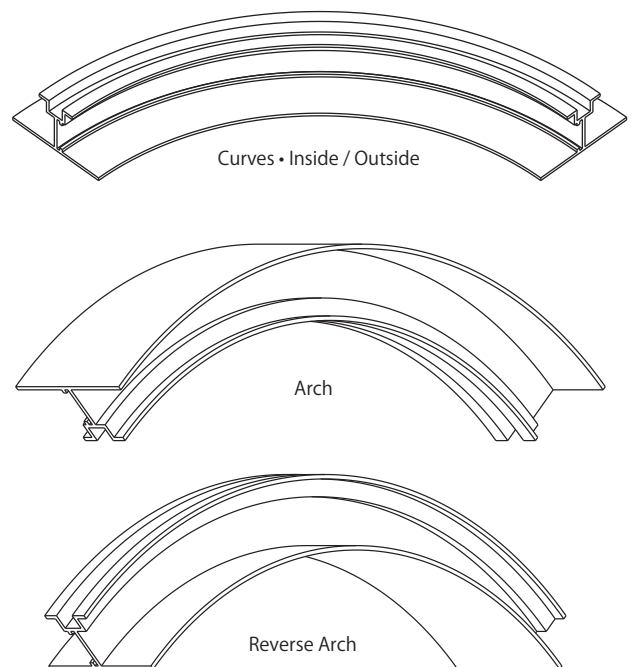
Part No. PCS 75-25-25

Intersections & Corners



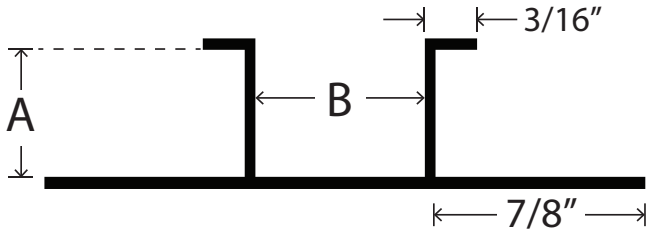
ALUMINUM PLASTER TRIMS

Radius Shapes



PLASTER CHANNEL SCREED

Product Detail



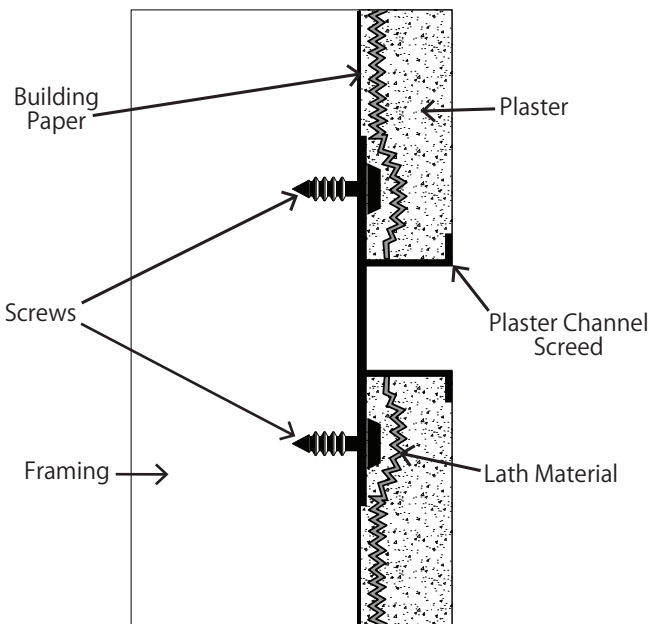
Trim Purpose

Flannery's Plaster Channel Screeds create an aesthetic reveal in any stucco wall system. Channel Screeds break up plaster or stucco walls by creating horizontal and vertical reveal lines. Flannery's Plaster Channel Screeds come in a number of depths for different stucco thicknesses as well as a number of reveal widths for just the right design look. Select sizes of Flannery's Plaster Channel Screeds are also available with Aluminum Alignment Splices to ease the installation process and create crisp and clean butt joints and lines.

Manufacturer's Specifications

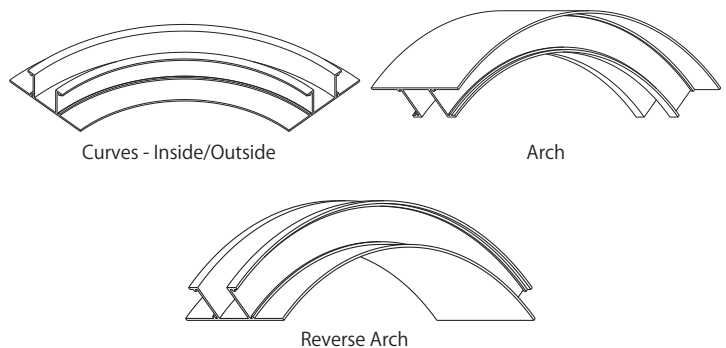
Flannery's Plaster Channel Screeds are standard extruded aluminum alloy 6063 T5 and have a .050" nominal wall thickness. Aluminum Plaster trims come in 10' lengths and shall have a standard Clear Anodized Finish. Mill Finish (for field priming & painting), Chem-film finish or other factory finishes and custom paint orders are available. See page 60 for Factory Finishes.

Attach Channel Screeds over the weather resistant barrier to the framing with nails, screws, or other approved fastening methods. All Channel Screeds must be cut accurately and installed with tight, neat joints. All nailing flanges must be covered with lath and all butt joints must be sealed. To assist the installer, Flannery provides vinyl connector clips with every stick of Channel Screed ordered. See page 41 for venting options of the Plaster Channel Screed.



Part No.	"A" Depth	"B" Width	Alignment Splices	Venting Available
PCS 375-50	3/8"	1/2"	N/A	Yes
PCS 375-75	3/8"	3/4"	N/A	Yes
PCS 375-100	3/8"	1"	N/A	Yes
PCS 375-150	3/8"	1 1/2"	N/A	Yes
PCS 50-25	1/2"	1/4"	N/A	N/A
PCS 50-50	1/2"	1/2"	N/A	Yes
PCS 50-75	1/2"	3/4"	N/A	Yes
PCS 50-100	1/2"	1"	N/A	Yes
PCS 50-150	1/2"	1 1/2"	N/A	Yes
PCS 50-200	1/2"	2"	N/A	Yes
PCS 50-250	1/2"	2 1/2"	N/A	Yes
PCS 50-300	1/2"	3"	N/A	Yes
PCS 50-400	1/2"	4"	N/A	Yes
PCS 50-600	1/2"	6"	N/A	Yes
PCS 625-50	5/8"	1/2"	N/A	Yes
PCS 625-75	5/8"	3/4"	N/A	Yes
PCS 625-100	5/8"	1"	N/A	Yes
PCS 625-150	5/8"	1 1/2"	N/A	Yes
PCS 625-200	5/8"	2"	N/A	Yes
PCS 625-300	5/8"	3"	N/A	Yes
PCS 625-400	5/8"	4"	N/A	Yes
PCS 75-25	3/4"	1/4"	Yes	N/A
PCS 75-50	3/4"	1/2"	Yes	Yes
PCS 75-75	3/4"	3/4"	Yes	Yes
PCS 75-100	3/4"	1"	Yes	Yes
PCS 75-150	3/4"	1 1/2"	Yes	Yes
PCS 75-200	3/4"	2"	Yes	Yes
PCS 75-250	3/4"	2 1/2"	Yes	Yes
PCS 75-300	3/4"	3"	Yes	Yes
PCS 75-400	3/4"	4"	N/A	Yes
PCS 75-600	3/4"	6"	N/A	Yes
PCS 100-75	1"	3/4"	Yes	N/A
PCS 100-100	1"	1"	N/A	N/A

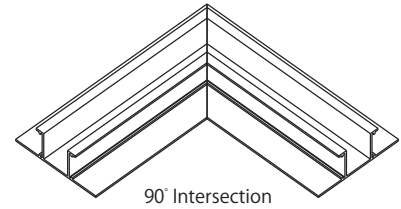
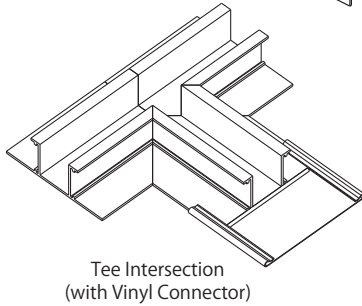
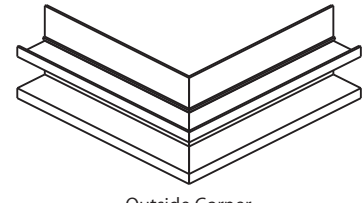
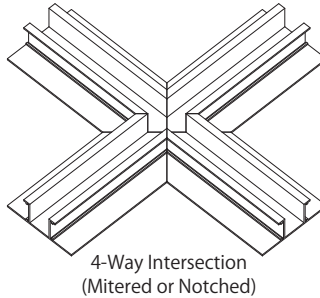
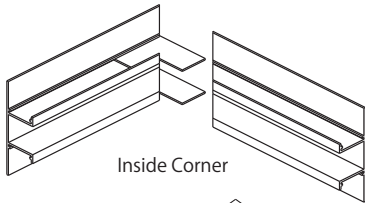
Radius Shapes



ALUMINUM PLASTER TRIMS

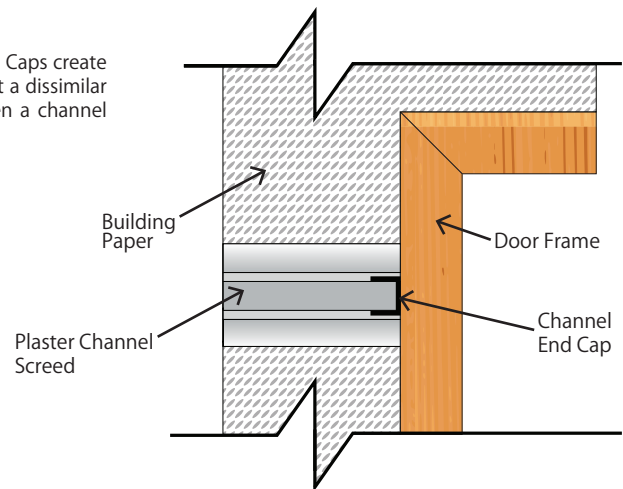
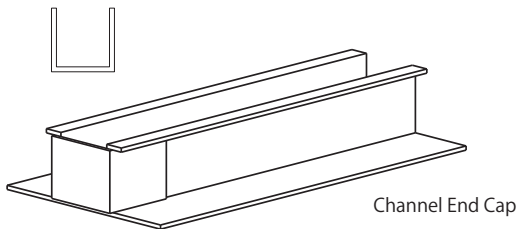
Intersections & Corners

Flannery offers prefabricated intersections and corners for intricate building designs that utilize intersecting lines and bands on exterior walls. Prefabricated intersections and corners are mitered and then heli-arc welded together at their attachment flanges, then vinyl tape is applied to the back of the reveal to prevent water intrusion. Factory welded intersections and corners come with 6" legs, however custom leg lengths can be ordered.



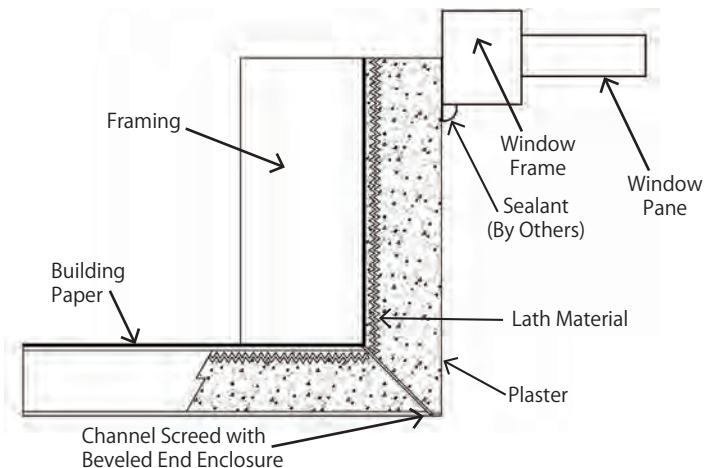
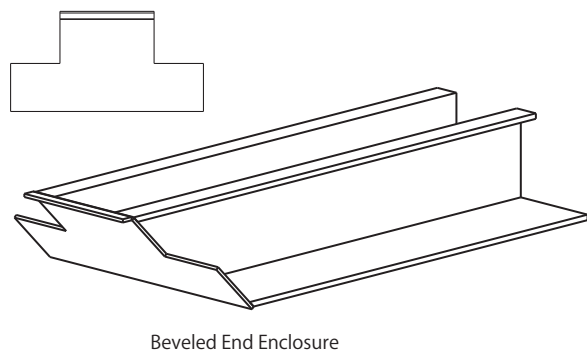
Channel End Caps

Flannery offers Channel End Caps for all sizes of the Plaster Channel Screed series. End Caps create a termination point for any Channel Screed where the channel may terminate against a dissimilar material such as a door or window frame. Channel End Caps can also be used when a channel terminates in the middle of a plaster wall.



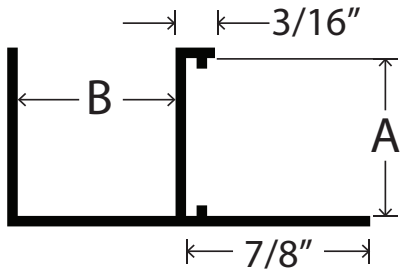
Beveled End Enclosure

The Beveled End Enclosure is a product that was designed to allow any Plaster Channel Screed to terminate properly at stucco corners. The unique angle and plaster key of the Beveled End Enclosure is ideal for separating the channel from the stucco layer particularly when a corner has a welded wire corner installed. The Beveled End Enclosure is available for any size of Flannery's Plaster Channel Screeds. Flannery can factory weld them to specific lengths of channel or provide them separately.



PLASTER F-MOLD

Product Detail



Trim Purpose

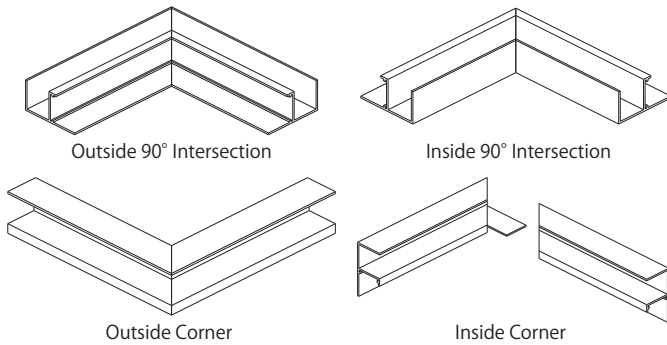
Flannery's Plaster F-Mold creates an aesthetic termination reveal in any stucco wall system. Typically installed where a stucco wall terminates at an opposing wall or dissimilar material, the Plaster F-Mold can act as a stucco stop with a built in reveal. Select sizes of Flannery's Plaster F-Molds are available with Aluminum Alignment Splices to ease the installation process and create crisp and clean butt joints and lines.

Manufacturer's Specifications

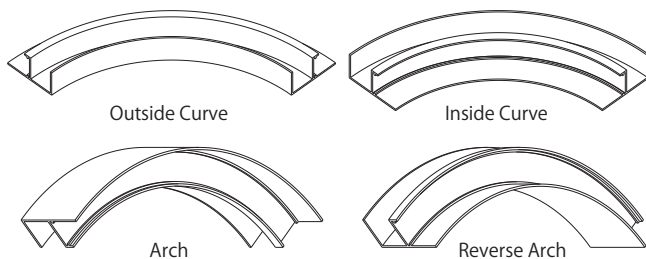
Flannery's Plaster F-Molds are standard extruded aluminum alloy 6063 T5 and have a .050" nominal wall thickness. Aluminum Plaster trims come in 10' lengths and shall have a standard Clear Anodized Finish. Mill Finish (for field priming & painting), Chem-film finish or other factory finishes and custom paint orders are available. See page 60 for Factory Finishes.

Attach Plaster F-Molds over the weather resistant barrier (WRB) to the framing with nails, screws, or other approved fastening methods. A shiplap of building paper or WRB may need to be installed over the attachment flange if the Plaster F-Mold is being used as a stucco stop. All Plaster Trims must be cut accurately and installed with tight, neat joints. All nailing flanges must be covered with lath and all butt joints must be sealed. See page 42 for venting options of the Plaster F-Mold.

Intersections & Corners

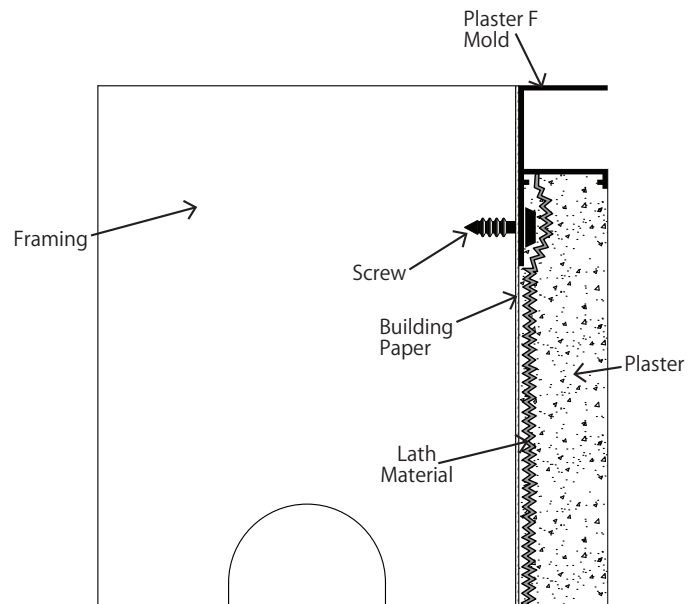


Radius Shapes



Part No.	"A" Depth	"B" Width	Alignment Splices	Venting Available
FPM 50-25*	1/2"	1/4"	N/A	N/A
FPM 50-50*	1/2"	1/2"	N/A	Yes
FPM 50-75	1/2"	3/4"	N/A	Yes
FPM 50-100*	1/2"	1"	N/A	Yes
FPM 50-150*	1/2"	1 1/2"	N/A	Yes
FPM 50-200	1/2"	2"	N/A	Yes
FPM 50-250*	1/2"	2 1/2"	N/A	Yes
FPM 50-300*	1/2"	3"	N/A	Yes
FPM 50-400*	1/2"	4"	N/A	Yes
FPM 50-600*	1/2"	6"	N/A	Yes
FPM 625-50	5/8"	1/2"	N/A	Yes
FPM 625-75	5/8"	3/4"	N/A	Yes
FPM 625-100*	5/8"	1"	N/A	Yes
FPM 625-150*	5/8"	1 1/2"	N/A	Yes
FPM 625-200	5/8"	2"	N/A	Yes
FPM 625-300*	5/8"	3"	N/A	Yes
FPM 625-400*	5/8"	4"	N/A	Yes
FPM 75-25	3/4"	1/4"	Yes	N/A
FPM 75-50	3/4"	1/2"	Yes	Yes
FPM 75-75	3/4"	3/4"	Yes	Yes
FPM 75-100	3/4"	1"	Yes	Yes
FPM 75-150	3/4"	1 1/2"	Yes	Yes
FPM 75-200	3/4"	2"	Yes	Yes
FPM 75-250*	3/4"	2 1/2"	Yes	Yes
FPM 75-300	3/4"	3"	Yes	Yes
FPM 75-400	3/4"	4"	Yes	Yes
FPM 75-600*	3/4"	6"	N/A	Yes
FPM 100-75*	1"	3/4"	Yes	N/A
FPM 100-100*	1"	1"	N/A	N/A

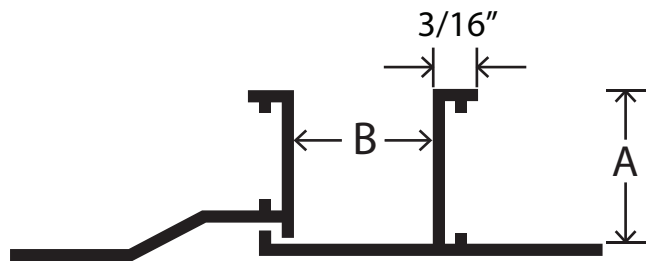
*Indicates Modified Part



ALUMINUM PLASTER TRIMS

2-PIECE EXPANSION REVEAL

Product Detail



Trim Purpose

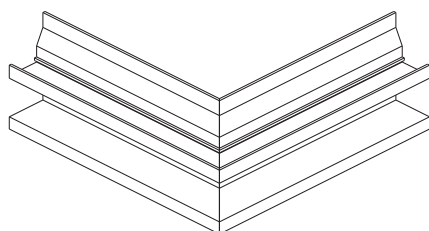
Flannery's 2-Piece Expansion Reveal acts as a plaster expansion joint designed to allow for the minor movement that may occur within an exterior stucco finish. The Expansion Reveal creates an aesthetic reveal similar to the Plaster Channel Screed and allows for a 1/4" of movement. Expansion movement may be increased with Flannery's selection of custom expansion reveals and extended flanges. Select sizes of Flannery's 2-Piece Expansion Reveals are available with Aluminum Alignment Splices to ease the installation process and create crisp and clean butt joints and lines.

Manufacturer's Specifications

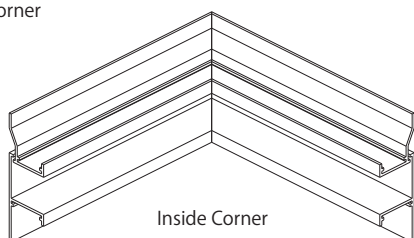
Part A and Part B of Flannery's 2-Piece Expansion Reveals are standard extruded aluminum alloy 6063 T5 and have a .050" nominal wall thickness. Aluminum Plaster trims come in 10' lengths and shall have a standard Clear Anodized Finish. Mill Finish (for field priming & painting), Chem-film finish or other factory finishes and custom paint orders are available. See page 60 for Factory Finishes.

Attach Part A of the 2-Piece Expansion Reveal over the weather resistant barrier (WRB) to the framing then install sealant over the top of the reveal flange. Part B is then installed over Part A at the specified width and attached to the opposite framing member. Attach Part A and Part B of the Expansion Reveal to the framing members with nails, screws, or other approved fastening methods. All reveals must be cut accurately and installed with tight, neat joints. All nailing flanges must be covered with lath and all butt joints must be sealed. PLEASE NOTE: Attaching both Part A and Part B of the 2-Piece Expansion Reveal to the same framing member or substrate will reduce or eliminate its expansion capabilities.

Factory Corners

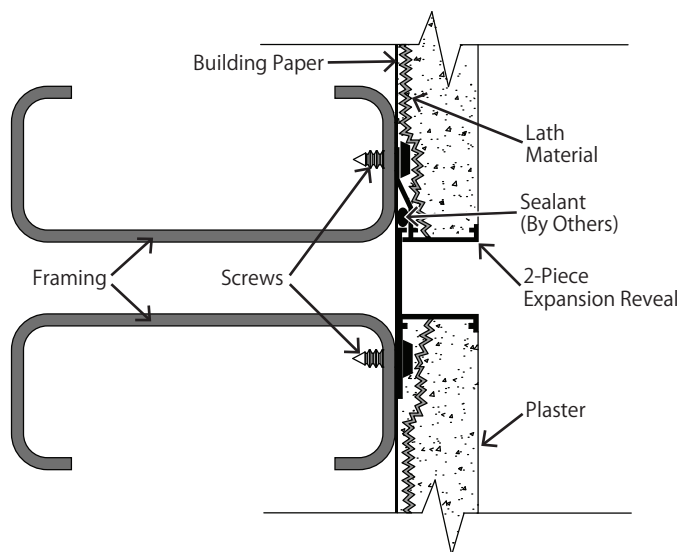
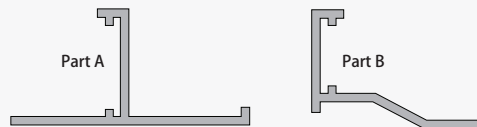


Outside Corner



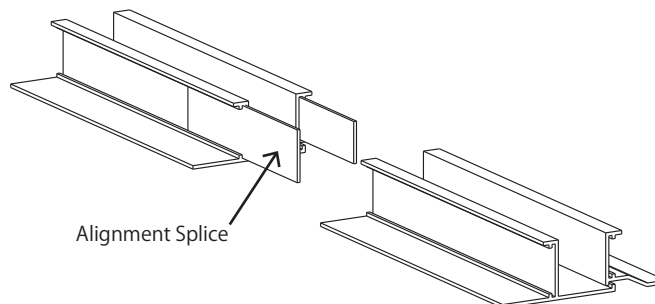
Inside Corner

Part No.	"A" Depth	"B" Width	Alignment Splices
EXP 50-50	1/2"	1/2"	N/A
EXP 50-75	1/2"	3/4"	N/A
EXP 50-100	1/2"	1"	N/A
EXP 75-25	3/4"	1/4"	Yes
EXP 75-50	3/4"	1/2"	Yes
EXP 75-75	3/4"	3/4"	Yes
EXP 75-100	3/4"	1"	Yes
EXP 75-150	3/4"	1 1/2"	Yes
EXP 75-200	3/4"	2"	Yes



Channel Alignment Splices

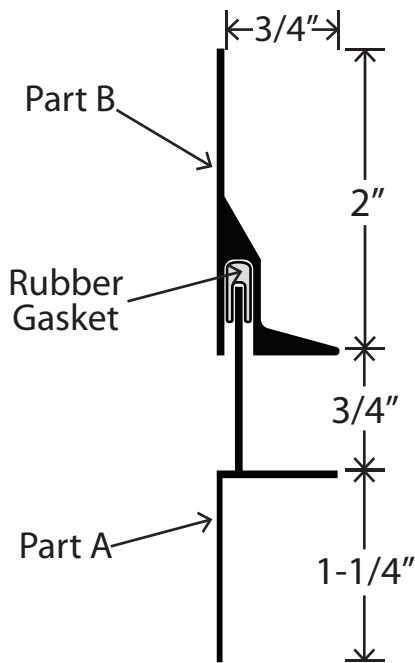
Various sizes of Flannery's 2-Piece Expansion Reveals are available with Aluminum Alignment Splices to ease the installation process and create crisp and clean butt joints and lines. Alignment Splices can be utilized at any butt joint no matter where the trim is cut for installation purposes.



ALUMINUM PLASTER TRIMS

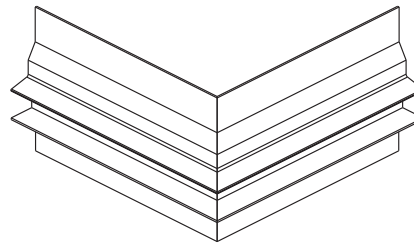
EXPANSION WEEP

Product Detail

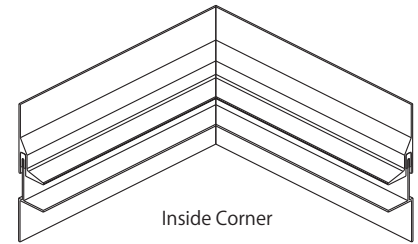


Part No. EXPW 75-75

Factory Corners



Outside Corner



Inside Corner

ALUMINUM PLASTER TRIMS

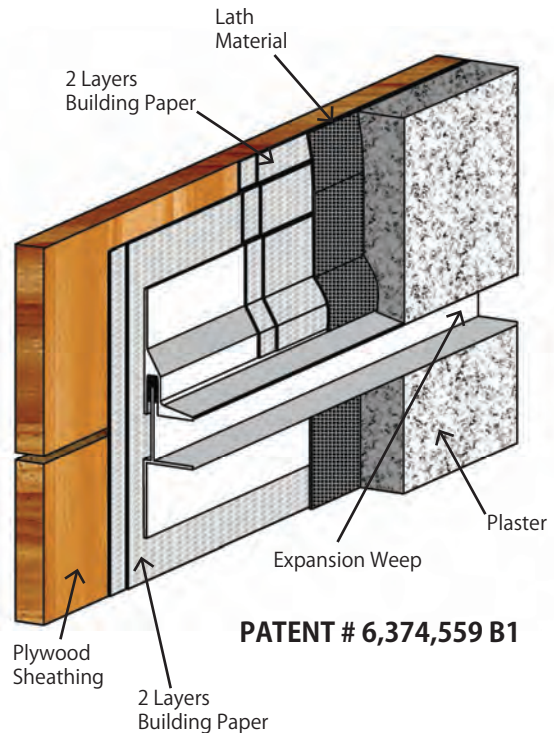
Trim Purpose

Flannery's Expansion Weep acts as a plaster expansion joint designed to allow for the minor movement that may occur within an exterior stucco finish. What makes the Expansion Weep unique is that it not only allows for the minor movement of the stucco finish, but it also acts as a "weeping" reveal. Flannery's Expansion Weep assists in moving water out from behind the plaster layer of a stucco system. The upper horizontal projection (or "Ground Leg") of the Expansion Weep is sloped to assist in draining moisture from the system similar to that of a foundation weep screed. The Expansion Weep comes with a rubber gasket to help join and seal Part A and Part B together. The Expansion Weep creates a 3/4" aesthetic reveal and allows for a 1/4" of movement.

Manufacturer's Specifications

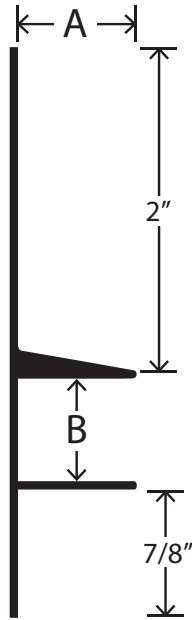
Part A and Part B of Flannery's Expansion Weep are standard extruded aluminum alloy 6063 T5 and have a .050" nominal wall thickness. The Expansion Weep comes with a rubber gasket, which joins Part A and Part B together. Aluminum Plaster trims come in 10' lengths and shall have a standard Clear Anodized Finish. Mill Finish (for field priming & painting), Chem-film finish or other factory finishes and custom paint orders are available. See page 60 for Factory Finishes.

Install all Expansion Weeps over the weather resistant barrier (WRB) on vertical surfaces using ten-foot lengths wherever possible. Part A, Part B, and the rubber gasket shall be factory assembled with vinyl connectors to ease installation. Attach Part A and Part B of the Expansion Weep to the framing with nails, screws, or other approved fastening methods. The next horizontal layer of building paper (or WRB) should overlap the nailing flange of Part B. All reveals must be cut accurately and installed with tight, neat joints. All nailing flanges must be covered with lath and all butt joints must be sealed. PLEASE NOTE: Attaching both Part A and Part B of the Expansion Weep to the same framing member or substrate will reduce or eliminate its expansion capabilities.



WEEPING REVEALS

Product Detail



Part No.	"A" Depth	"B" Width
PCSW 50-50	1/2"	1/2"
PCSW 50-75	1/2"	3/4"
PCSW 50-100	1/2"	1"
PCSW 50-150	1/2"	1 1/2"
PCSW 50-200	1/2"	2"
PCSW 75-50	3/4"	1/2"
PCSW 75-75	3/4"	3/4"
PCSW 75-100	3/4"	1"
PCSW 75-150	3/4"	1 1/2"
PCSW 75-200	3/4"	2"
PCSW 75-300	3/4"	3"

ALUMINUM PLASTER TRIMS

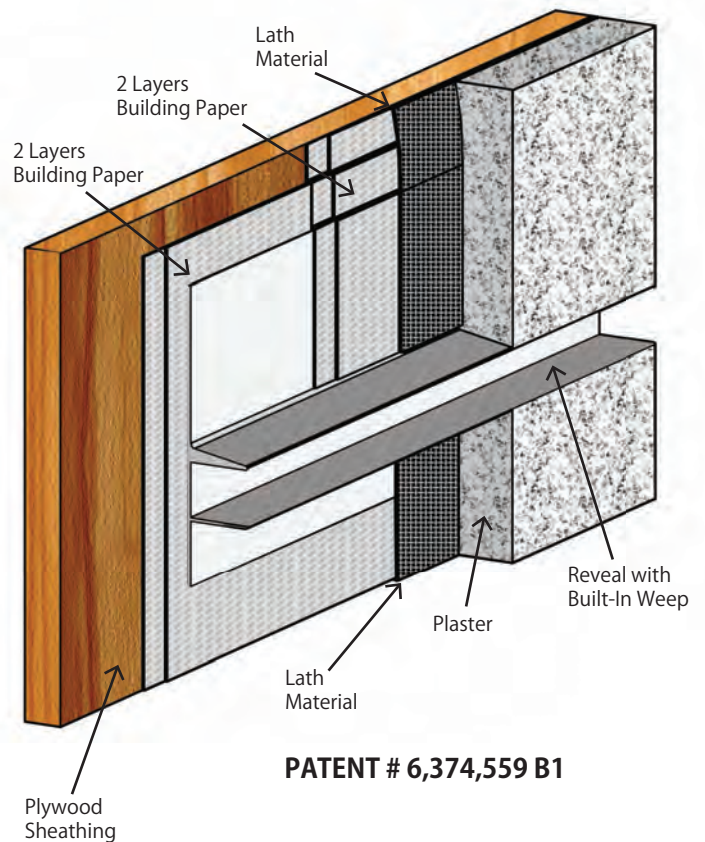
Trim Purpose

Flannery's Weeping Reveals create an aesthetic reveal in any stucco wall system. What makes a weeping reveal unique from the traditional Plaster Channel Screed is that it not only acts as a control joint, but it also acts as a "weeping" reveal. Flannery's Weeping Reveals assist in moving water out from behind the plaster layer of a stucco system. The upper horizontal projection (or "Ground Leg") of the Weeping Reveal is sloped to assist in draining moisture from the system similar to that of a foundation weep screed.

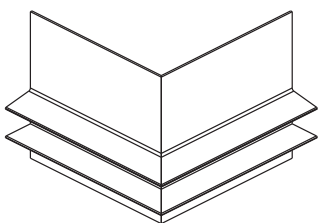
Manufacturer's Specifications

Flannery's Weeping Reveals are standard extruded aluminum alloy 6063 T5 and have a .050" nominal wall thickness. Aluminum Plaster trims come in 10' lengths and shall have a standard Clear Anodized Finish. Mill Finish (for field priming & painting), Chem-film finish or other factory finishes and custom paint orders are available. See page 60 for Factory Finishes.

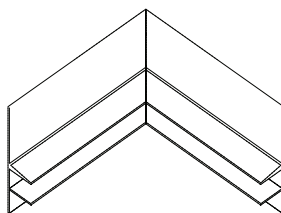
Install all Weeping Reveals over the weather resistant barrier (WRB) on vertical surfaces using ten-foot lengths wherever possible. Attach Weeping Reveals to the framing with nails, screws, or other approved fastening methods. The next horizontal layer of building paper (or WRB) should overlap the upper nailing flange above the reveal. All reveals must be cut accurately and installed with tight, neat joints. All nailing flanges must be covered with lath and all butt joints must be sealed. To assist the installer, Flannery provides vinyl connector clips with every stick of Weeping Reveal ordered.



Factory Corners



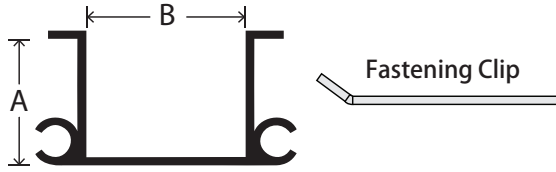
Outside Corner



Inside Corner

NO FLANGE CHANNEL SCREED

Product Detail



Trim Purpose

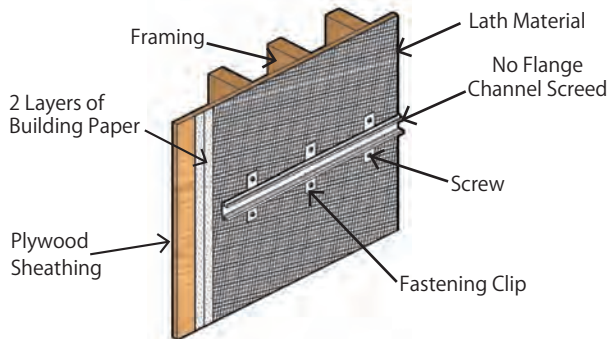
Flannery's No Flange Channel Screeds create an aesthetic reveal in any stucco wall system. Channel Screeds break up plaster or stucco walls by creating horizontal and vertical reveal lines. No Flange Channel Screeds are unique in that they come without the traditional attachment flanges. By removing the flanges from the channel screed, it reduces the amount of raw aluminum used in the production of the trim, which reduces the overall cost. Flannery's No Flange Channel Screeds are also available with fastening clips at an additional charge.

Manufacturer's Specification

Flannery's No Flange Channel Screeds are standard extruded aluminum alloy 6063 T5 and have a .050" nominal wall thickness. Aluminum Plaster trims come in 10' lengths and shall have a standard Clear Anodized Finish. Mill Finish (for field priming & painting), Chem-film finish or other factory finishes and custom paint orders are available. See page 60 for Factory Finishes.

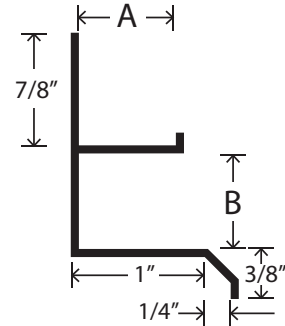
Attach No Flange Channel Screeds over the weather resistant barrier and lath materials to the framing with nails, screws, or other approved fastening methods. Fastening clips can also be used to assist in the installation process. All trims must be cut accurately and installed with tight, neat joints.

Part No.	"A" Width	"B" Width
NF 50-25	1/2"	1/4"
NF 50-50	1/2"	1/2"
NF 50-75	1/2"	3/4"
NF 50-100	1/2"	1"
NF 50-150	1/2"	1 1/2"



DOOR & WINDOW DRIP REVEAL

Product Detail



Trim Purpose

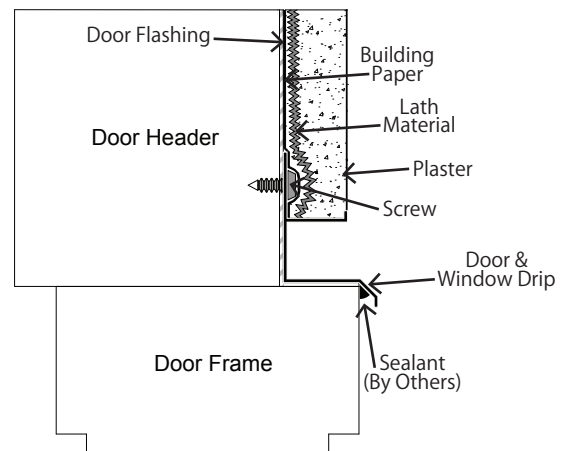
Flannery's Door & Window Drip Reveal creates an aesthetic termination reveal in any stucco wall system over a door or window opening. Typically installed where a stucco wall terminates at the top of a door or window, the Door & Window Drip Reveal is a stucco stop with a built in drip leg that caps the top of doors and windows.

Manufacturer's Specification

Flannery's Door & Window Drip Reveals are standard extruded aluminum alloy 6063 T5 and have a .050" nominal wall thickness. Aluminum Plaster trims come in 10' lengths and shall have a standard Clear Anodized Finish. Mill Finish (for field priming & painting), Chem-film finish or other factory finishes and custom paint orders are available. See page 60 for Factory Finishes.

Attach Door & Window Drip Reveals over the door or window to the framing with nails, screws, or other approved fastening methods. The next horizontal layer of building paper or weather resistant barrier must be installed over the attachment flange of the Door & Window Drip Reveal. All window drips must be cut accurately and installed with tight neat joints. A bead of sealant must be installed between the bottom drip edge of the Door & Window Drip Reveal and the top of the window frame. All nailing flanges must be covered with lath and all butt joints must be sealed.

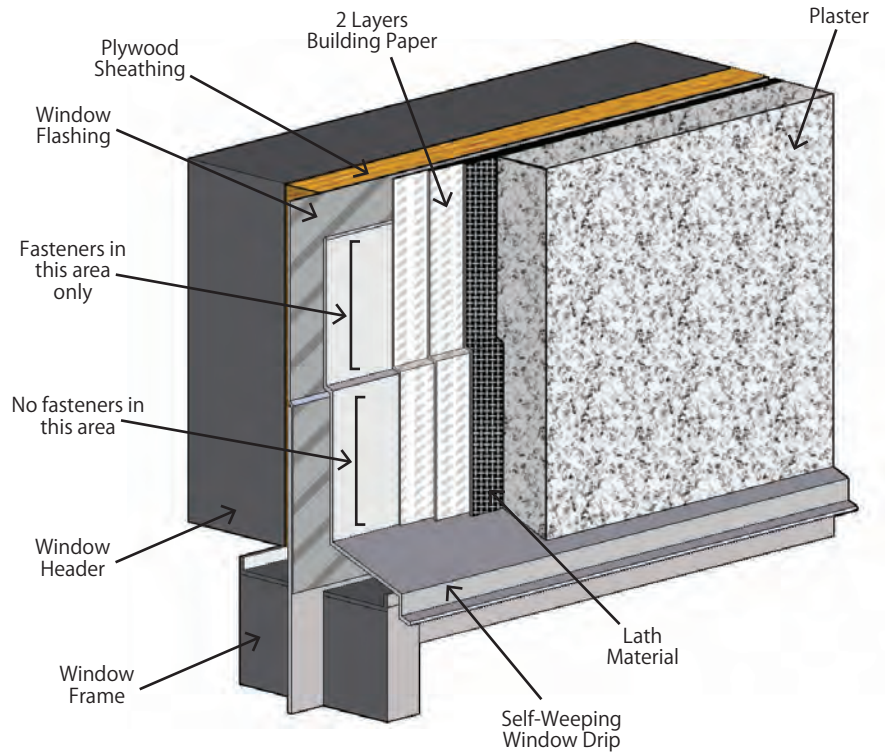
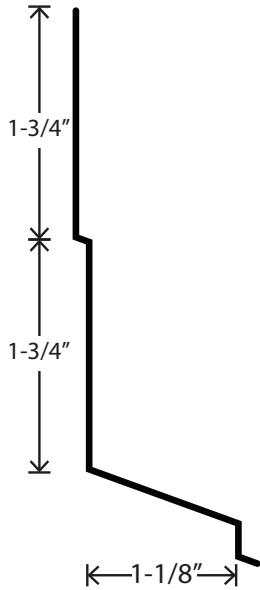
Part No.	"A" Width	"B" Width
WD 75-75	3/4"	3/4"
WD 75-200	3/4"	2"



SELF-WEEPING WINDOW DRIP

Part No. SWWD

Product Detail



ALUMINUM PLASTER TRIMS

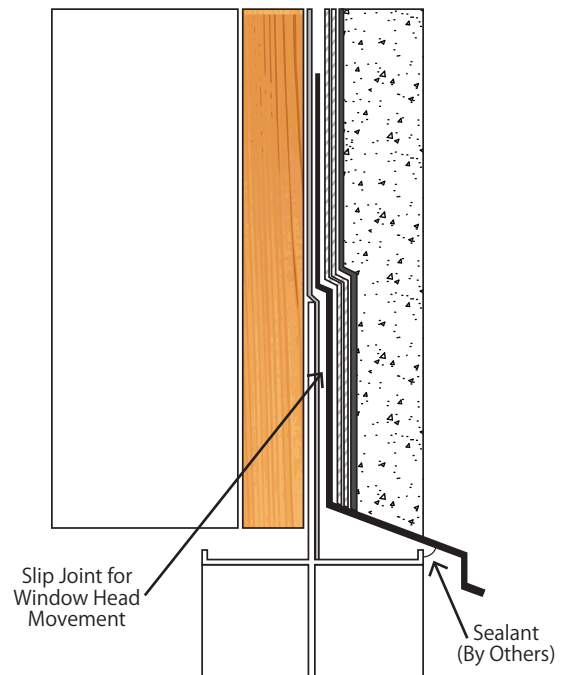
Trim Purpose

Flannery's Self-Weeping Window Drip acts as a window drip that prevents moisture from entering the head assembly of any window opening in a stucco wall system. The Self-Weeping Window Drip comes with an offset attachment flange to allow for window head movement.

Manufacturer's Specifications

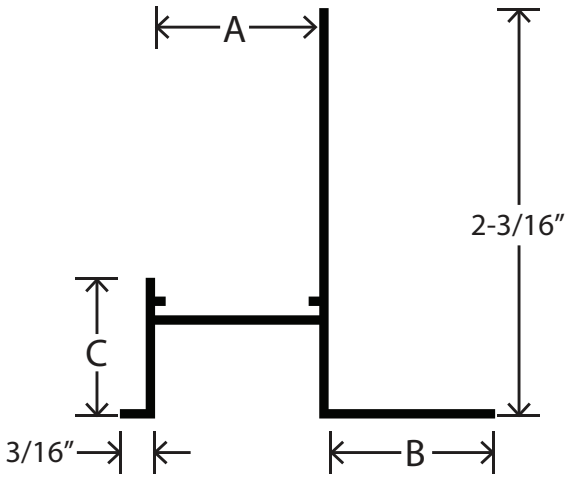
Flannery's Self-Weeping Window Drips are standard extruded aluminum alloy 6063 T5 and have a .060" nominal wall thickness. Aluminum Plaster trims come in 10' lengths and shall have a standard Clear Anodized Finish. Mill Finish (for field priming & painting), Chem-film finish or other factory finishes and custom paint orders are available. See page 60 for Factory Finishes.

Install all Self-Weeping Window Drips over the window. Fasteners should only be inserted into the top 1 1/2" of the attachment flange. Attach the Self-Weeping Window Drip to the framing with nails, screws, or other approved fastening methods. The next horizontal layer of building paper or weather resistant barrier should overlap the 3 1/2" attachment flange. All window drips must be cut accurately and installed with tight neat joints. A bead of sealant must be installed between the bottom drip edge of the Self-Weeping Window Drip and the top of the window frame. All nailing flanges must be covered with lath and all butt joints must be sealed. Manufacturer recommends that a carbide tip blade along with lubricant be used when cutting any aluminum trims.



DRIP SCREED

Product Detail



ALUMINUM PLASTER TRIMS

Trim Purpose

Flannery's Drip Screeds create a drip edge for moisture to "drip" off of stucco fascia edges thus preventing it from running back across a soffit. Drip Screeds are typically set at the corner joint where fascias meet a soffit. They come with a fascia leg that acts as a stucco stop and a reveal which acts as a drip edge. Select sizes of Flannery's Drip Screeds are available with Alignment Splices to assist in the installation process.

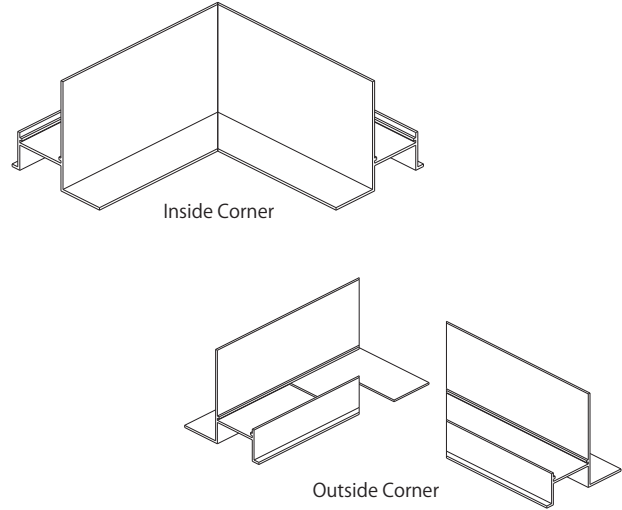
Manufacturer's Specifications

Flannery's Drip Screeds are standard extruded aluminum alloy 6063 T5 and have a .050" nominal wall thickness. Aluminum Plaster Trims come in 10' lengths and shall have a standard Clear Anodized Finish. Mill Finish (for field priming & painting), Chem-film finish or other factory finishes and custom paint orders are available. See page 60 for Factory Finishes.

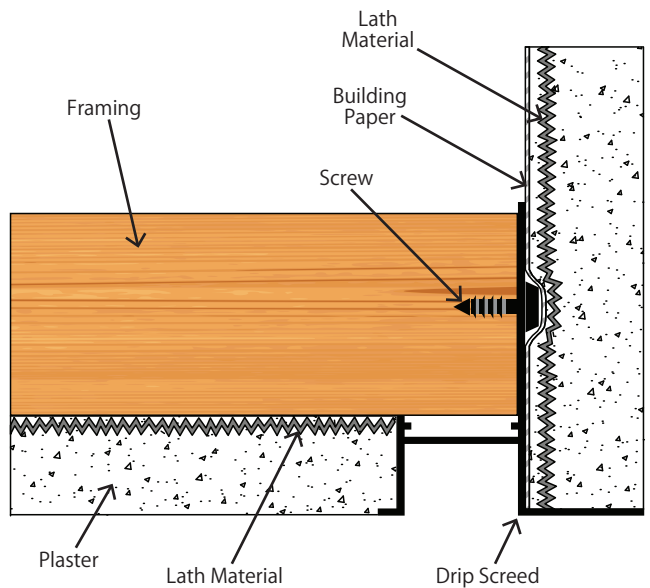
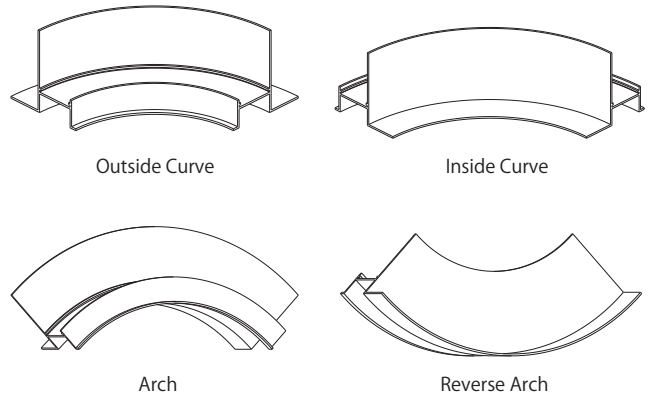
Attach Drip Screeds to the framing with nails, screws, or other approved fastening methods. Building paper or the weather resistant barrier must be installed over the vertical attachment flange of the Drip Screed. All plaster trims must be cut accurately and installed with tight, neat joints. All nailing flanges must be covered with lath and all butt joints must be sealed. See page 46 for venting options of the Drip Screed.

Part No.	"A" Width	"B" Width	"C" Height	Alignment Splices	Venting Available
DS 875-875	7/8"	7/8"	3/4"	Yes	Yes
DS 200-875	2"	7/8"	3/4"	N/A	Yes
DS 75-50	3/4"	1/2"	1/2"	N/A	N/A
DS 50-100	1/2"	1"	3/4"	N/A	N/A

Factory Corners

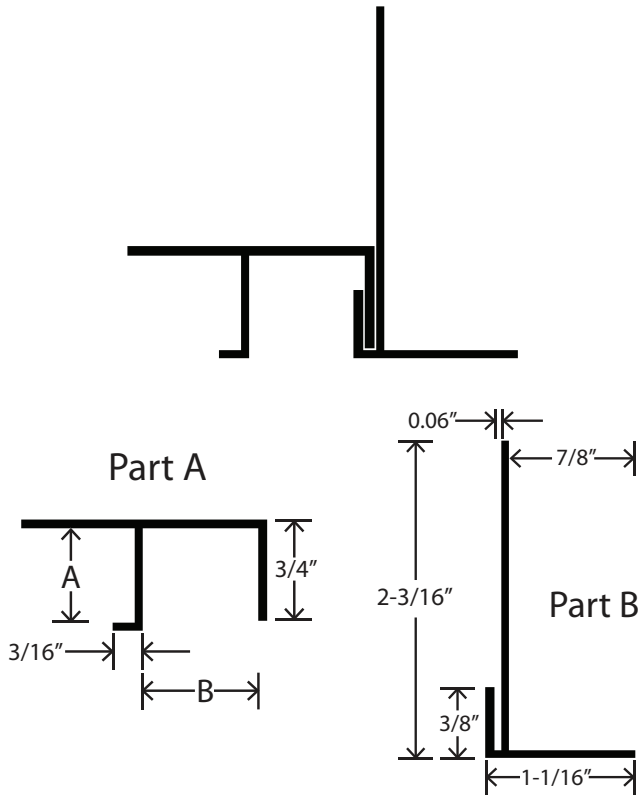


Radius Shapes



2-PIECE DRIP SCREED

Product Detail



Trim Purpose

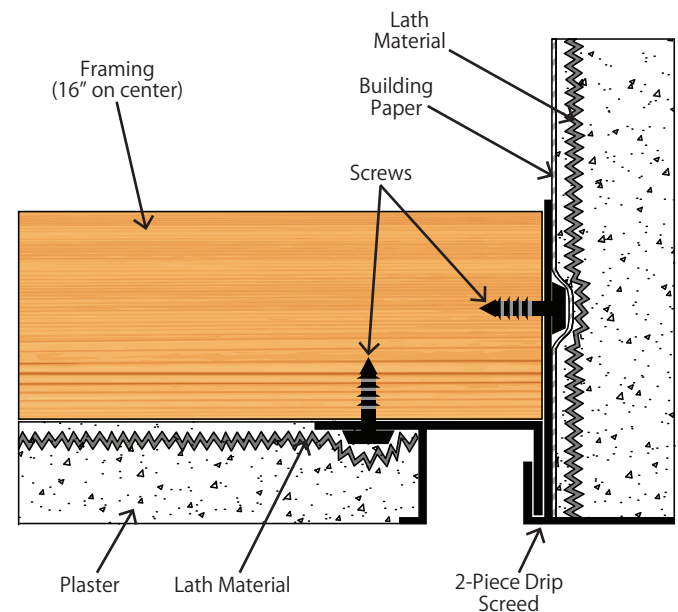
Flannery's 2-Piece Drip Screeds create a drip edge for moisture to "drip" off of stucco fascia edges thus preventing it from running back across a soffit. Drip Screeds are typically set at the corner joint where fascias meet a soffit. They come with a fascia leg that acts as a stucco stop and a reveal which acts as a drip edge. 2-Piece Drip Screeds come in various reveal depths and widths to accommodate a variety of stucco soffit thicknesses. Select sizes of Flannery's 2-Piece Drip Screeds are available with Alignment Splices to assist in the installation process.

Manufacturer's Specifications

Both Part A and Part B of Flannery's 2-Piece Drip Screeds are standard extruded aluminum alloy 6063 T5 and have a .050" nominal wall thickness. Aluminum Plaster trims come in 10' lengths and shall have a standard Clear Anodized Finish. Mill Finish (for field priming & painting), Chem-film finish or other factory finishes and custom paint orders are available. See page 60 for Factory Finishes.

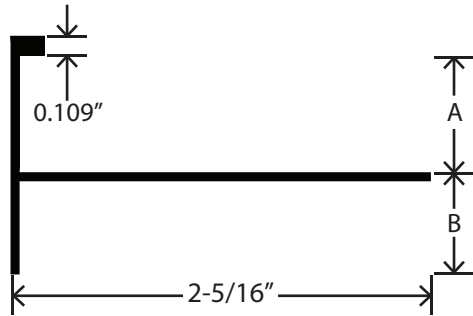
To ease installation, the installer should strike a line along the soffit and then attach Part A with its nailing flange along that line. Once the installer has fastened Part A to the soffit, then Part B can be inserted around Part A and up against the fascia. Attach Part A and Part B of the 2-Piece Drip Screed to the framing with nails, screws, or other approved fastening methods. Building paper or the weather resistant barrier must be installed over the vertical attachment flange of Part B. Manufacturer recommends that all joints be staggered. All plaster trims must be cut accurately and installed with tight, neat joints. All nailing flanges must be covered with lath and all butt joints must be sealed. See page 46 for venting options of the 2-Piece Drip Screed.

Part No.	"A" Depth	"B" Width	Alignment Splices	Venting Available
DS 50-75-2pc	1/2"	3/4"	N/A	Yes
DS 625-50-2pc	5/8"	1/2"	N/A	Yes
DS 625-75-2pc	5/8"	3/4"	N/A	Yes
DS 75-50-2pc	3/4"	1/2"	Yes	Yes
DS 75-75-2pc	3/4"	3/4"	Yes	Yes
DS 75-100-2pc	3/4"	1"	Yes	Yes
DS 75-150-2pc	3/4"	1 1/2"	Yes	Yes
DS 75-200-2pc	3/4"	2"	Yes	Yes
DS 75-300-2pc	3/4"	3"	Yes	Yes
DS 75-400-2pc	3/4"	4"	Yes	Yes



FASCIA CORNER MOLD

Product Detail



Trim Purpose

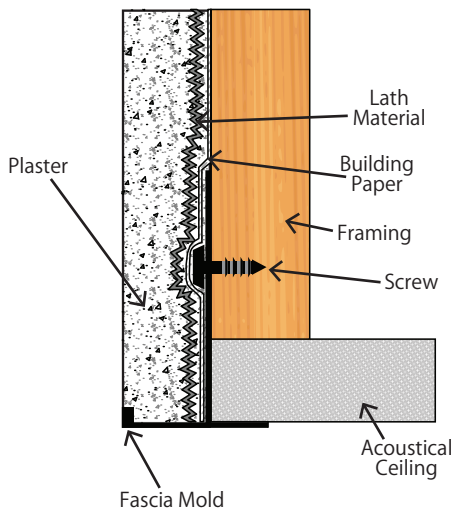
Flannery's Fascia Corner Molds create a transition corner where a plaster fascia edge meets a drywall or acoustical soffit. The horizontal fascia leg acts as a plaster stop, while the opposite flange acts as a soffit trim. Flannery's Fascia Corner Molds can also be used where an interior stucco or veneer plaster fascia terminates at an acoustical ceiling.

Manufacturer's Specification

Flannery's Fascia Corner Molds are standard extruded aluminum alloy 6063 T5 and have a .050" nominal wall thickness. Aluminum Plaster trims come in 10' lengths and shall have a standard Clear Anodized Finish. Mill Finish (for field priming & painting), Chem-film finish or other factory finishes and custom paint orders are available. See page 60 for Factory Finishes.

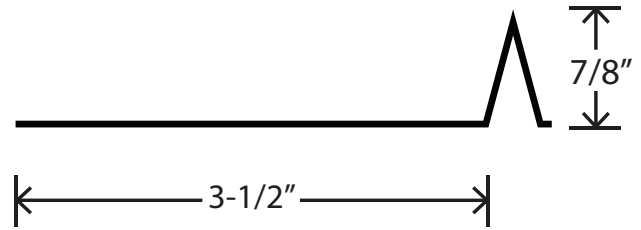
Attach Fascia Corner Molds to the framing with nails, screws, or other approved fastening methods. Building paper or the weather resistant barrier must be installed over the vertical attachment flange of the Fascia Corner Mold. All plaster trims must be cut accurately and installed with tight, neat joints. All nailing flanges must be covered with lath and all butt joints must be sealed.

Part No.	"A" Width	"B" Width
FCM 75-625	3/4"	5/8"
FCM 75-875	3/4"	7/8"



ALUMINUM WEEP

Product Detail



Trim Purpose

Flannery's Aluminum Weep Screenshot is a foundation weep screenshot with the benefit of a 3 1/2" code leg. It performs as a stucco stop typically installed at the base of a stucco wall system. Its main purpose is to alleviate moisture from behind the plaster cement layer of a stucco wall system. Flannery's Aluminum Weep Screenshot will out perform its galvanized counterpart since it will not rust out or deteriorate like a steel product.

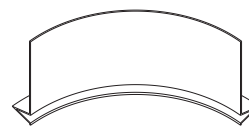
Manufacturer's Specification

Flannery's Aluminum Weep Screenshot is standard extruded aluminum alloy 6063 T5 and has a .050" nominal wall thickness. Aluminum Plaster trims come in 10' lengths and shall have a standard Clear Anodized Finish. Mill Finish (for field priming & painting), Chem-film finish or other factory finishes and custom paint orders are available. See page 60 for Factory Finishes.

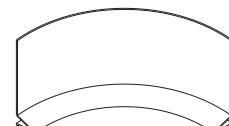
Attach the Aluminum Weep Screenshot to the framing with nails, screws, or other approved fastening methods. A horizontal layer of building paper (2 layers if installed over plywood sheathing) or the weather resistant barrier must be installed over the 3 1/2" vertical attachment flange. All Aluminum Weeps must be cut accurately and installed with tight, neat joints. All nailing flanges must be covered with lath and all butt joints must be sealed.

Part No. AW-875

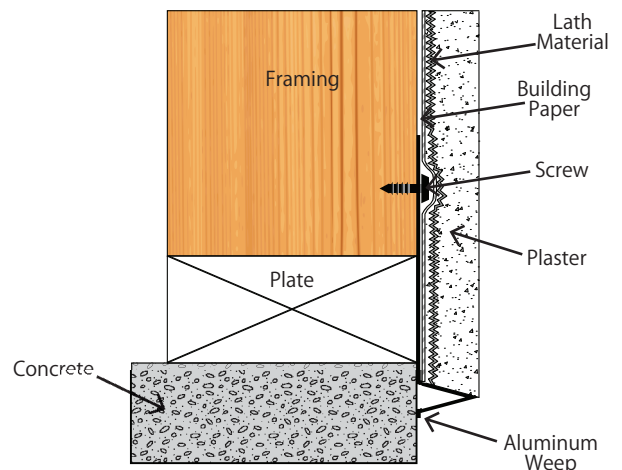
Radius Shapes



Reverse Arch

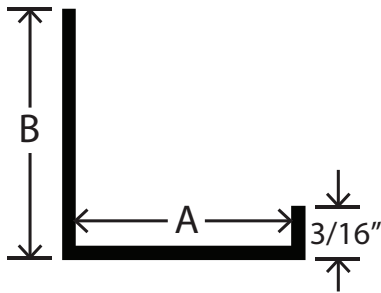


Arch



J-MOLD

Product Detail

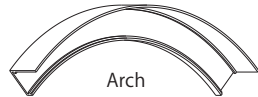


Trim Purpose

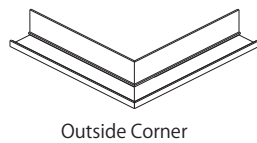
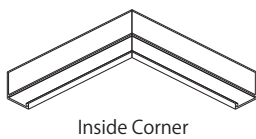
Flannery's J-Mold is a termination trim that is used to terminate stucco, veneer plaster, drywall or wood panels. Typically installed where a stucco wall terminates at an opposing wall or dissimilar material, the J-Mold can act as a stucco stop.

Part No.	"A" Width	"B" Height
JPM 375	3/8"	1"
JPM 50	1/2"	1"
JPM 625	5/8"	1"
JPM 75	3/4"	1"
JPM 850-100	7/8"	1"
JPM 850-200	7/8"	2"

Radius Shapes



Inside & Outside Corners



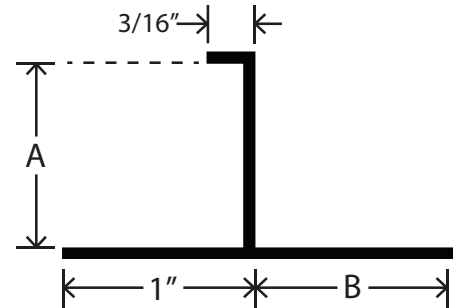
Manufacturer's Specifications

Flannery's Aluminum Termination Trims are standard extruded aluminum alloy 6063 T5 and have a .050" nominal wall thickness. Termination Trims come in 10' lengths and shall have a standard Clear Anodized Finish. Mill Finish (for field priming & painting), Chem-film finish or other factory finishes and custom paint orders are available. See page 60 for Factory Finishes. All Aluminum Trims must be cut accurately and installed with tight, neat joints.

If used in a stucco wall system, attach all Termination Trims over the weather resistant barrier (WRB) to the framing with nails, screws, or other approved fastening methods. A shiplap of building paper or WRB may need to be installed over the attachment flange if the trims are being used as a stucco stop. All nailing flanges must be covered with lath and all butt joints must be sealed.

T-MOLD

Product Detail

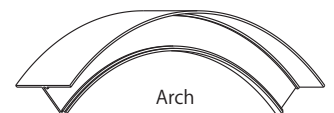
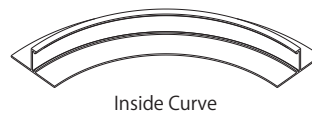
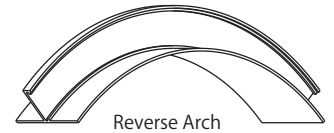
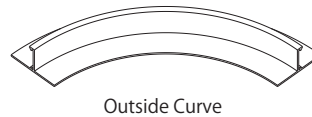


Trim Purpose

Flannery's T-Mold creates an aesthetic termination trim with a reveal wherever you wish to terminate stucco, veneer plaster, drywall or wood panels. Typically installed where a stucco wall terminates at an opposing wall or dissimilar material, Flannery's T-Mold can act as a stucco stop with a built in reveal. See page 63 for venting options of the T-Mold.

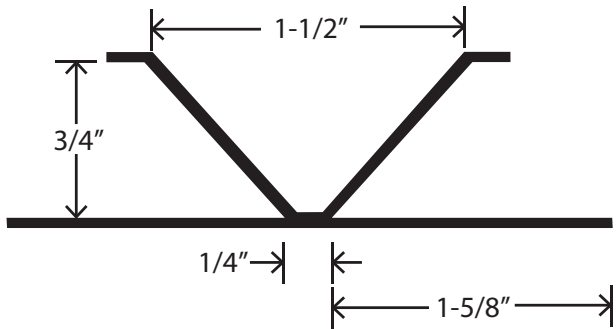
Part No.	"A" Depth	"B" Width	Venting Available
TPM 50-100	1/2"	1"	Yes
TPM 625-50	5/8"	1/2"	Yes
TPM 625-75	5/8"	3/4"	Yes
TPM 625-100	5/8"	1"	Yes
TPM 75-50	3/4"	1/2"	Yes
TPM 75-75	3/4"	3/4"	Yes
TPM 75-100	3/4"	1"	Yes
TPM 75-150	3/4"	1 1/2"	Yes
Custom Sizes Available			

Radius Shapes



DEEP V-REVEAL

Product Detail



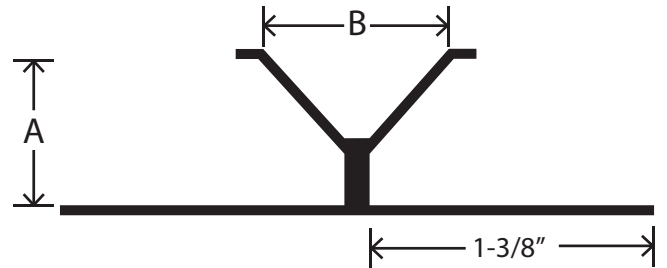
Trim Purpose

Flannery's Plaster Deep V-Reveal creates an aesthetic reveal in any stucco wall system. Plaster Deep V-Reveals break up plaster or stucco walls by creating horizontal and vertical reveal lines. Flannery's Plaster Deep V-Reveal has a unique angled reveal compared to the "square-shaped" Plaster Channel Screed.

Part No. DV 75-150

SHORT V-REVEAL

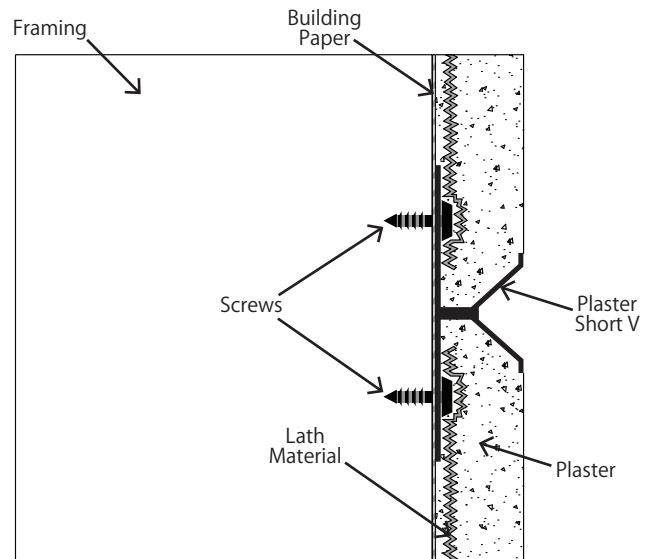
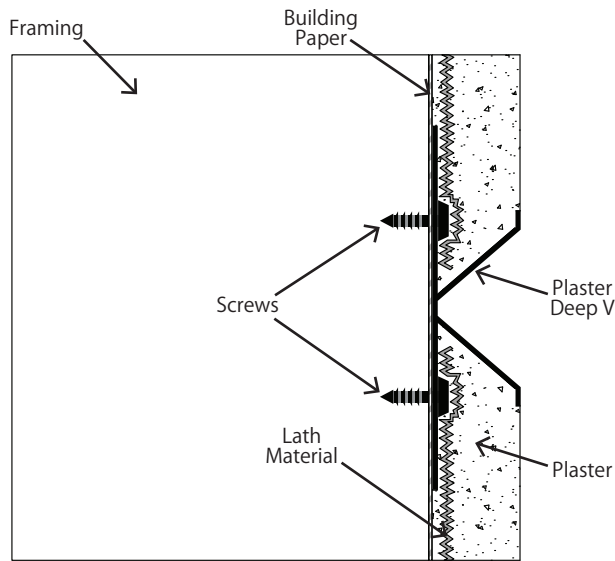
Product Detail



Trim Purpose

Flannery's Plaster Short V-Reveal creates an aesthetic reveal in any stucco wall system. Plaster Short V-Reveals break up plaster or stucco walls by creating horizontal and vertical reveal lines. Flannery's Plaster Short V-Reveals are more shallow and have a unique angled reveal compared to the "square-shaped" Plaster Control Joint.

Part No.	"A" Depth	"B" Width
SV 625-75	5/8"	3/4"
SV 75-75	3/4"	3/4"



Manufacturer's Specifications

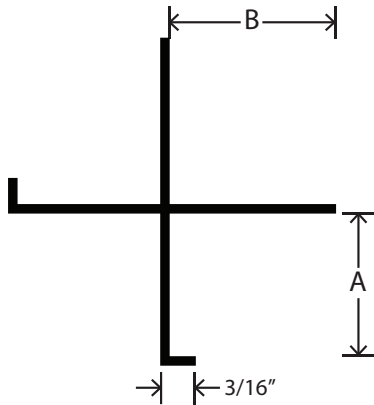
Flannery's Plaster V-Reveals are standard extruded aluminum alloy 6063 T5 and have a .050" nominal wall thickness. Plaster V-Reveals come in 10' lengths and shall have a standard Clear Anodized Finish. Mill Finish (for field priming & painting), Chem-film finish or other factory finishes and custom paint orders are available. See page 60 for Factory Finishes.

Attach Plaster V-Reveals over the weather resistant barrier to the framing with nails, screws, or other approved fastening methods. All Plaster Trims must be cut accurately and installed with tight, neat joints. All nailing flanges must be covered with lath and all butt joints must be sealed. To assist the installer, Flannery provides vinyl connector clips with every stick of Plaster V-Reveals ordered.

ALUMINUM PLASTER TRIMS

X-MOLD

Product Detail

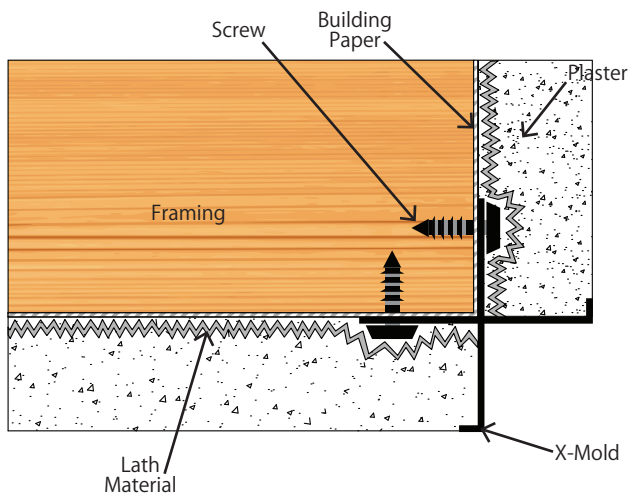


Trim Purpose

Flannery's Plaster X-Mold is an outside corner trim that creates an aesthetic reveal at a 90° outside corner. Plaster X-Molds are straighter and cleaner corner trims compared to a standard welded wire corner. Plaster X-Molds can also be used with veneer plaster, drywall and wood panel systems.

Part No.	"A" Width	"B" Width	Alignment Splices
XPM 50-50	1/2"	7/8"	N/A
XPM 625-625	5/8"	7/8"	N/A
XPM 75-75 (STD)	3/4"	1"	N/A
XPM 75-75 (AS)	3/4"	1"	Yes

*See Page 62 for Alignment Splice Information



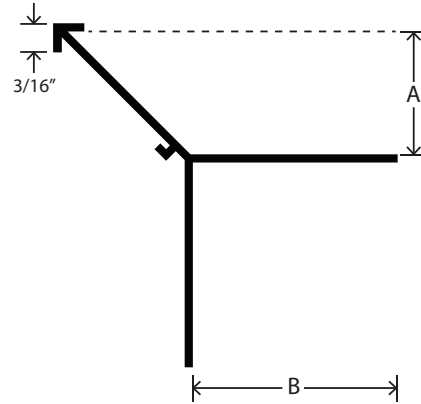
Manufacturer's Specifications

Flannery's Plaster Corner Trims are standard extruded aluminum alloy 6063 T5 and have a .050" nominal wall thickness. Plaster Corner Trims come in 10' lengths and shall have a standard Clear Anodized Finish. Mill Finish (for field priming & painting), Chem-film finish or other factory finishes and custom paint orders are available. See page 60 for Factory Finishes.

Attach Plaster Corner Trims over the weather resistant barrier to the framing with nails, screws, or other approved fastening methods. All Plaster Trims must be cut accurately and installed with tight, neat joints. All nailing flanges must be covered with lath and all butt joints must be sealed.

PLASTER CORNER MOLD

Product Detail

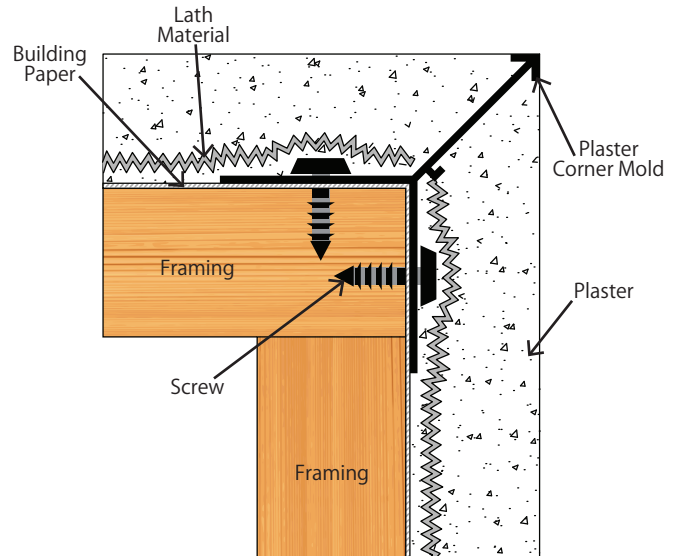


Trim Purpose

Flannery's Plaster Corner Mold is an outside corner trim that creates a sharp 90° aluminum corner. Plaster Corner Molds are straighter and cleaner corner trims compared to a standard welded wire corner. Plaster Corner Molds can also be used with veneer plaster, drywall and wood panel systems.

Part No.	"A" Width	"B" Width	Alignment Splices
PCM 50	1/2"	1 1/4"	N/A
PCM 75-75 (STD)	3/4"	7/8"	N/A
PCM 75-75 (AS)*	3/4"	1 1/4"	Yes

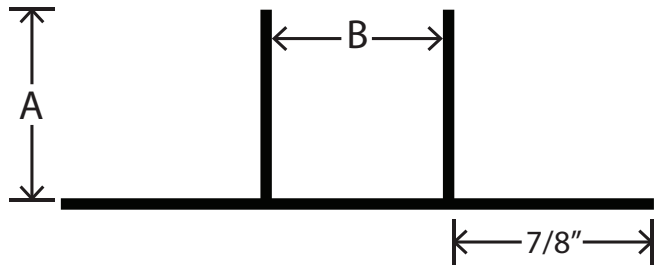
*See Page 62 for Alignment Splice Information



ALUMINUM PLASTER TRIMS

SMOOTH FINISH CHANNEL

Product Detail

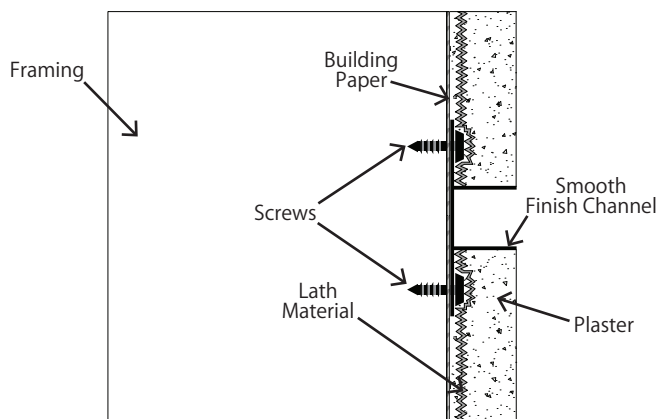


Trim Purpose

Flannery's Smooth Finish Channels create an aesthetic reveal in any stucco wall system. Smooth Finish Channels break up plaster or stucco walls by creating horizontal and vertical reveal lines. Flannery's Smooth Finish Channels are unique because they do not have the traditional plaster key at the reveal edge. With the plaster key removed, the plasterer can bring his finish coat right up to the reveal edge creating a clean sharp edge.

Part No.	"A" Depth	"B" Width	Venting Available
SFC 468-375	15/32"	3/8"	N/A
SFC 50-25	1/2"	1/4"	N/A
SFC 50-50	1/2"	1/2"	Yes
SFC 50-75	1/2"	3/4"	Yes
SFC 75-25	3/4"	1/4"	N/A
SFC 75-50	3/4"	1/2"	Yes
SFC 75-75	3/4"	3/4"	Yes
SFC 75-100	3/4"	1"	Yes
SFC 75-200	3/4"	2"	Yes

Custom Sizes Are Available



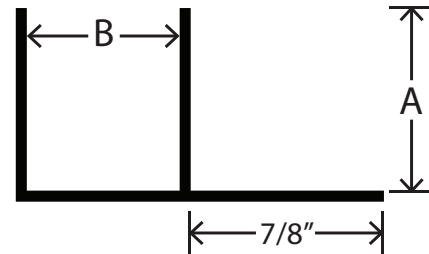
Manufacturer's Specifications

Flannery's Smooth Finish Trims are standard extruded aluminum alloy 6063 T5 and have a .050" nominal wall thickness. Aluminum Plaster trims come in 10' lengths and shall have a standard Clear Anodized Finish. Mill Finish (for field priming & painting), Chem-film finish or other factory finishes and custom paint orders are available. See page 60 for Factory Finishes.

Attach Smooth Finish Trims over the weather resistant barrier to the framing with nails, screws, or other approved fastening methods. All Plaster Trims must be cut accurately and installed with tight, neat joints. All nailing flanges must be covered with lath and all butt joints must be sealed. See page 63 for venting options of the Smooth Finish Channel and the Smooth Finish F-Mold.

SMOOTH FINISH F-MOLD

Product Detail

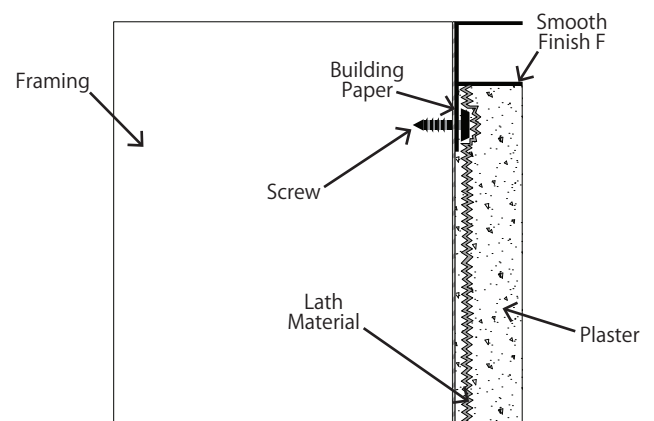


Trim Purpose

Flannery's Smooth Finish F-Mold creates an aesthetic termination reveal in any stucco wall system. Typically installed where a stucco wall terminates at an opposing wall or dissimilar material, the Smooth Finish F-Mold can act as a stucco stop with a built in reveal. Flannery's Smooth Finish F-Molds are unique because they do not have the traditional plaster key at the reveal edge. With the plaster key removed, the plasterer can bring his finish coat right up to the reveal edge creating a clean sharp edge.

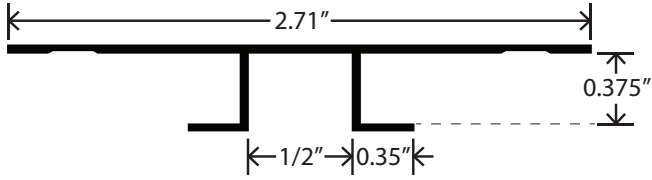
Part No.	"A" Depth	"B" Width	Venting Available
SFF 468-375	15/32"	3/8"	N/A
SFF 50-25	1/2"	1/4"	N/A
SFF 50-50	1/2"	1/2"	Yes
SFF 50-75	1/2"	3/4"	Yes
SFF 75-25	3/4"	1/4"	N/A
SFF 75-50	3/4"	1/2"	Yes
SFF 75-75	3/4"	3/4"	Yes
SFF 75-100	3/4"	1"	Yes
SFF 75-200	3/4"	2"	Yes

Custom Sizes Are Available



CEMENT PANEL SCREED

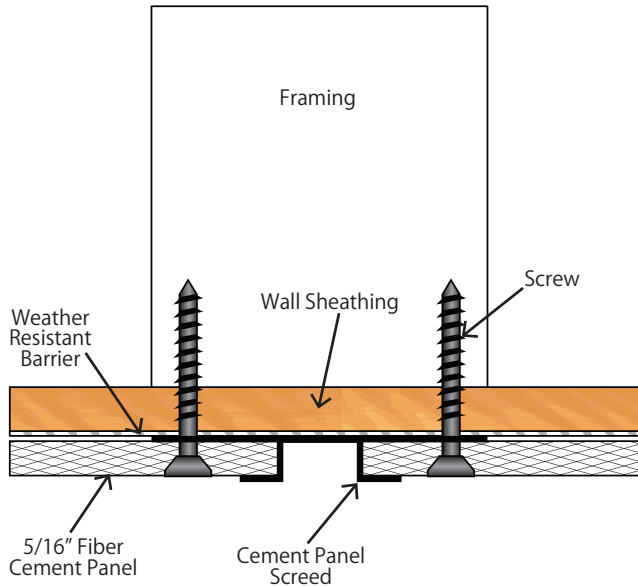
Product Detail



Trim Purpose

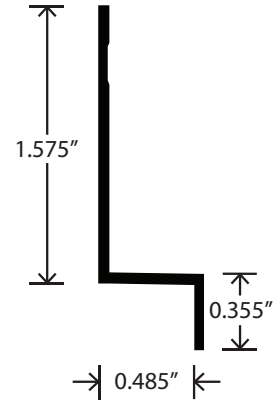
Flannery's Cement Panel Screed creates a vertical reveal between two Fiber Cement Panels. The Cement Panel Screed is an attractive alternative to butting one cement panel to another. Please Note: Flannery's Cement Panel Screed must not be used as a horizontal reveal.

Part No. CPS 375-50



CEMENT PANEL Z-FLASH

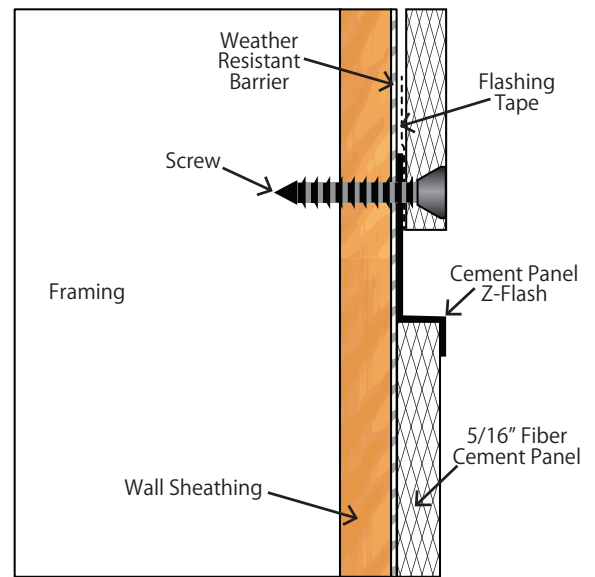
Product Detail



Trim Purpose

Flannery's Cement Panel Z-Flash creates a horizontal reveal between two Fiber Cement Panels. The Cement Panel Z-Flash assists in moving moisture out from behind cement panels and away from the weather resistant barrier.

Part No. CPZ 50

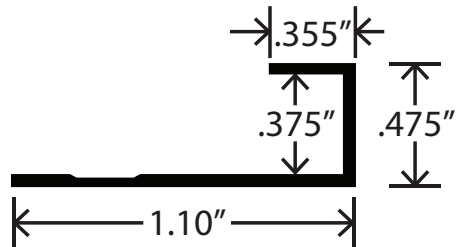


Manufacturer's Specifications

Flannery's Cement Panel Trims are standard extruded aluminum alloy 6063 T5 and have a .050" nominal wall thickness. Cement Panel Trims come in 10' lengths and shall have a standard Clear Anodized or Chem-Film Finish (for field priming & painting). Other factory finishes and custom paint orders are available. See page 60 for Factory Finishes. Please Note: Flannery's Cement Panel Screed must not be used as a horizontal reveal. Installation of Cement Panel Trims must be in accordance with the Fiber Cement Panel Manufacturer's Instructions.

CEMENT PANEL J-MOLD

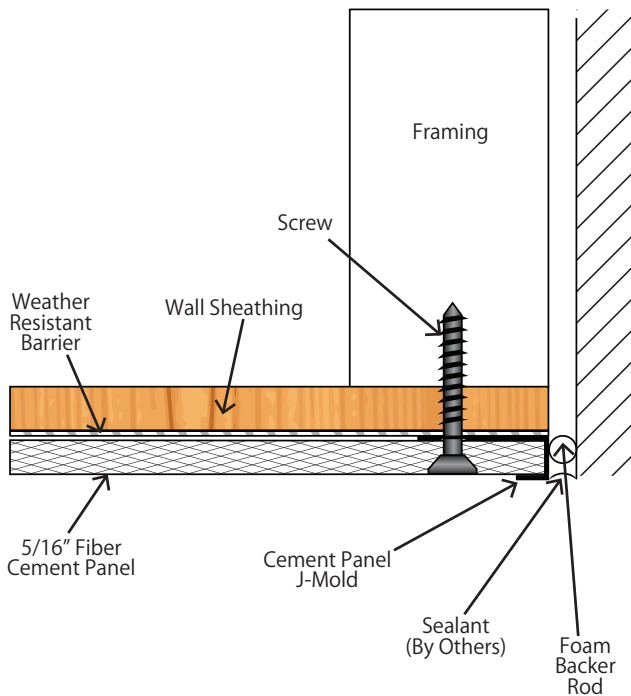
Product Detail



Trim Purpose

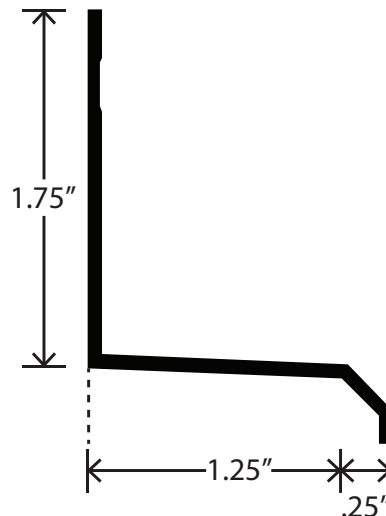
Flannery's Cement Panel J-Mold is an edge trim, which helps finish cement panels that terminate against dissimilar materials such as doors or windows.

Part No. CPJ 375



CEMENT PANEL DRIP CAP

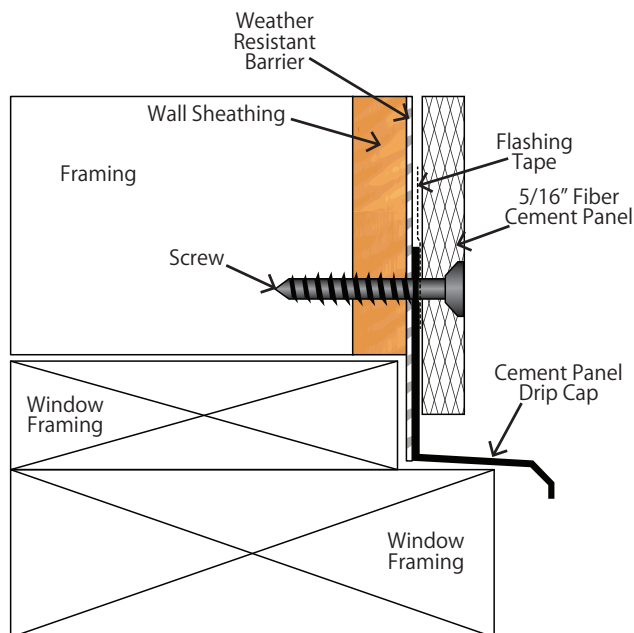
Product Detail



Trim Purpose

Flannery's Cement Panel Drip Cap is a horizontal edge trim that creates an aesthetic reveal where a cement panel is installed over a door or window. The Cement Panel Drip Cap assists in moving moisture out from behind cement panels and away from the weather resistant barrier.

Part No. CPD 1250



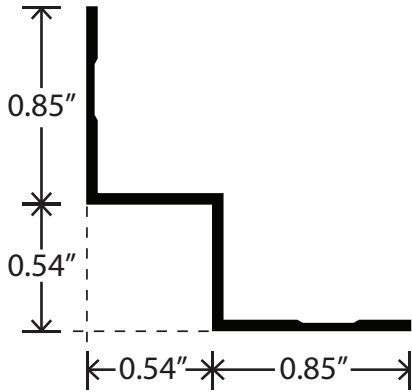
Manufacturer's Specifications

Flannery's Cement Panel Trims are standard extruded aluminum alloy 6063 T5 and have a .050" nominal wall thickness. Cement Panel Trims come in 10' lengths and shall have a standard Clear Anodized or Chem-Film Finish (for field priming & painting). Other factory finishes and custom paint orders are available. See page 60 for Factory Finishes. Installation of Cement Panel Trims must be in accordance with the Fiber Cement Panel Manufacturer's Instructions.

CEMENT PANEL TRIMS

CEMENT PANEL W-MOLD

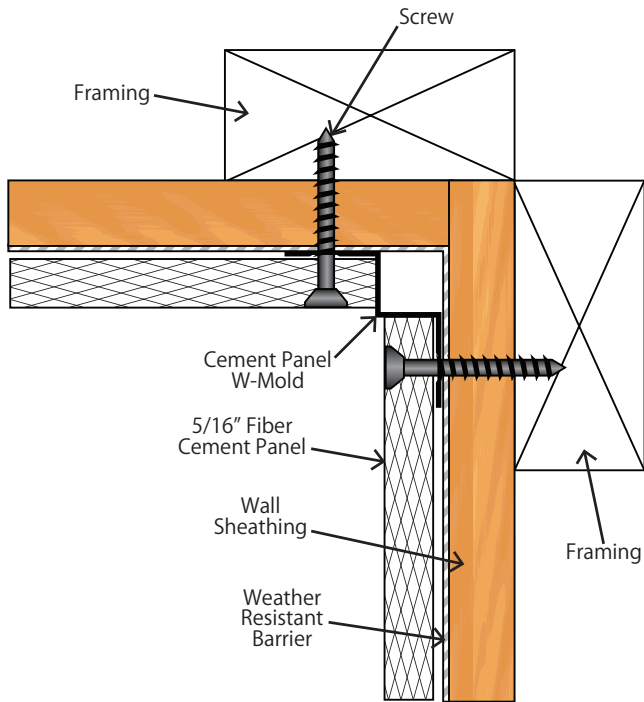
Product Detail



Trim Purpose

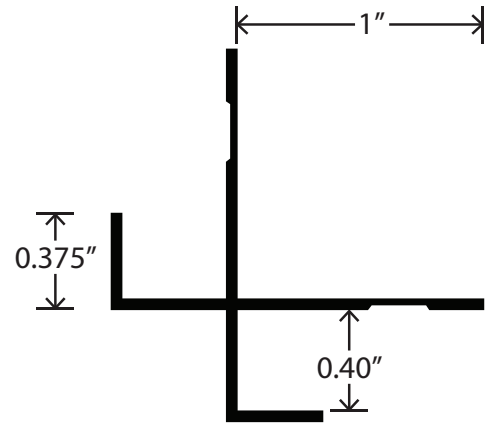
Flannery's Cement Panel W-Mold is an inside corner trim that creates a termination point between two Fiber Cement Panels that meet at an inside 90° corner.

Part No. CPW 50-50



CEMENT PANEL X-MOLD

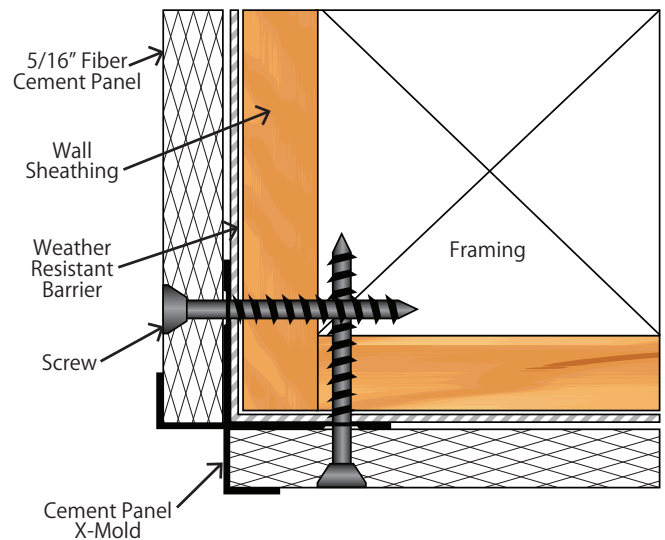
Product Detail



Trim Purpose

Flannery's Cement Panel X-Mold is an outside corner trim that creates an aesthetic reveal where two cement panels come together at an outside 90° corner.

Part No. CPX 375-375

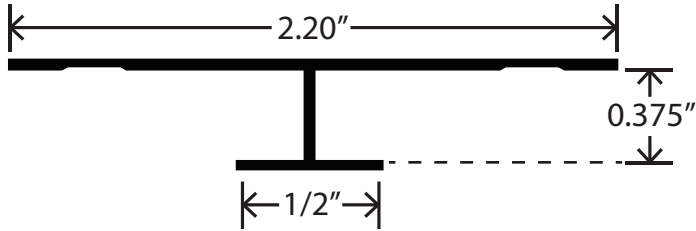


Manufacturer's Specifications

Flannery's Cement Panel Trims are standard extruded aluminum alloy 6063 T5 and have a .050" nominal wall thickness. Cement Panel Trims come in 10' lengths and shall have a standard Clear Anodized or Chem-Film Finish (for field priming & painting). Other factory finishes and custom paint orders are available. See page 60 for Factory Finishes. Installation of Cement Panel Trims must be in accordance with the Fiber Cement Panel Manufacturer's Instructions.

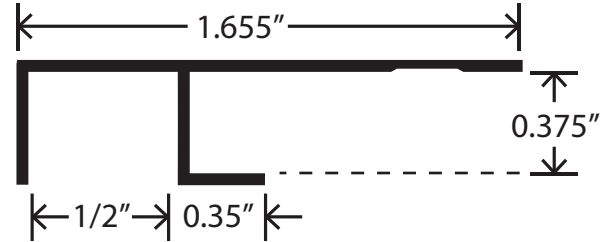
CEMENT PANEL H-MOLD

Product Detail



CEMENT PANEL F-MOLD

Product Detail



Trim Purpose

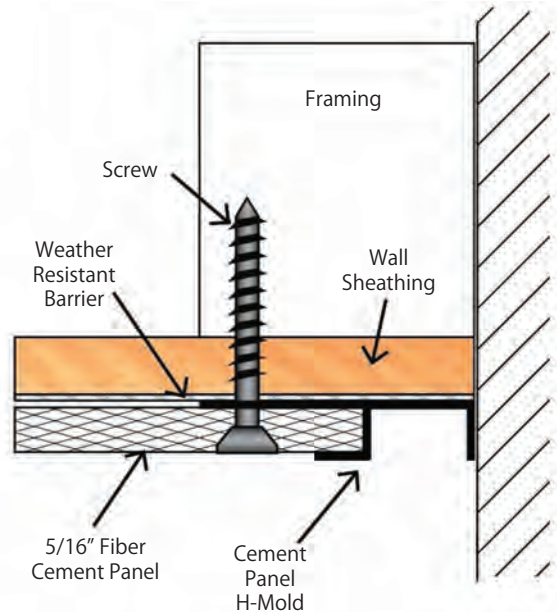
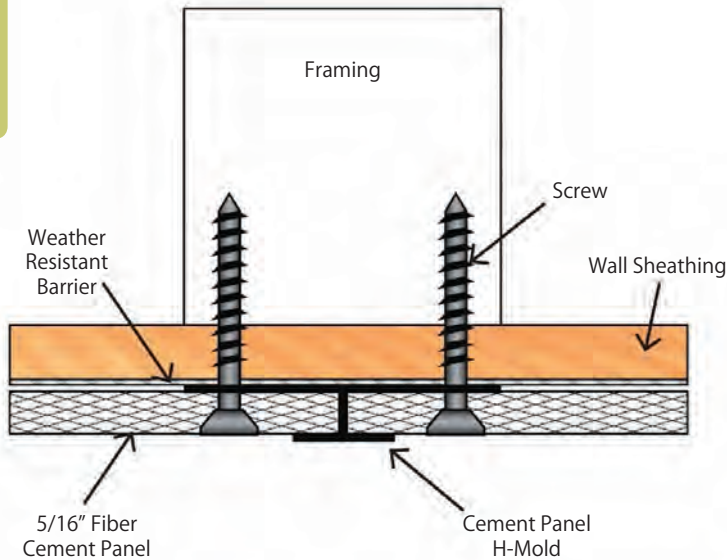
Flannery's Cement Panel H-Mold creates a vertical "flat-face" reveal between two adjoining Fiber Cement Panels. The Cement Panel H-Mold is an attractive alternative to butting one cement panel to another. Please Note: Flannery's Cement Panel H-Mold must not be used as a horizontal reveal.

Trim Purpose

Flannery's Cement Panel F-Mold creates an aesthetic termination reveal between a Fiber Cement Panel and a dissimilar material. The Cement Panel F-Mold is an attractive alternative to butting one cement panel to a dissimilar wall, door or window frame. Please Note: Flannery's Cement Panel F-Mold must not be used as a horizontal reveal where the face leg points up.

Part No. CPH 375-50

Part No. CPF 375-50



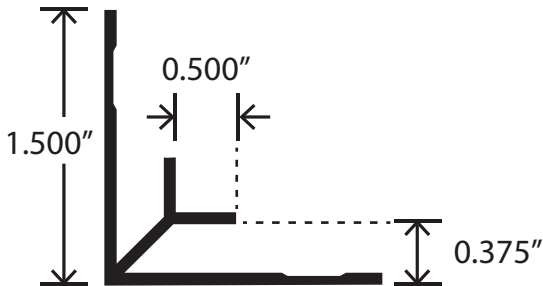
Manufacturer's Specifications

Flannery's Cement Panel Trims are standard extruded aluminum alloy 6063 T5 and have a .050" nominal wall thickness. Cement Panel Trims come in 10' lengths and shall have a standard Clear Anodized or Chem-Film Finish (for field priming & painting). Other factory finishes and custom paint orders are available. See page 60 for Factory Finishes. Installation of Cement Panel Trims must be in accordance with the Fiber Cement Panel Manufacturer's Instructions.

CEMENT PANEL TRIMS

CEMENT PANEL INSIDE CORNER

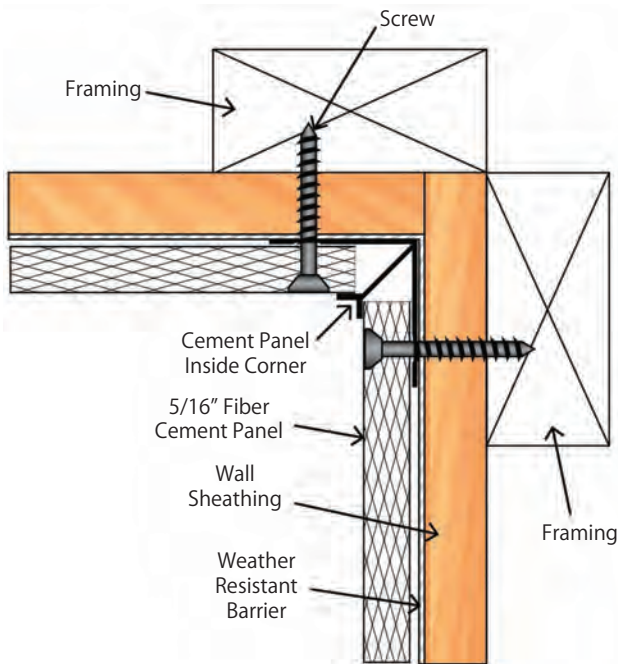
Product Detail



Trim Purpose

Flannery's Cement Panel Inside Corner Reveal creates an aesthetic termination reveal between two Fiber Cement Panels that meet at an inside 90° corner. The Cement Panel Inside Corner Reveal is an attractive alternative to simply butting two cement panels against one another at an inside corner.

Part No. CPIC 375-50

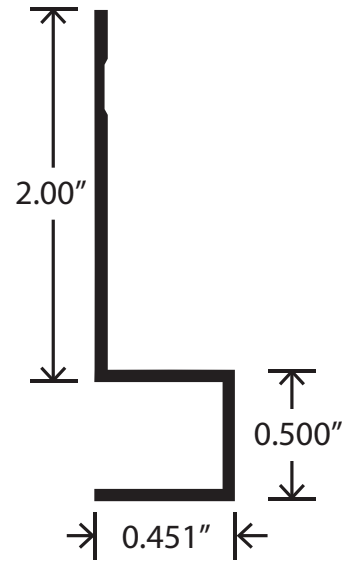


Manufacturer's Specifications

Flannery's Cement Panel Trims are standard extruded aluminum alloy 6063 T5 and have a .050" nominal wall thickness. Cement Panel Trims come in 10' lengths and shall have a standard Clear Anodized or Chem-Film Finish (for field priming & painting). Other factory finishes and custom paint orders are available. See page 60 for Factory Finishes. Installation of Cement Panel Trims must be in accordance with the Fiber Cement Panel Manufacturer's Instructions.

CEMENT PANEL BASE MOLD

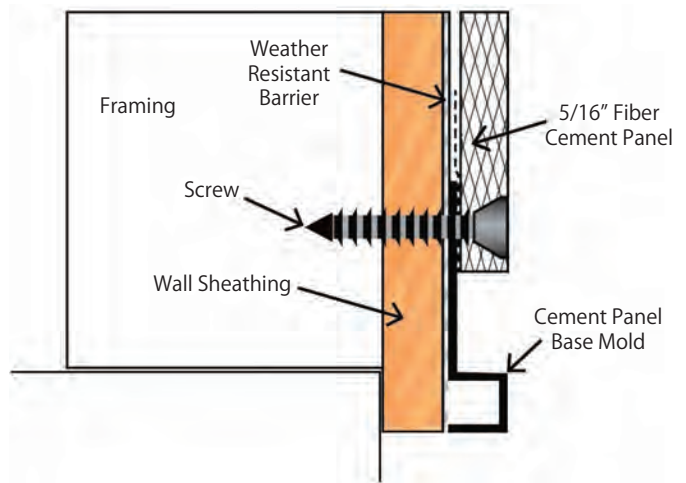
Product Detail



Trim Purpose

Flannery's Cement Panel Base Mold creates an aesthetic horizontal line at the bottom of a Fiber Cement Panel wall system. The top of the Cement Panel Base Mold is sloped to allow moisture to run off of the top of the trim.

Part No. CPB 375-50



CEMENT PANEL TRIMS

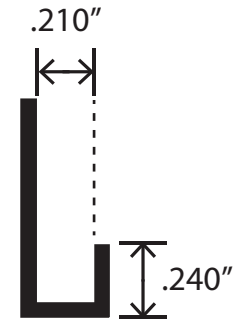
TRIMS FOR TRUGRAIN MADE WITH RESYSTA

Flannery is proud to offer trims compatible with TruGrain made with Resysta siding products! Trugrain made with Resysta combines mineral oil, rice husks, and salt to create an eco-friendly and superior alternative to natural wood siding. TruGrain's unique combination of materials provides it with the same look and feel of wood, but without any of the negative side effects. After working with both TruGrain and their installers, Flannery has designed several new profiles of highly sustainable aluminum trims compatible with TruGrain siding products. Our trims will not only assist with the installation of the siding, but will also aid in maintaining and enhancing the aesthetic design of this new wall system. Take a close look at the trims featured, and you will be amazed with all of the design possibilities that Flannery's trims and TruGrain made with Resysta siding have to offer.



SIDING STARTER STRIP

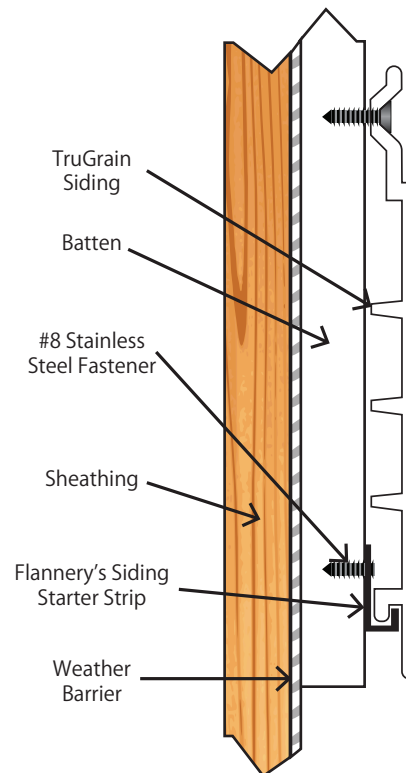
Product Detail



Trim Purpose

Flannery's Starter Strip is a trim for siding which was designed to enable the installer to hang the first level of siding to the wall. Since Trugrain Siding Flatboard is similar to a "tongue and groove" system, it needs something for the first layer to hook to when being hung. The Starter Strip is installed at the base of the wall where the first piece of siding will go on. The following layers of siding then hook to each other in a typical tongue and groove process. Flannery's Starter Strip is an extruded aluminum product so it will maintain a rigid and clean edge for the siding to start from.

Part No. SJS 25-187

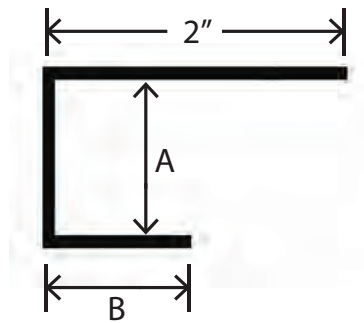


Manufacturer's Specifications

Flannery's Siding Trims are standard extruded aluminum alloy 6063 T5 and have a .050" nominal wall thickness. Aluminum Siding Trims come in 10' lengths and shall have a standard Mill Finish (for field priming & painting). Clear Anodized, Chem-film finish or other factory finishes and custom paint orders are available.

SIDING J-MOLD

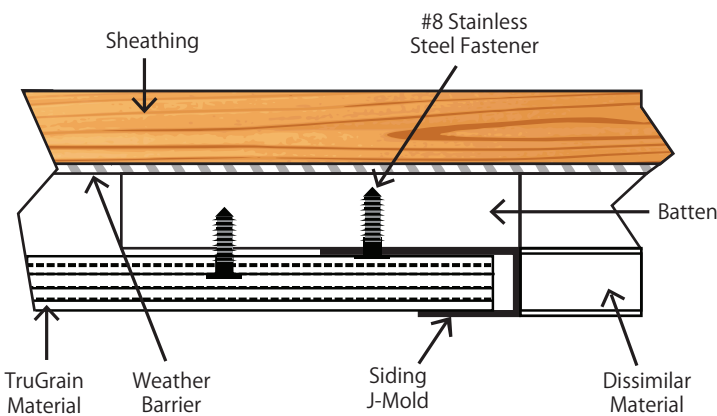
Product Detail



Trim Purpose

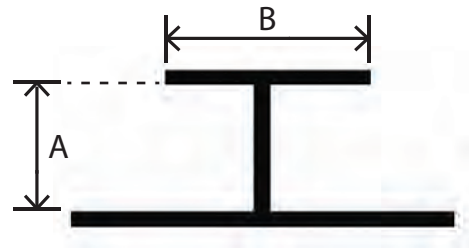
Flannery's Siding J-Mold is a termination trim for siding that allows the siding to terminate against a dissimilar wall or material. By using the Siding J-Mold you can maintain a nice clean flow of the siding and avoid any rough edges from disrupting the aesthetics of the wall system. The trim comes with a 1" face flange, which allows the installer to slide the siding in behind the flange and cover any unfinished edges. The larger leg of the Siding J-Mold also allows for any possible expansion or contraction of the siding along a horizontal run.

Part No.	"A" Width	"B" Width	Compatible Siding
SJM 625-100	5/8"	1"	TGR Siding Flatboard
SJM 875-100	7/8"	1"	TGR 3/4" Hollow Board



SIDING H-MOLD

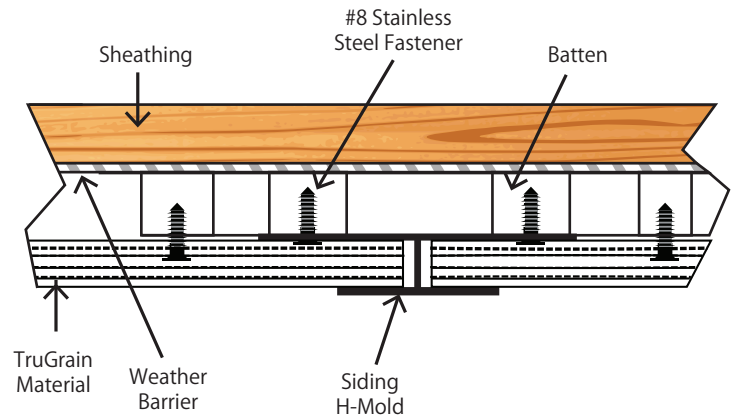
Product Detail



Trim Purpose

Flannery's Siding H-Mold is a trim for siding that creates a "flat-face" reveal over two adjoining siding pieces. The Siding H-Mold is a necessary addition to the TruGrain made with Resysta siding products as it will add a relief to the expansion and contraction of the siding. The Siding H-Mold fits neatly in between two panels and comes with a 1" face flange, which allows the installer to slide the siding in behind the flange and cover the unfinished edge of the panel.

Part No.	"A" Width	"B" Width	Compatible Siding
SHM 625-100	5/8"	1"	TGR Siding Flatboard
SHM 875-100	7/8"	1"	TGR 3/4" Hollow Board



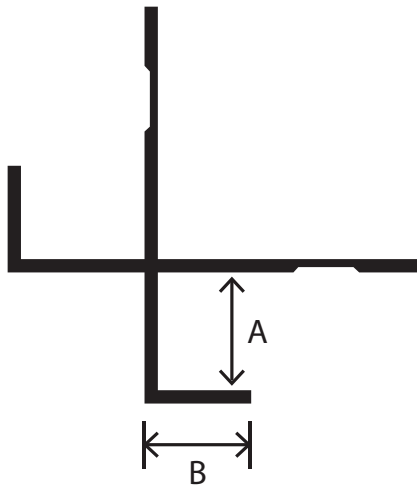
TRUGRAIN SIDING TRIM

Manufacturer's Specifications

Flannery's Siding Trims are standard extruded aluminum alloy 6063 T5 and have a .050" nominal wall thickness. Aluminum Siding Trims come in 10' lengths and shall have a standard Mill Finish (for field priming & painting). Clear Anodized, Chem-film finish or other factory finishes and custom paint orders are available.

SIDING X-MOLD

Product Detail

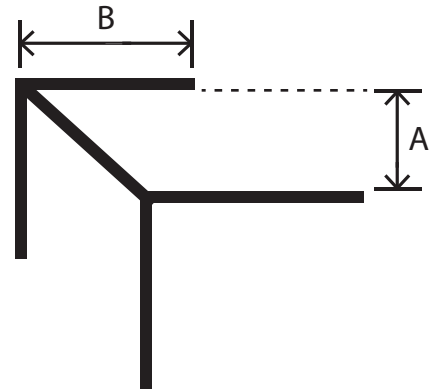


Trim Purpose

Flannery's Siding X-Mold is a trim that creates an aesthetic reveal at a 90° outside corner joint where siding is installed. The Siding X-Mold creates a solid and clean corner reveal for the siding system which would normally require the siding to be mitered and laid together at the edge. With a 1" face flange, the Siding X-Mold allows the installer to slide the siding in behind the flange and cover the unfinished edges of the siding. The larger face leg of the Siding X-Mold also allows for any possible expansion or contraction of the siding along a horizontal run.

SIDING OUTSIDE CORNER

Product Detail



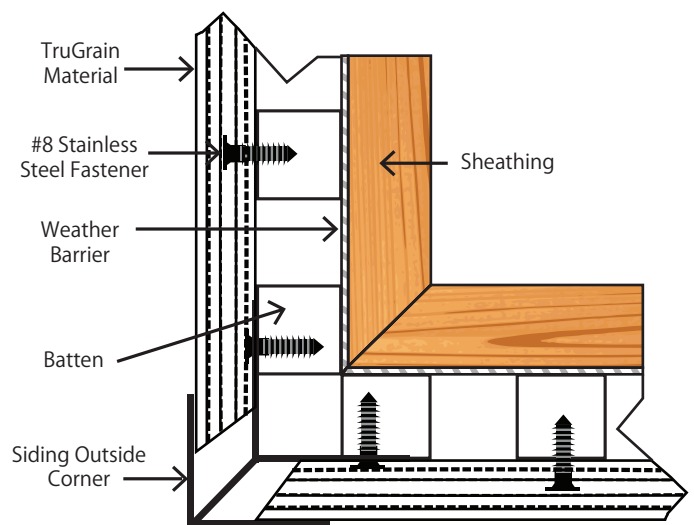
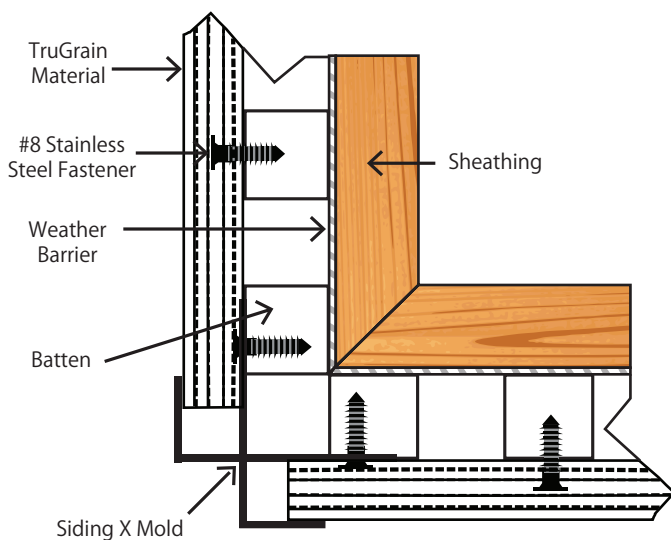
Trim Purpose

Flannery's Siding Outside Corner is a trim that creates a sharp and crisp corner edge where siding is installed on walls that meet at a 90° outside corner joint. The Outside Corner trim creates a solid and clean corner for the siding system which would normally require the siding to be mitered and laid together at the edge. With a 1" flange, the Outside Corner allows the installer to slide the siding in behind the flange and cover the unfinished edges of the mitered siding. The larger face leg of the Siding Outside Corner also allows for any possible expansion or contraction of the siding along a horizontal run.

TRUGRAIN SIDING TRIM

Part No.	"A" Width	"B" Width	Compatible Siding
SXM 625-100	5/8"	1"	TGR Siding Flatboard
SXM 875-100	7/8"	1"	TGR 3/4" Hollow Board

Part No.	"A" Width	"B" Width	Compatible Siding
SOC 625-100	5/8"	1"	TGR Siding Flatboard
SOC 875-100	7/8"	1"	TGR 3/4" Hollow Board

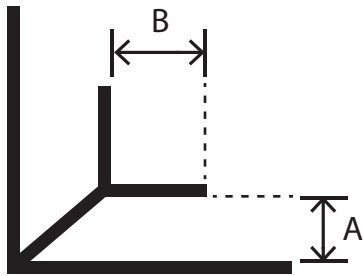


Manufacturer's Specifications

Flannery's Siding Trims are standard extruded aluminum alloy 6063 T5 and have a .050" nominal wall thickness. Aluminum Siding Trims come in 10' lengths and shall have a standard Mill Finish (for field priming & painting). Clear Anodized, Chem-film finish or other factory finishes and custom paint orders are available.

SIDING INSIDE CORNER

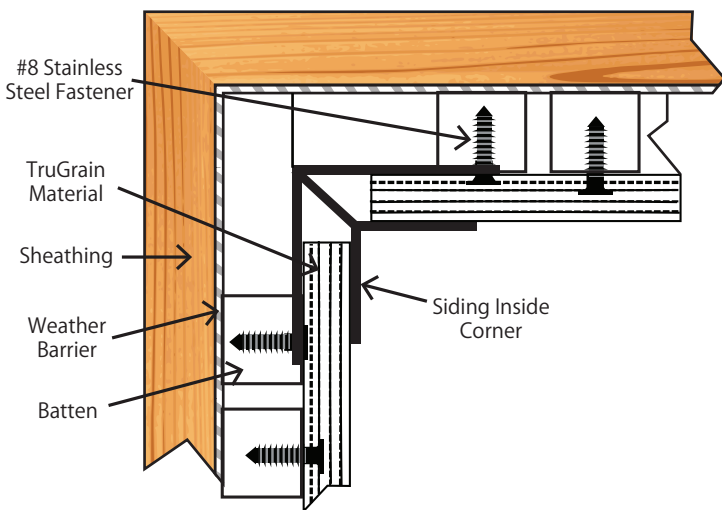
Product Detail



Trim Purpose

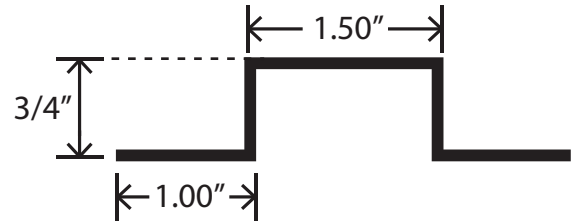
Flannery's Siding Inside Corner is a trim that creates a sharp and crisp corner where siding is installed on walls that meet at a 90° inside corner joint. The Inside Corner trim creates a solid and clean corner for the siding system which would normally require the two pieces of siding to be laid together at an inside corner. With a 1" face flange, the Inside Corner allows the installer to slide the siding in behind the flange and cover the unfinished edges of the siding. The larger face leg of the Siding Inside Corner allows for any possible expansion or contraction of the siding along a horizontal run.

Part No.	"A" Width	"B" Width	Compatible Siding
SIC 625-100	5/8"	1"	TGR Siding Flatboard
SIC 875-100	7/8"	1"	TGR 3/4" Hollow Board



ALUMINUM FURRING STRIP

Product Detail

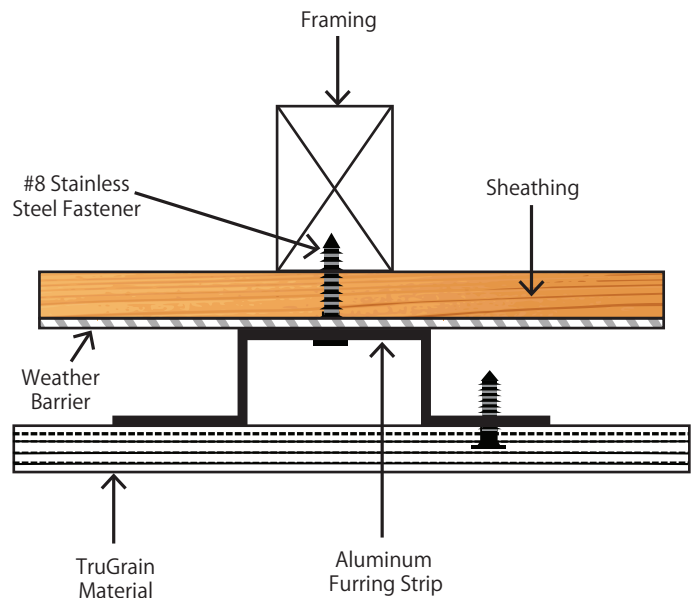


Trim Purpose

Flannery's Aluminum Furring Strips are designed to hold composite siding away from the substrate in order to allow for the movement of air behind the siding itself. Since our furring strips are manufactured with aluminum, they will never rot or rust out from behind the siding system. Aluminum Furring Strips have been tested with the TruGrain made with Resysta Siding and has passed the Miami-Dade County requirements for TAS #202 & TAS #203.

Please Note: Flannery's Aluminum Furring Strips may not accommodate or support all wall systems. Contact Flannery for possible use of strips in alternate wall systems. Siding manufacturer should be consulted whenever Flannery's Aluminum Furring Strips are proposed.

Part No. FUR 75-150



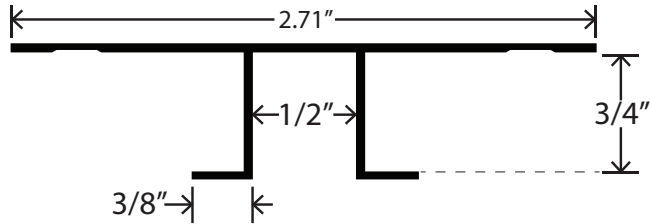
TRUGRAIN SIDING TRIM

Manufacturer's Specifications

Flannery's Siding Trims are standard extruded aluminum alloy 6063 T5 and have a .050" nominal wall thickness. Aluminum Siding Trims come in 10' lengths and shall have a standard Mill Finish (for field priming & painting). Clear Anodized, Chem-film finish or other factory finishes and custom paint orders are available.

WOOD PANEL REVEAL

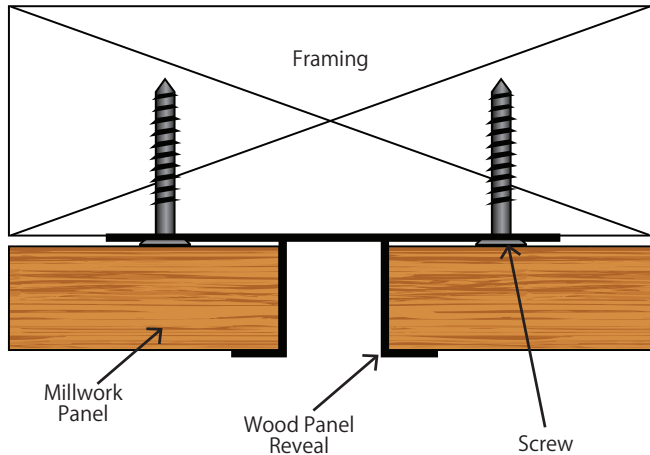
Product Detail



Trim Purpose

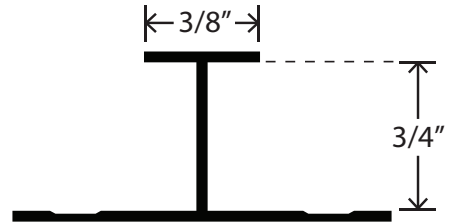
Flannery's Wood Panel Reveal is a trim for millwork panels that creates an aesthetic reveal between two millwork panels. The Wood Panel Reveal comes with a 3/8" face flange, which allows the installer to slide the wood paneling in behind the flange and cover the unfinished edge of the panel.

Part No. WPR 75-375-50



WOOD PANEL H-MOLD

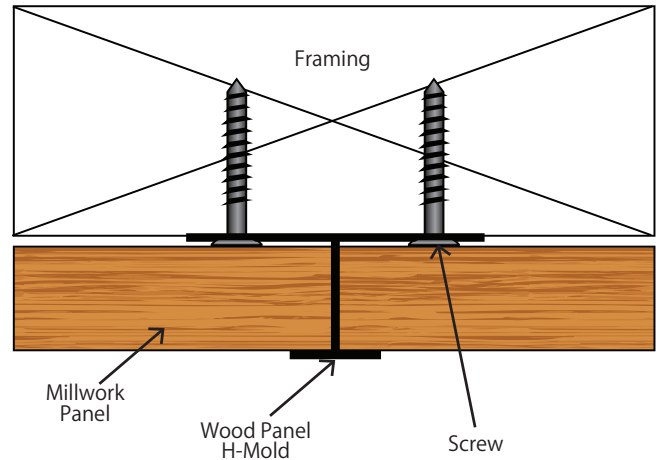
Product Detail



Trim Purpose

Flannery's Wood Panel H-Mold is a trim for millwork panels that creates a "flat-face" reveal over two adjoining wood panels. The Wood Panel H-Mold comes with a 3/8" face flange, which allows the installer to slide the wood paneling in behind the flange and cover the unfinished edge of the panel.

Part No. WPH 75-375

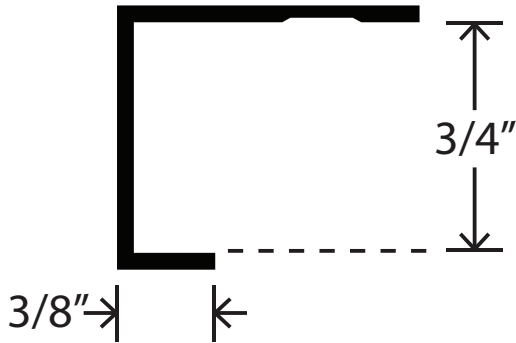


Manufacturer's Specifications

Flannery's Wood Panel Trims are standard extruded aluminum alloy 6063 T5 and have a .050" nominal wall thickness. Aluminum panel trims come in 10' lengths and shall have a standard Clear Anodized Finish. Mill Finish (for field priming & painting), Chem-film finish or other factory finishes and custom paint orders are available. See page 60 for Factory Finishes. Wood Panel Trims must be attached to the framing with nails, screws or other approved fastening methods.

WOOD PANEL J-MOLD

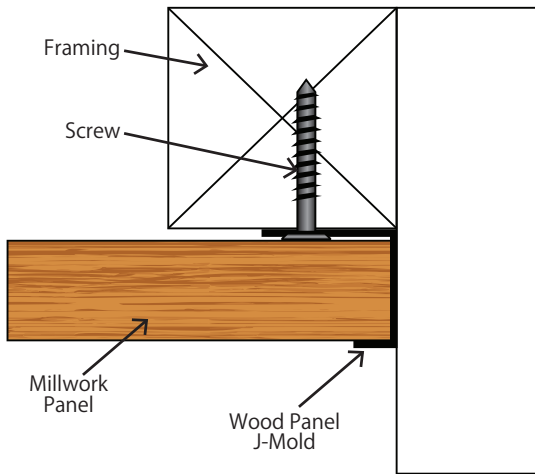
Product Detail



Trim Purpose

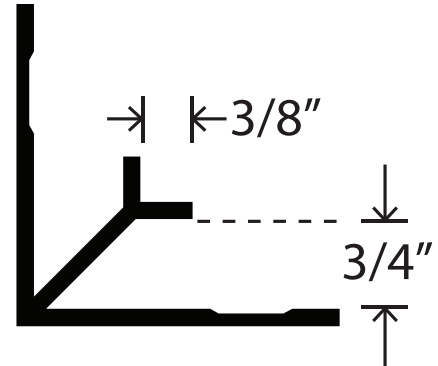
Flannery's Wood Panel J-Mold is a termination trim for millwork panels that terminate against a dissimilar wall or material. The Wood Panel J-Mold comes with a 3/8" face flange, which allows the installer to slide the wood paneling in behind the flange and cover the unfinished edge of the panel.

Part No. WPJ 75-375



WOOD PANEL INSIDE CORNER

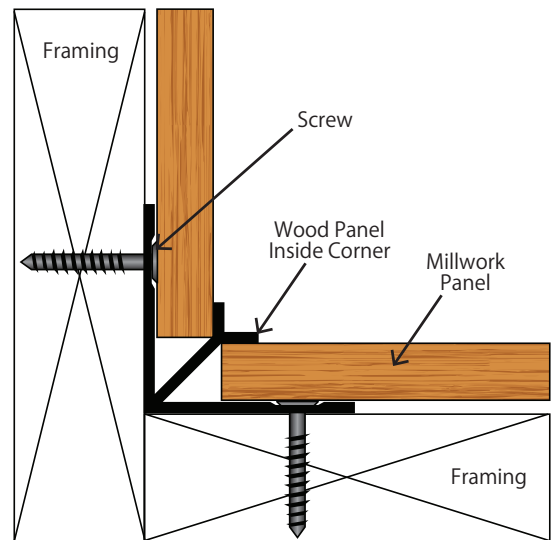
Product Detail



Trim Purpose

Flannery's Wood Panel Inside Corner is an inside corner trim for millwork panels that meet at a 90° inside corner. The Wood Panel Inside Corner comes with a 3/8" face flange, which allows the installer to slide the wood paneling in behind the flange and cover the unfinished edge of the panel.

Part No. WPIC 75-375



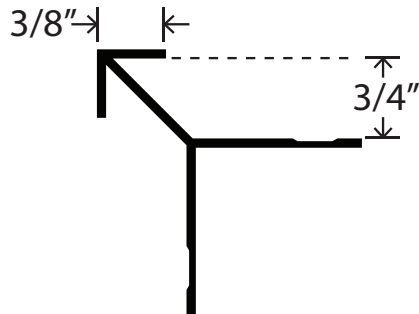
WOOD PANEL TRIMS

Manufacturer's Specifications

Flannery's Wood Panel Trims are standard extruded aluminum alloy 6063 T5 and have a .050" nominal wall thickness. Aluminum panel trims come in 10' lengths and shall have a standard Clear Anodized Finish. Mill Finish (for field priming & painting), Chem-film finish or other factory finishes and custom paint orders are available. See page 60 for Factory Finishes. Wood Panel Trims must be attached to the framing with nails, screws or other approved fastening methods.

WOOD PANEL OUTSIDE CORNER

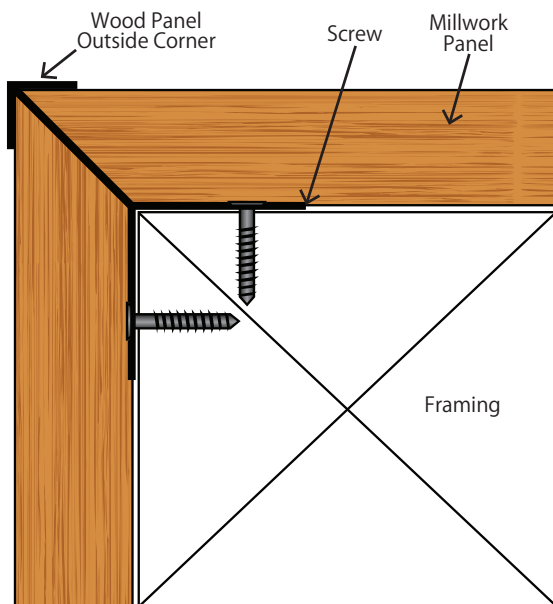
Product Detail



Trim Purpose

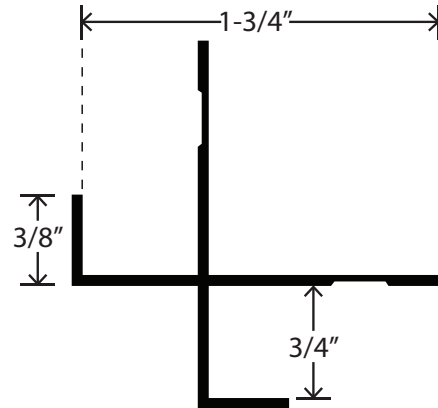
Flannery's Wood Panel Outside Corner is an outside corner trim for millwork panels that meet at a 90° outside corner. The Wood Panel Outside Corner creates a sharp corner edge to the outside corner joint. The Wood Panel Outside Corner comes with a 3/8" face flange, which allows the installer to slide the wood paneling in behind the flange and cover the unfinished edge of the panel.

Part No. WPOC 75-375



WOOD PANEL X-MOLD

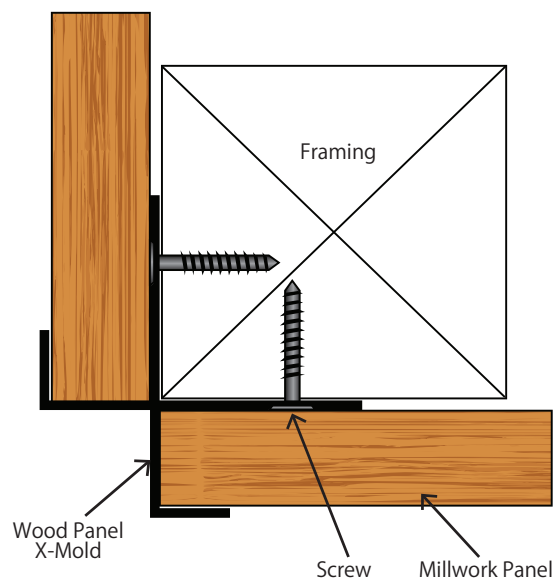
Product Detail



Trim Purpose

Flannery's Wood Panel X-Mold is an outside corner trim for millwork panels that meet at a 90° outside corner. The Wood Panel X-Mold creates a reveal where the edges of two millwork panels meet at an outside corner joint. The Wood Panel X-Mold comes with a 3/8" face flange, which allows the installer to slide the wood paneling in behind the flange and cover the unfinished edge of the panel.

Part No. WPX 75-375



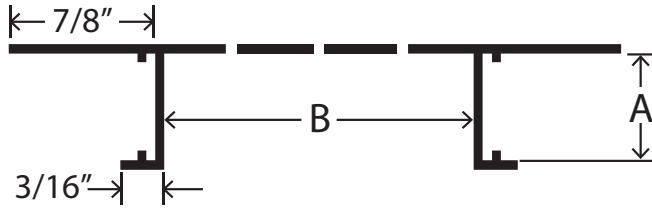
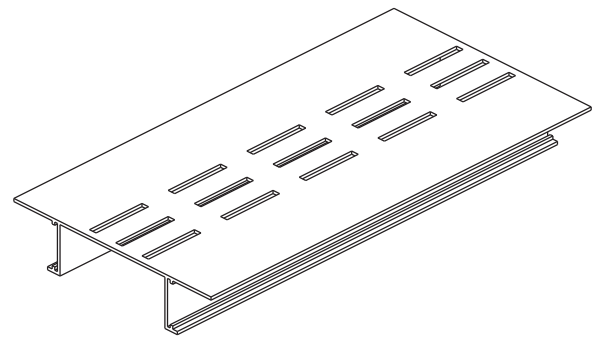
Manufacturer's Specifications

Flannery's Wood Panel Trims are standard extruded aluminum alloy 6063 T5 and have a .050" nominal wall thickness. Aluminum panel trims come in 10' lengths and shall have a standard Clear Anodized Finish. Mill Finish (for field priming & painting), Chem-film finish or other factory finishes and custom paint orders are available. See page 60 for Factory Finishes. Wood Panel Trims must be attached to the framing with nails, screws or other approved fastening methods.

WOOD PANEL TRIMS

CHANNEL SCREED VENT

Product Detail



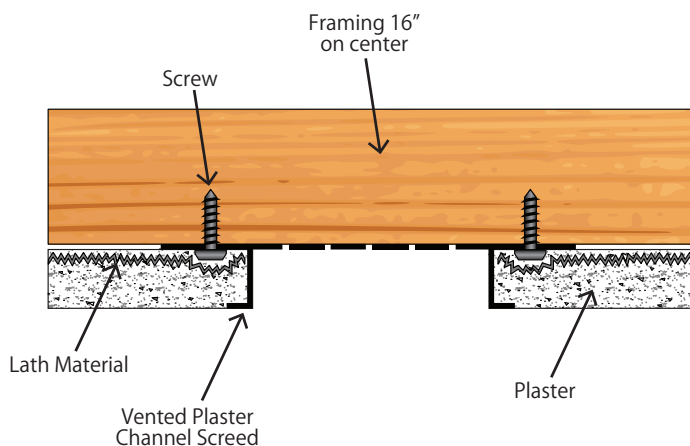
Trim Purpose

Flannery's Channel Screed Vents create an aesthetic ventilation strip in a soffit area. Flannery's Channel Screed Vents come in a number of depths for different soffit material thicknesses as well as a number of reveal widths for just the right amount of ventilation. Select sizes of Flannery's Channel Screed Vents are available with Aluminum Alignment Splices to ease the installation process and create crisp clean butt joints.

Manufacturer's Specifications

Flannery's Channel Screed Vents are standard extruded aluminum alloy 6063 T5 and have a .050" nominal wall thickness. Aluminum Vents come in 10' lengths and shall have a standard Clear Anodized Finish. Mill Finish (for field priming & painting), Chem-film finish or other factory finishes and custom paint orders are available. See page 60 for Factory Finishes. Attach Channel Screed Vents to the framing with nails, screws, or other approved fastening methods. All Vent Slots are 1/8" wide, 1" long and are configured at 1 1/2" on center lengthwise and 1/2" on center laterally. Flannery's Channel Screed Vents are also available with bug screen upon request.

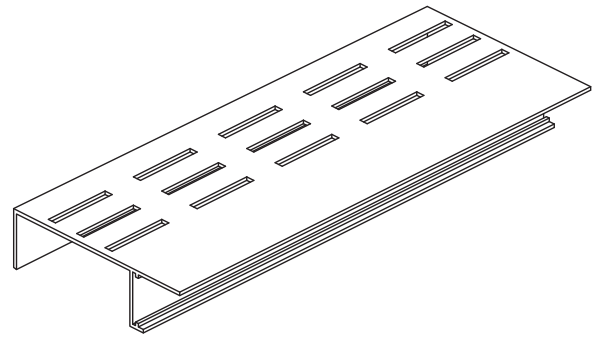
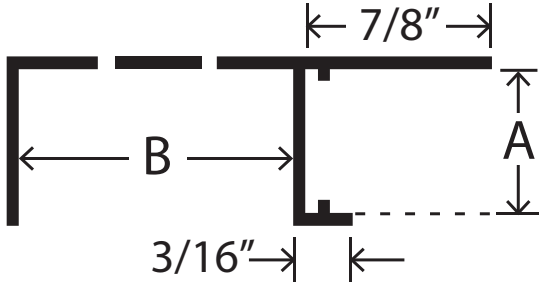
Part No.	"A" Depth	"B" Width	Vent slots per row	Vent area per foot	Alignment Splices
PCS 375-V-50	3/8"	1/2"	1	1" sq.	N/A
PCS 375-V-75	3/8"	3/4"	1	1" sq.	N/A
PCS 375-V-100	3/8"	1"	1	1" sq.	N/A
PCS 375-V-150	3/8"	1 1/2"	2	2" sq.	N/A
PCS 50-V-50	1/2"	1/2"	1	1" sq.	N/A
PCS 50-V-75	1/2"	3/4"	1	1" sq.	N/A
PCS 50-V-100	1/2"	1"	1	1" sq.	N/A
PCS 50-V-150	1/2"	1 1/2"	2	2" sq.	N/A
PCS 50-V-200	1/2"	2"	3	3" sq.	N/A
PCS 50-V-250	1/2"	2 1/2"	3	3" sq.	N/A
PCS 50-V-300	1/2"	3"	5	5" sq.	N/A
PCS 50-V-400	1/2"	4"	7	7" sq.	N/A
PCS 50-V-600	1/2"	6"	9	9" sq.	N/A
PCS 625-V-50	5/8"	1/2"	1	1" sq.	N/A
PCS 625-V-75	5/8"	3/4"	1	1" sq.	N/A
PCS 625-V-100	5/8"	1"	1	1" sq.	N/A
PCS 625-V-150	5/8"	1 1/2"	2	2" sq.	N/A
PCS 625-V-200	5/8"	2"	3	3" sq.	N/A
PCS 625-V-300	5/8"	3"	5	5" sq.	N/A
PCS 625-V-400	5/8"	4"	7	7" sq.	N/A
PCS 75-V-50	3/4"	1/2"	1	1" sq.	Yes
PCS 75-V-75	3/4"	3/4"	1	1" sq.	Yes
PCS 75-V-100	3/4"	1"	1	1" sq.	Yes
PCS 75-V-150	3/4"	1 1/2"	2	2" sq.	Yes
PCS 75-V-200	3/4"	2"	3	3" sq.	Yes
PCS 75-V-250	3/4"	2 1/2"	3	3" sq.	Yes
PCS 75-V-300	3/4"	3"	5	5" sq.	Yes
PCS 75-V-400	3/4"	4"	7	7" sq.	N/A
PCS 75-V-600	3/4"	6"	9	9" sq.	N/A



CONTINUOUS VENTILATION

PLASTER F-MOLD VENT

Product Detail



Trim Purpose

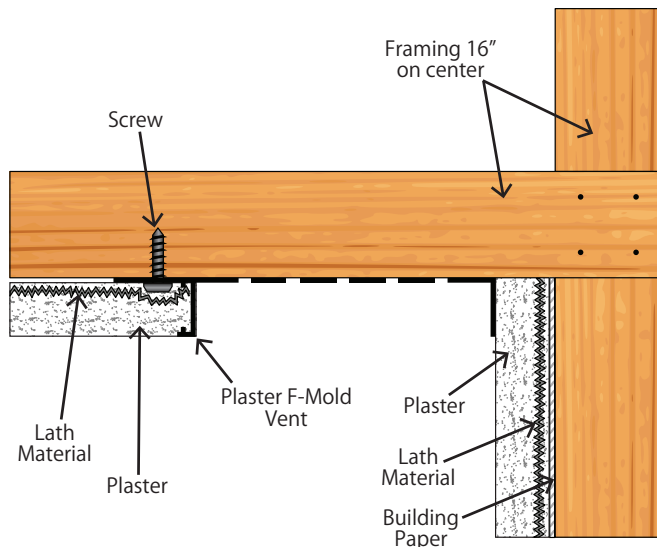
Flannery's Plaster F-Mold Vent creates a ventilation strip where a plaster soffit meets a dissimilar material or wall. Select sizes of Flannery's Plaster F-Mold Vents are available with Aluminum Alignment Splices to ease the installation process and create crisp clean butt joints.

Manufacturer's Specifications

Flannery's Plaster F-Mold Vents are standard extruded aluminum alloy 6063 T5 and have a .050" nominal wall thickness. Aluminum Vents come in 10' lengths and shall have a standard Clear Anodized Finish. Mill Finish (for field priming & painting), Chem-film finish or other factory finishes and custom paint orders are available. See page 60 for Factory Finishes. Attach Plaster F-Mold Vents to the framing with nails, screws, or other approved fastening methods. All Vent Slots are 1/8" wide, 1" long and are configured at 1 1/2" on center lengthwise and 1/2" on center laterally. Flannery's Plaster F-Mold Vents are also available with bug screen upon request.

Part No.	"A" Depth	"B" Width	Vent slots per row	Vent area per foot	Alignment Splices
FPM 50-V-50*	1/2"	1/2"	1	1" sq.	N/A
FPM 50-V-75	1/2"	3/4"	1	1" sq.	N/A
FPM 50-V-100*	1/2"	1"	1	1" sq.	N/A
FPM 50-V-150*	1/2"	1 1/2"	2	2" sq.	N/A
FPM 50-V-200	1/2"	2"	3	3" sq.	N/A
FPM 50-V-250*	1/2"	2 1/2"	3	3" sq.	N/A
FPM 50-V-300*	1/2"	3"	5	5" sq.	N/A
FPM 50-V-400*	1/2"	4"	7	7" sq.	N/A
FPM 50-V-600*	1/2"	6"	9	9" sq.	N/A
FPM 625-V-50	5/8"	1/2"	1	1" sq.	N/A
FPM 625-V-75	5/8"	3/4"	1	1" sq.	N/A
FPM 625-V-100*	5/8"	1"	1	1" sq.	N/A
FPM 625-V-150*	5/8"	1 1/2"	2	2" sq.	N/A
FPM 625-V-200	5/8"	2"	3	3" sq.	N/A
FPM 625-V-300*	5/8"	3"	5	5" sq.	N/A
FPM 625-V-400*	5/8"	4"	7	7" sq.	N/A
FPM 75-V-50	3/4"	1/2"	1	1" sq.	Yes
FPM 75-V-75	3/4"	3/4"	1	1" sq.	Yes
FPM 75-V-100	3/4"	1"	1	1" sq.	Yes
FPM 75-V-150	3/4"	1 1/2"	2	2" sq.	Yes
FPM 75-V-200	3/4"	2"	3	3" sq.	Yes
FPM 75-V-250*	3/4"	2 1/2"	3	3" sq.	Yes
FPM 75-V-300	3/4"	3"	5	5" sq.	Yes
FPM 75-V-400	3/4"	4"	7	7" sq.	Yes
FPM 75-V-600*	3/4"	6"	9	9" sq.	N/A

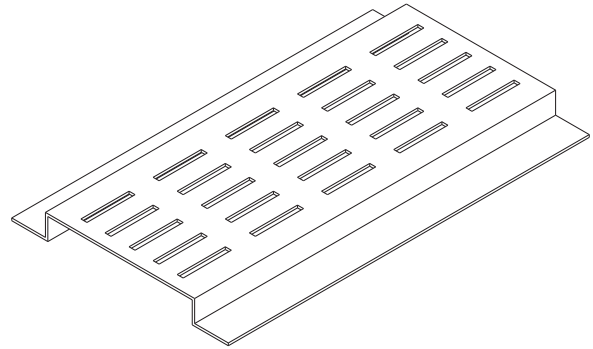
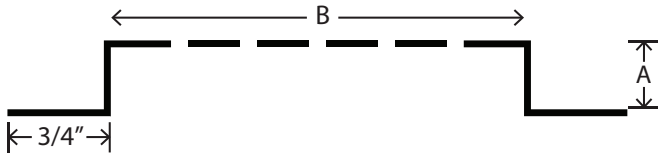
*Indicates Modified Part



CONTINUOUS VENTILATION

SMOOTH FINISH E.I.F.S. VENT

Product Detail



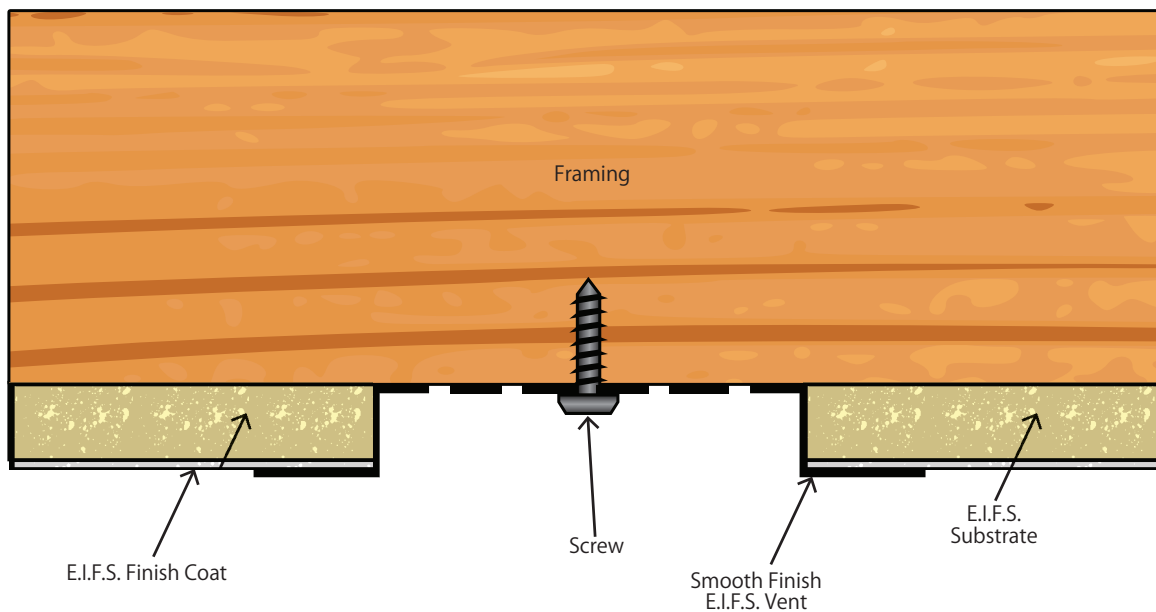
Trim Purpose

Flannery's Smooth Finish EIFS Vents are ventilated trims that can be inserted into an exterior insulation and finishing system (EIFS) soffit. Smooth Finish EIFS Vents are installed after the EIFS substrate and final finish coat have been applied to the system. This eases the installation process and reduces the amount of labor required to install a typical soffit vent.

Manufacturer's Specifications

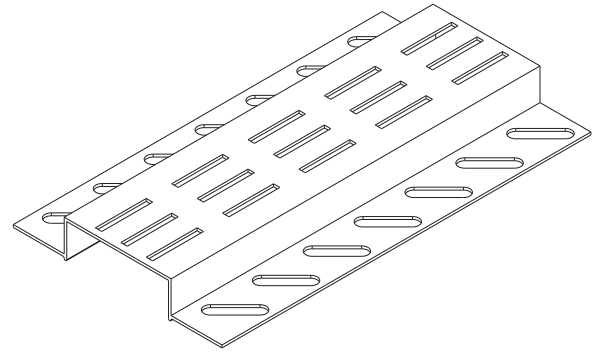
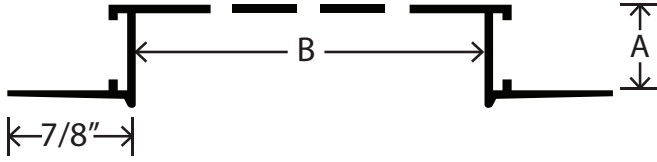
Flannery's Smooth Finish EIFS Vents are standard extruded aluminum alloy 6063 T5 and have a .050" nominal wall thickness. Aluminum Vents come in 10' lengths and shall have a standard Clear Anodized Finish. Mill Finish (for field priming & painting) and Chem-film finishes, as well as other factory finishes and custom paint orders are available. See page 60 for Factory Finishes. Attach Smooth Finish EIFS Vents to the framing with a fastener, every 16" or 24" through the center vent slot. All Vent Slots are 1/8" wide, 1" long and are configured at 1 1/2" on center lengthwise and 1/2" on center laterally. Flannery's Smooth Finish EIFS Vents are also available with bug screen upon request.

Part No.	"A" Depth	"B" Width	Vent slots per row	Vent area per foot
SFEV 50-V-200	1/2"	2"	3	3" sq.
SFEV 50-V-300	1/2"	3"	5	5" sq.
SFEV 50-V-400	1/2"	4"	7	7" sq.



DIRECT APPLICATION E.I.F.S. VENT

Product Detail



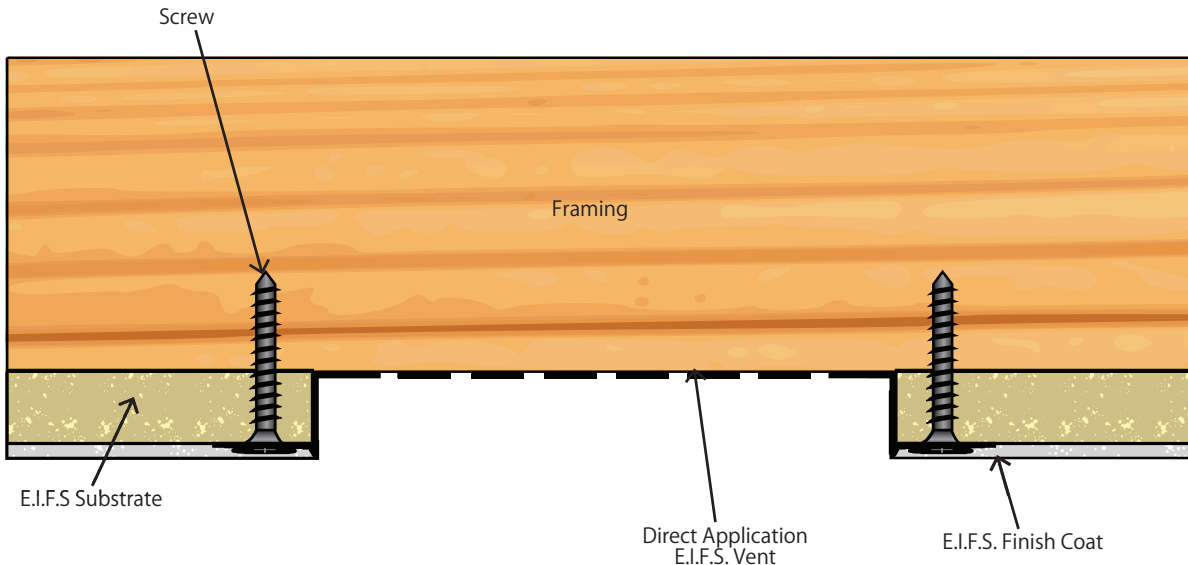
Trim Purpose

Flannery's Direct Application EIFS Vents are ventilated trims that can be inserted into an exterior insulation and finishing system (EIFS) soffit. With their beveled and thinning attachment flanges, Direct Application Vents can be installed over the EIFS substrate before the final finish is applied. Flannery offers Direct Application Vents in a number of depths for different soffit material thicknesses as well as a number of reveal widths for just the right amount of ventilation. Most sizes of Flannery's Direct Application Vents are available with Aluminum Alignment Splices to ease the installation process and create crisp clean butt joints.

Manufacturer's Specifications

Flannery's Direct Application EIFS Vents are standard extruded aluminum alloy 6063 T5 and have a .050" nominal wall thickness. Aluminum Vents come in 10' lengths and shall have a standard Mill Finish (for field priming & painting). Clear Anodized and Chem-film finishes, as well as other factory finishes and custom paint orders are available. See page 60 for Factory Finishes. Attach Direct Application Vents through the EIFS substrate to the framing with nails, screws, or other approved fastening methods. All Vent Slots are 1/8" wide, 1" long and are configured at 1 1/2" on center lengthwise and 1/2" on center laterally. Flannery's Direct Application Vents are also available with bug screen upon request.

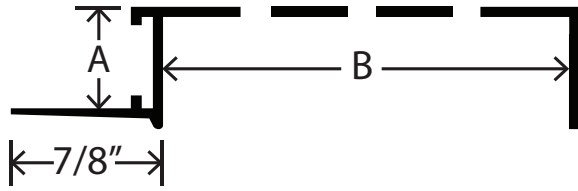
Part No.	"A" Depth	"B" Width	Vent slots per row	Vent area per foot	Alignment Splices
DWR 50-V-50	1/2"	1/2"	1	1" sq.	Yes
DWR 50-V-75	1/2"	3/4"	1	1" sq.	Yes
DWR 50-V-100	1/2"	1"	1	1" sq.	Yes
DWR 50-V-150	1/2"	1 1/2"	2	2" sq.	Yes
DWR 50-V-200	1/2"	2"	3	3" sq.	Yes
DWR 50-V-300	1/2"	3"	5	5" sq.	N/A
DWR 50-V-600	1/2"	6"	9	9" sq.	N/A
DWR 625-V-50	5/8"	1/2"	1	1" sq.	Yes
DWR 625-V-625	5/8"	5/8"	1	1" sq.	Yes
DWR 625-V-75	5/8"	3/4"	1	1" sq.	Yes
DWR 625-V-100	5/8"	1"	1	1" sq.	Yes
DWR 625-V-150	5/8"	1 1/2"	2	2" sq.	Yes
DWR 625-V-200	5/8"	2"	3	3" sq.	Yes
DWR 625-V-300	5/8"	3"	5	5" sq.	Yes
DWR 625-V-400	5/8"	4"	7	7" sq.	Yes



CONTINUOUS VENTILATION

DIRECT APPLICATION F-MOLD VENT

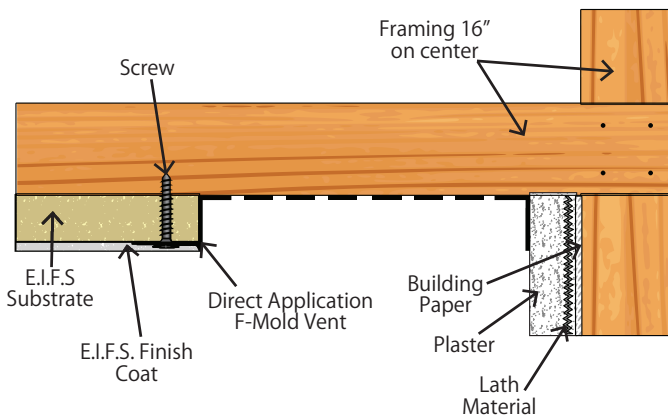
Product Detail



Trim Purpose

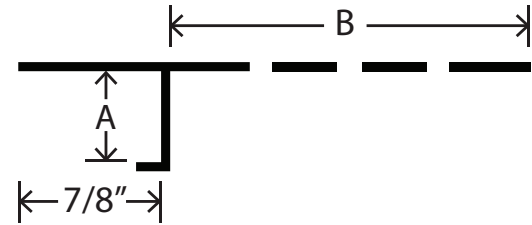
Flannery's Direct Application F-Mold Vents are ventilated trims that can be inserted into an exterior insulation and finishing system (EIFS) soffit where the system requires a vent along a dissimilar wall or material.

Part No.	"A" Depth	"B" Width	Vent slots per row	Vent area per foot	Alignment Splices
DWRF 50-V-50	1/2"	1/2"	1	1" sq.	Yes
DWRF 50-V-75	1/2"	3/4"	1	1" sq.	Yes
DWRF 50-V-100	1/2"	1"	1	1" sq.	Yes
DWRF 50-V-150	1/2"	1 1/2"	2	2" sq.	Yes
DWRF 50-V-200	1/2"	2"	3	3" sq.	Yes
DWRF 50-V-300	1/2"	3"	5	5" sq.	N/A
DWRF 50-V-600	1/2"	6"	9	9" sq.	N/A
DWRF 625-V-50	5/8"	1/2"	1	1" sq.	Yes
DWRF 625-V-625	5/8"	5/8"	1	1" sq.	Yes
DWRF 625-V-75	5/8"	3/4"	1	1" sq.	Yes
DWRF 625-V-100	5/8"	1"	1	1" sq.	Yes
DWRF 625-V-150	5/8"	1 1/2"	2	2" sq.	Yes
DWRF 625-V-200	5/8"	2"	3	3" sq.	Yes
DWRF 625-V-300	5/8"	3"	5	5" sq.	Yes
DWRF 625-V-400	5/8"	4"	7	7" sq.	Yes



PLASTER T-MOLD VENT

Product Detail

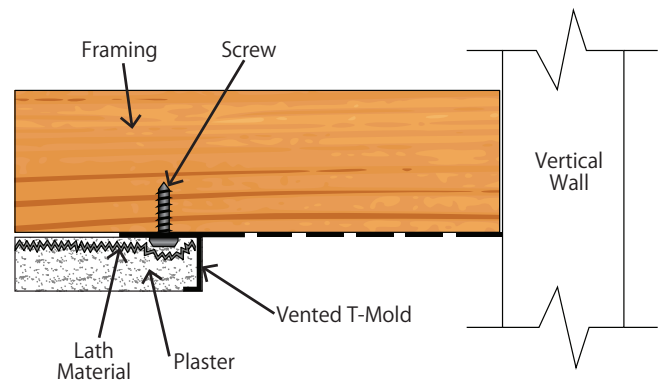


Trim Purpose

Flannery's Plaster T-Mold Vent creates a ventilation strip where a plaster soffit meets a dissimilar material or wall. Flannery's Plaster T-Mold Vents come in a number of depths for different soffit material thicknesses as well as a number of reveal widths for just the right amount of ventilation.

Part No.	"A" Depth	"B" Width	Vent slots per row	Vent area per foot
TPM 50-V-75	1/2"	3/4"	1	1" sq.
TPM 50-V-100	1/2"	1"	1	1" sq.
TPM 625-V-50	5/8"	1/2"	1	1" sq.
TPM 625-V-75	5/8"	3/4"	1	1" sq.
TPM 625-V-100	5/8"	1"	1	1" sq.
TPM 75-V-50	3/4"	1/2"	1	1" sq.
TPM 75-V-75	3/4"	3/4"	1	1" sq.
TPM 75-V-100	3/4"	1"	1	1" sq.
TPM 75-V-150	3/4"	1 1/2"	2	2" sq.
TPM 75-V-200	3/4"	2"	3	3" sq.
TPM 75-V-300	3/4"	3"	5	5" sq.
TPM 75-V-400	3/4"	4"	7	7" sq.

*Custom sizes available.



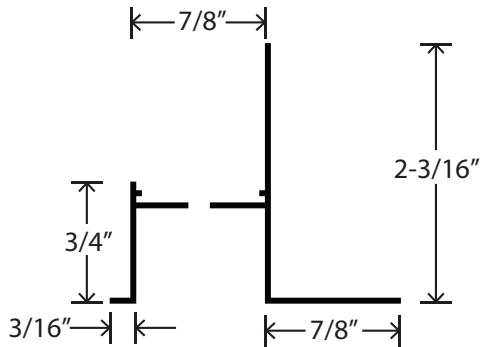
Manufacturer's Specifications

Flannery's Aluminum Soffit Vents are standard extruded aluminum alloy 6063 T5 and have a .050" nominal wall thickness. Aluminum Vents come in 10' lengths and are available with a Mill Finish (for field priming & painting) or Clear Anodized Finish. Chem-film finish or other factory finishes and custom paint orders are also available. See page 60 for Factory Finishes. Attach vents to the framing with nails, screws, or other approved fastening methods. All Vent Slots are 1/8" wide, 1" long and are configured at 1 1/2" on center lengthwise and 1/2" on center laterally. Flannery's Aluminum Soffit Vents are also available with bug screen upon request.

CONTINUOUS VENTILATION

DRIP SCREED VENT

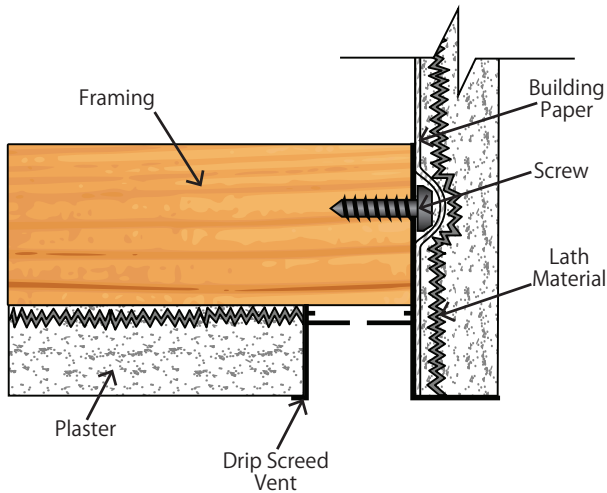
Product Detail



Trim Purpose

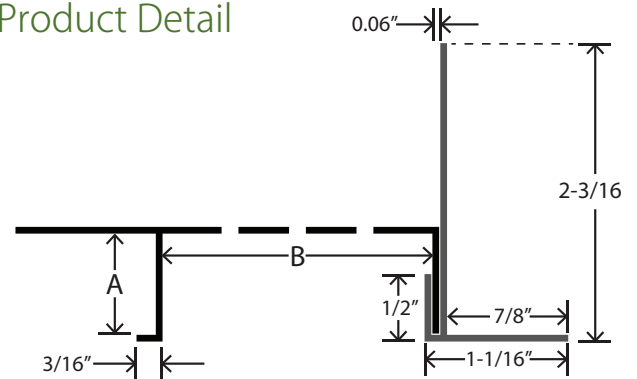
Flannery's Drip Screed Vent is a ventilation strip that also creates a drip edge for moisture to "drip" off of stucco fascia edges thus preventing it from running back across a soffit. Drip Screed Vents should not be installed where a framing member runs parallel to the vent strip since it may prevent the proper movement of air.

Part No. DS 875-V-875



2-PIECE DRIP SCREED VENT

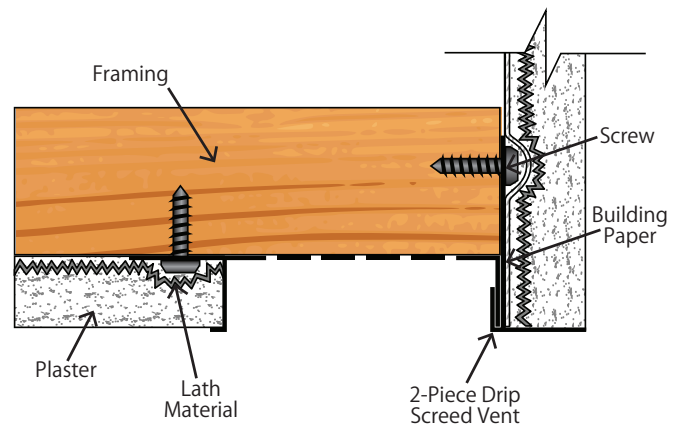
Product Detail



Trim Purpose

Flannery's 2-Piece Drip Screed Vents act as a ventilation strip that also create a drip edge for moisture to "drip" off of stucco fascia edges thus preventing it from running back across a soffit. 2-Piece Drip Screed Vents should not be installed where a framing member runs parallel to the vent strip since it may prevent the proper movement of air. Select sizes of Flannery's 2-Piece Drip Screed Vents are available with Aluminum Alignment Splices to ease the installation process and create crisp clean butt joints.

Part No.	"A" Depth	"B" Width	Vent slots per row	Vent area per foot
DS 50-V-75-2pc	1/2"	3/4"	1	1" sq.
DS 625-V-50-2pc	5/8"	1/2"	1	1" sq.
DS 625-V-75-2pc	5/8"	3/4"	1	1" sq.
DS 75-V-50-2pc	3/4"	1/2"	1	1" sq.
DS 75-V-75-2pc	3/4"	3/4"	1	1" sq.
DS 75-V-100-2pc	3/4"	1"	1	1" sq.
DS 75-V-150-2pc	3/4"	1 1/2"	2	2" sq.
DS 75-V-200-2pc	3/4"	2"	3	3" sq.
DS 75-V-300-2pc	3/4"	3"	5	5" sq.
DS 75-V-400-2pc	3/4"	4"	7	7" sq.



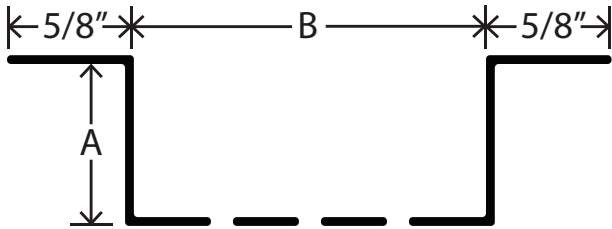
Manufacturer's Specifications

Flannery's Drip Screed Vents are standard extruded aluminum alloy 6063 T5 and have a .050" nominal wall thickness. Aluminum Vents come in 10' lengths and shall have a standard Clear Anodized Finish. Mill Finish (for field priming & painting), Chem-film finish or other factory finishes and custom paint orders are available. See page 60 for Factory Finishes. Attach Drip Screed Vents to the framing with nails, screws, or other approved fastening methods. Building paper or the weather resistant barrier (WRB) must be installed over the vertical attachment flange of the Drip Screed Vent. All Vent Slots are 1/8" wide, 1" long and are configured at 1/2" on center lengthwise and 1/2" on center laterally. Flannery's Drip Screed Vents are also available with bug screen upon request.

CONTINUOUS VENTILATION

HAT CHANNEL VENT

Product Detail



Trim Purpose

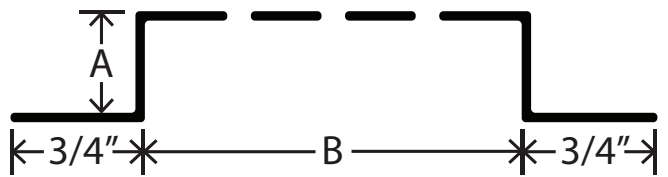
Flannery's Hat Channel Vents create a ventilation strip that is flush with a desired soffit material. Hat Channel Vents are typically fastened to the framing prior to soffit material being installed. The Hat Channel Vent is a formed metal product that is available in Aluminum, Copper, Stainless and Galvanized Steel.

Part No.	"A" Depth	"B" Width	Vent slots per row	Vent area per foot	Available Metals
HCV 50-V-15-XX	1/2"	1 1/2"	2	2" sq.	All
HCV 50-V-20-XX	1/2"	2"	3	3" sq.	All
HCV 50-V-30-XX	1/2"	3"	5	5" sq.	All
HCV 50-V-40-XX	1/2"	4"	7	7" sq.	All
HCV 62-V-15-XX	5/8"	1 1/2"	2	2" sq.	All
HCV 62-V-20-XX	5/8"	2"	3	3" sq.	All
HCV 62-V-30-XX	5/8"	3"	5	5" sq.	All
HCV 62-V-40-XX	5/8"	4"	7	7" sq.	All
HCV 75-V-15-XX	3/4"	1 1/2"	2	2" sq.	All
HCV 75-V-20-XX	3/4"	2"	3	3" sq.	All
HCV 75-V-30-XX	3/4"	3"	5	5" sq.	All
HCV 75-V-40-XX	3/4"	4"	7	7" sq.	All
HCV 87-V-15-XX	7/8"	1 1/2"	2	2" sq.	All
HCV 87-V-20-XX	7/8"	2"	3	3" sq.	All
HCV 87-V-30-XX	7/8"	3"	5	5" sq.	All
HCV 10-V-15-XX	1"	1 1/2"	2	2" sq.	All
HCV 10-V-20-XX	1"	2"	3	3" sq.	All

*Custom sizes available.

PLAIN EDGE VENT

Product Detail



Trim Purpose

Flannery's Plain Edge Vents are a recessed ventilation strip that can be incorporated into a number of soffit systems. Plain Edge Vents are typically installed after the soffit material is in place which eases the installation process. The Plain Edge Vent is a formed metal product that is available in Aluminum, Copper, Stainless and Galvanized Steel.

Part No.	"A" Depth	"B" Width	Vent slots per row	Vent area per foot	Available Metals
PEV 50-V-15-XX	1/2"	1 1/2"	2	2" sq.	All
PEV 50-V-20-XX	1/2"	2"	3	3" sq.	All
PEV 50-V-30-XX	1/2"	3"	5	5" sq.	All
PEV 50-V-40-XX	1/2"	4"	7	7" sq.	All
PEV 62-V-15-XX	5/8"	1 1/2"	2	2" sq.	All
PEV 62-V-20-XX	5/8"	2"	3	3" sq.	All
PEV 62-V-30-XX	5/8"	3"	5	5" sq.	All
PEV 62-V-40-XX	5/8"	4"	7	7" sq.	All
PEV 75-V-15-XX	3/4"	1 1/2"	2	2" sq.	All
PEV 75-V-20-XX	3/4"	2"	3	3" sq.	All
PEV 75-V-30-XX	3/4"	3"	5	5" sq.	All
PEV 75-V-40-XX	3/4"	4"	7	7" sq.	All
PEV 87-V-15-XX	7/8"	1 1/2"	2	2" sq.	All
PEV 87-V-20-XX	7/8"	2"	3	3" sq.	All
PEV 87-V-30-XX	7/8"	3"	5	5" sq.	All
PEV 10-V-15-XX	1"	1 1/2"	2	2" sq.	All
PEV 10-V-20-XX	1"	2"	3	3" sq.	All

*Custom sizes available.

Manufacturer's Specifications

Flannery's Brake Formed Vents are available in a number of metals and finishes. They can be specified in the following metals: .040" Thick Clear Anodized Aluminum; .040" Thick Mill Finish Aluminum; 26 ga. Copper; 26 ga. Stainless Steel T-304 #2 "Mill Finish"; 26 ga. Stainless Steel T-304 #4 "Brushed" Finish; and 26 ga. Galvanized Steel. Brake Formed products can be ordered in custom sizes and paint finishes. Brake formed products should be installed per the specifying architect or engineers' instructions. All Vent Slots are 1/8" wide, 1" long and are configured at 1/2" on center lengthwise and 1/2" on center laterally. Flannery's Brake Formed Vents are also available with bug screen upon request.

Please designate the desired metal with the designations below in place of the "XX" above.

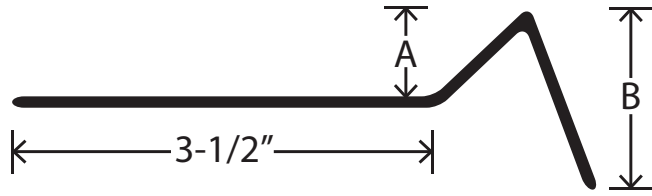
Example 1. HCV 50-V-15-CA will be Clear Anodized Aluminum

Example 2. PEV 75-V-30-GS will be Galvanized Steel

CA - Clear Anodized Aluminum	GS - Galvanized Steel
AL - Mill Finish Aluminum	SS - Mill Finish Stainless Steel
CU - Copper	BS - Brushed Stainless Steel

UNIVERSAL WEEP SCREED

Product Detail



Trim Purpose

Flannery's Universal Weep Screed (Patent #5,630,297) serves as a typical weep screed with a unique benefit. The benefit to the Universal Weep Screed is the longer return flange on the bottom of the screed, which allows for a tight fit against concrete foundations. Standard weep screeds have a shorter return leg, which can be an issue when installed over steel or wood framed buildings that utilize wood sheathing. Typically, framing members are set at the edge of the foundation and the shear panels are fastened to the framing. This then creates a gap between a typical weep screed and the concrete foundation. By lengthening the lower return leg, the Universal Weep Screed rests firmly against the concrete foundation eliminating the possible gap. Flannery's Universal Weep Screed (Patent #5,630,297) is a formed metal product, which is available in Aluminum, Copper, Stainless and Galvanized Steel.

Part No.	"A" Depth	"B" Depth	Available Metals
UWS 50-10-XX	1/2"	1"	All
UWS 50-12-XX	1/2"	1 1/4"	All
UWS 50-15-XX	1/2"	1 1/2"	All
UWS 75-12-XX	3/4"	1 1/4"	All
UWS 75-15-XX	3/4"	1 1/2"	All
UWS 75-17-XX	3/4"	1 3/4"	All
UWS 87-13-XX	7/8"	1 3/8"	All
UWS 87-16-XX	7/8"	1 5/8"	All
UWS 87-18-XX	7/8"	1 7/8"	All
UWS 10-15-XX	1"	1 1/2"	All
UWS 10-17-XX	1"	1 3/4"	All
UWS 10-20-XX	1"	2"	All

*Custom sizes available.

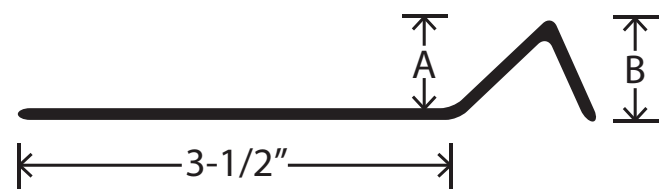
Manufacturer's Specifications

Flannery's Brake Formed products are available in a number of metals and finishes. Most can be specified in the following metals: .040" Thick Clear Anodized Aluminum; .040" Thick Mill Finish Aluminum; 26 ga. Copper; 26 ga. Stainless Steel T-304 #2 "Mill Finish"; 26 ga. Stainless Steel T-304 #4 "Brushed" Finish; and 26 ga. Galvanized Steel. Brake Formed products can be ordered in custom sizes and paint finishes.

Attach Weep Screeds to the framing with nails, screws, or other approved fastening methods. Attach the bottom edge of the Universal Weep Screed no less than 1" below the joint formed by the foundation and framing. The nose of the screed must be placed no less than 4 inches above raw earth or 2 inches above paved surfaces. The weather resistant barrier (two layers of building paper required if plywood sheathing is used) and lath must entirely cover the vertical attachment flange and terminate at the top edge of the nose or ground flange (per ASTM C 1063-03, Sec. 7.11.5).

STANDARD WEEP SCREED

Product Detail



Trim Purpose

Flannery's Standard Weep Screed (a.k.a. #7 Foundation Weep Screed) is a foundation weep screed with the benefit of a 3 1/2" code leg. It performs as a stucco stop typically installed at the base of a stucco wall system. Its main purpose is to alleviate moisture from behind the plaster cement layer of a stucco wall system. Flannery's Standard Weep Screed is a formed metal product and is available in Aluminum, Copper, Stainless and Galvanized Steel.

Part No.	"A" Depth	"B" Depth	Available Metals
SWS 50-50-XX	1/2"	1/2"	All
SWS 75-75-XX	3/4"	3/4"	All
SWS 87-87-XX	7/8"	7/8"	All
SWS 10-10-XX	1"	1"	All
SWS 13-13-XX	1 3/8"	1 3/8"	All
SWS 15-15-XX	1 1/2"	1 1/2"	All
SWS 20-20-XX	2"	2"	All

*Custom sizes available.

Please designate the desired metal with the designations below in place of the "XX" above.

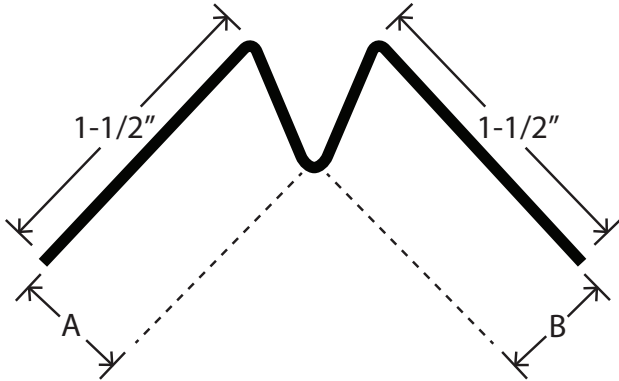
Example 1. UWS 87-13-CA will be Clear Anodized Aluminum

Example 2. SWS 75-75-GS will be Galvanized Steel

CA - Clear Anodized Aluminum	GS - Galvanized Steel
AL - Mill Finish Aluminum	SS - Mill Finish Stainless Steel
CU - Copper	BS - Brushed Stainless Steel

PLASTER INSIDE CORNER

Product Detail



Trim Purpose

Flannery's Plaster Inside Corner is used to assist in creating a crisp and clean plaster joint at an inside 90° corner. The Plaster Inside Corner is a formed metal product that is available in Aluminum, Copper, Stainless and Galvanized Steel.

Part No.	"A" Width	"B" Width	Available Metals
PIC 75-75-XX	3/4"	3/4"	All
PIC 87-87-XX	7/8"	7/8"	All
PIC 10-10-XX	1"	1"	All
PIC 15-15-XX	1 1/2"	1 1/2"	All
PIC 20-20-XX	2"	2"	All

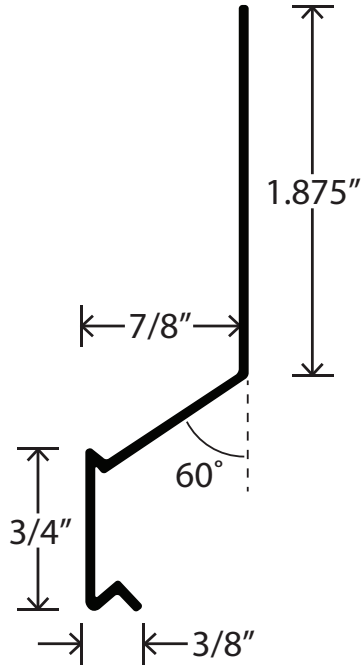
*Custom sizes available.

Manufacturer's Specifications

Flannery's Brake Formed products are available in a number of metals and finishes. Most can be specified in the following metals: .040" Thick Clear Anodized Aluminum; .040" Thick Mill Finish Aluminum; 26 ga. Copper; 26 ga. Stainless Steel T-304 #2 "Mill Finish"; 26 ga. Stainless Steel T-304 #4 "Brushed" Finish; and 26 ga. Galvanized Steel. Brake Formed products can be ordered in custom sizes and paint finishes. Brake formed products should be installed per the specifying architect or engineers' instructions.

#2 DRIP EDGE

Product Detail



Trim Purpose

Flannery's #2 Drip Edge is a fascia to soffit transition trim which allows moisture to "drip" off of a stucco fascia edge and thus preventing it from running back across the soffit. The #2 Drip Edge is a formed metal product that is available in Stainless or Galvanized Steel.

Part No.	Available Metals
#2DE-GS	Galvanized Steel
#2DE-SS	Stainless Steel Mill Finish
#2DE-BS	Brushed Stainless Steel

Please designate the desired metal with the designations below in place of the "XX" above.

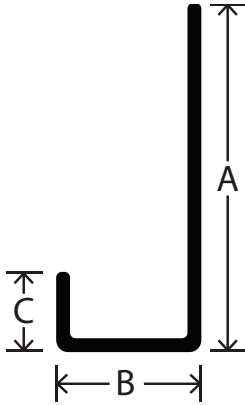
Example 1. PIC 75-75-CA will be Clear Anodized Aluminum

Example 2. #2DE-GS will be Galvanized Steel

CA - Clear Anodized Aluminum	GS - Galvanized Steel
AL - Mill Finish Aluminum	SS - Mill Finish Stainless Steel
CU - Copper	BS - Brushed Stainless Steel

BRAKE J-STOP

Product Detail



Trim Purpose

Flannery's Brake J-Stop is a termination trim that is used to terminate stucco, veneer plaster, drywall or wood panels. The Brake J-Stop is a formed metal product that is available in Aluminum, Copper, Stainless and Galvanized Steel.

Part No.	"A" Width	"B" Width	"C" Width	Available Metals
BJS 15-50-25-XX	1 1/2"	1/2"	1/4"	All
BJS 15-50-50-XX	1 1/2"	1/2"	1/2"	All
BJS 15-75-25-XX	1 1/2"	3/4"	1/4"	All
BJS 15-75-50-XX	1 1/2"	3/4"	1/2"	All
BJS 15-87-25-XX	1 1/2"	7/8"	1/4"	All
BJS 15-87-50-XX	1 1/2"	7/8"	1/2"	All
BJS 15-10-25-XX	1 1/2"	1"	1/4"	All
BJS 15-10-50-XX	1 1/2"	1"	1/2"	All
BJS 35-50-25-XX	3 1/2"	1/2"	1/4"	All
BJS 35-50-50-XX	3 1/2"	1/2"	1/2"	All
BJS 35-75-25-XX	3 1/2"	3/4"	1/4"	All
BJS 35-75-50-XX	3 1/2"	3/4"	1/2"	All
BJS 35-87-25-XX	3 1/2"	7/8"	1/4"	All
BJS 35-87-50-XX	3 1/2"	7/8"	1/2"	All
BJS 35-10-25-XX	3 1/2"	1"	1/4"	All
BJS 35-10-50-XX	3 1/2"	1"	1/2"	All
BJS 35-15-25-XX	3 1/2"	1 1/2"	1/4"	All
BJS 35-15-50-XX	3 1/2"	1 1/2"	1/2"	All

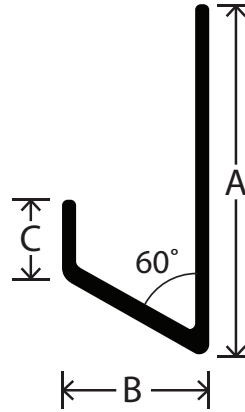
*Custom sizes available.

Manufacturer's Specifications

Flannery's Brake Formed products are available in a number of metals and finishes. Most can be specified in the following metals: .040" Thick Clear Anodized Aluminum; .040" Thick Mill Finish Aluminum; 26 ga. Copper; 26 ga. Stainless Steel T-304 #2 "Mill Finish"; 26 ga. Stainless Steel T-304 #4 "Brushed" Finish; and 26 ga. Galvanized Steel. Brake Formed products can be ordered in custom sizes and paint finishes. Brake formed products should be installed per the specifying architect or engineers' instructions.

BRAKE BEVELED J-STOP

Product Detail



Trim Purpose

Flannery's Brake Beveled J-Stop is a termination trim with a 60° angle that creates a "beveled" edge to a stucco, veneer plaster, or drywall system. The Brake Beveled J-Stop should only be used vertically and is typically installed at inside or outside corners. The Brake Beveled J-Stop is a formed metal product that is available in Aluminum, Copper, Stainless and Galvanized Steel.

Part No.	"A" Width	"B" Width	"C" Width	Available Metals
BBJ 15-75-25-XX	1 1/2"	3/4"	1/4"	All
BBJ 15-87-25-XX	1 1/2"	7/8"	1/4"	All
BBJ 15-10-25-XX	1 1/2"	1"	1/4"	All
BBJ 35-15-25-XX	3 1/2"	1 1/2"	1/4"	All
BBJ 35-20-25-XX	3 1/2"	2"	1/4"	All

*Custom sizes available.

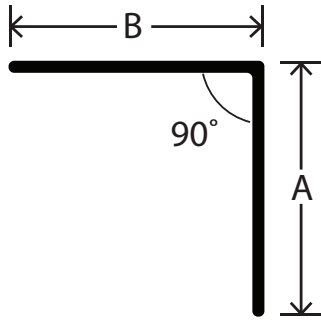
Please designate the desired metal with the designations below in place of the "XX" above.

- Example 1. BJS 15-50-25-CA will be Clear Anodized Aluminum
- Example 2. BBJ 15-75-25-CA will be Clear Anodized Aluminum

CA - Clear Anodized Aluminum	GS - Galvanized Steel
AL - Mill Finish Aluminum	SS - Mill Finish Stainless Steel
CU - Copper	BS - Brushed Stainless Steel

BRAKE ANGLE

Product Detail



Trim Purpose

Flannery's Brake Angle Trim is a 90° angle trim, which can be used as an inside or outside corner as well as a basic edge trim. The Brake Angle Trim is a formed metal product that is available in Aluminum, Copper, Stainless and Galvanized Steel.

Part No.	"A" Width	"B" Width	Available Metals
BAT 50-50-XX	1/2"	1/2"	All
BAT 50-75-XX	1/2"	3/4"	All
BAT 50-10-XX	1/2"	1"	All
BAT 50-15-XX	1/2"	1 1/2"	All
BAT 50-20-XX	1/2"	2"	All
BAT 75-75-XX	3/4"	3/4"	All
BAT 75-10-XX	3/4"	1"	All
BAT 75-15-XX	3/4"	1 1/2"	All
BAT 75-20-XX	3/4"	2"	All
BAT 10-10-XX	1"	1"	All
BAT 10-15-XX	1"	1 1/2"	All
BAT 10-20-XX	1"	2"	All
BAT 15-15-XX	1 1/2"	1 1/2"	All
BAT 15-20-XX	1 1/2"	2"	All
BAT 20-20-XX	2"	2"	All
BAT 30-30-XX	3"	3"	All
BAT 40-40-XX	4"	4"	All

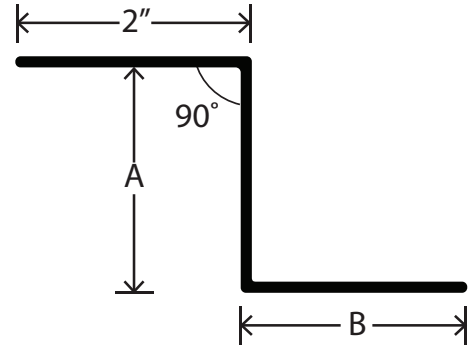
*Custom sizes available.

Manufacturer's Specifications

Flannery's Brake Formed products are available in a number of metals and finishes. Most can be specified in the following metals: .040" Thick Clear Anodized Aluminum; .040" Thick Mill Finish Aluminum; 26 ga. Copper; 26 ga. Stainless Steel T-304 #2 "Mill Finish"; 26 ga. Stainless Steel T-304 #4 "Brushed" Finish; and 26 ga. Galvanized Steel. Brake Formed products can be ordered in custom sizes and paint finishes. Brake formed products should be installed per the specifying architect or engineers' instructions.

BRAKE Z-TRIM

Product Detail



Trim Purpose

Flannery's Brake Z-Trim can be utilized as a flashing or special transition molding where two dissimilar wall thicknesses meet. The Brake Z-Trim is a formed metal product that is available in Aluminum, Copper, Stainless and Galvanized Steel.

Part No.	"A" Width	"B" Width	Available Metals
BZT 75-50-XX	3/4"	1/2"	All
BZT 75-75-XX	3/4"	3/4"	All
BZT 75-10-XX	3/4"	1"	All
BZT 75-15-XX	3/4"	1 1/2"	All
BZT 75-20-XX	3/4"	2"	All
BZT 87-50-XX	7/8"	1/2"	All
BZT 87-75-XX	7/8"	3/4"	All
BZT 87-10-XX	7/8"	1"	All
BZT 87-15-XX	7/8"	1 1/2"	All
BZT 87-20-XX	7/8"	2"	All
BZT 10-50-XX	1"	1/2"	All
BZT 10-75-XX	1"	3/4"	All
BZT 10-10-XX	1"	1"	All
BZT 10-15-XX	1"	1 1/2"	All
BZT 10-20-XX	1"	2"	All
BZT 20-50-XX	2"	1/2"	All
BZT 20-75-XX	2"	3/4"	All
BZT 20-10-XX	2"	1"	All
BZT 20-15-XX	2"	1 1/2"	All
BZT 20-20-XX	2"	2"	All

*Custom sizes available.

Please designate the desired metal with the designations below in place of the "XX" above.

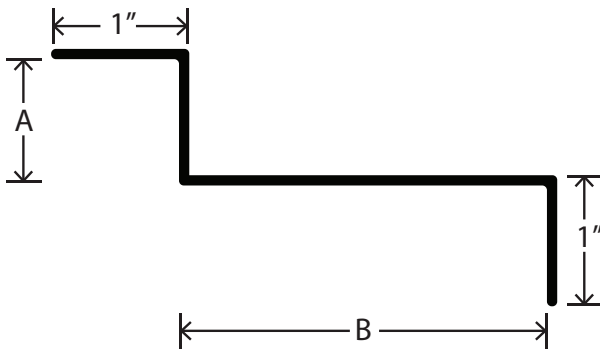
Example 1. BAT 50-50-CA will be Clear Anodized Aluminum

Example 2. BZT 75-50-CA will be Clear Anodized Aluminum

CA - Clear Anodized Aluminum	GS - Galvanized Steel
AL - Mill Finish Aluminum	SS - Mill Finish Stainless Steel
CU - Copper	BS - Brushed Stainless Steel

BRAKE W-MOLD

Product Detail



Trim Purpose

Flannery's Brake W-Mold is a unique transition mold that can be utilized in a number of custom situations. The Brake W-Mold is a formed metal product that is available in Aluminum, Copper, Stainless and Galvanized Steel.

Part No.	"A" Width	"B" Width	Available Metals
BWM 75-75-XX	3/4"	3/4"	All
BWM 75-10-XX	3/4"	1"	All
BWM 75-15-XX	3/4"	1 1/5"	All
BWM 75-20-XX	3/4"	2"	All
BWM 10-10-XX	1"	1"	All
BWM 10-15-XX	1"	1 1/2"	All
BWM 10-20-XX	1"	2"	All
BWM 15-15-XX	1 1/2"	1 1/2"	All
BWM 15-20-XX	1 1/2"	2"	All
BWM 20-20-XX	2"	2"	All

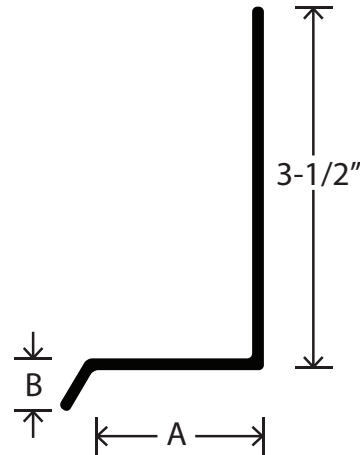
*Custom sizes available.

Manufacturer's Specifications

Flannery's Brake Formed products are available in a number of metals and finishes. Most can be specified in the following metals: .040" Thick Clear Anodized Aluminum; .040" Thick Mill Finish Aluminum; 26 ga. Copper; 26 ga. Stainless Steel T-304 #2 "Mill Finish"; 26 ga. Stainless Steel T-304 #4 "Brushed" Finish; and 26 ga. Galvanized Steel. Brake Formed products can be ordered in custom sizes and paint finishes. Brake formed products should be installed per the specifying architect or engineers' instructions.

BRAKE DRIP STOP

Product Detail



Trim Purpose

Flannery's Brake Drip Stop is a termination trim that can be used over wall openings that may require a drip edge to assist in evacuating moisture from behind a wall system. The Brake Drip Stop is a formed metal product that is available in Aluminum, Copper, Stainless and Galvanized Steel.

Part No.	"A" Width	"B" Width	Available Metals
BDS 75-25-XX	3/4"	1/4"	All
BDS 75-50-XX	3/4"	1/2"	All
BDS 87-25-XX	7/8"	1/4"	All
BDS 87-50-XX	7/8"	1/2"	All
BDS 10-25-XX	1"	1/4"	All
BDS 10-50-XX	1"	1/2"	All
BDS 15-25-XX	1 1/2"	1/4"	All
BDS 15-50-XX	1 1/2"	1/2"	All
BDS 20-25-XX	2"	1/4"	All
BDS 20-50-XX	2"	1/2"	All
BDS 30-25-XX	3"	1/4"	All
BDS 30-50-XX	3"	1/2"	All

*Custom sizes available.

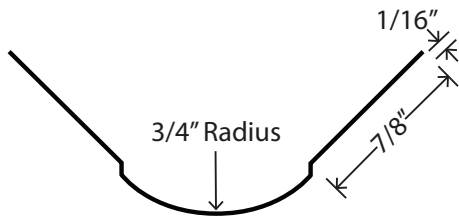
Please designate the desired metal with the designations below in place of the "XX" above.

Example 1. BWM 75-75-CA will be Clear Anodized Aluminum

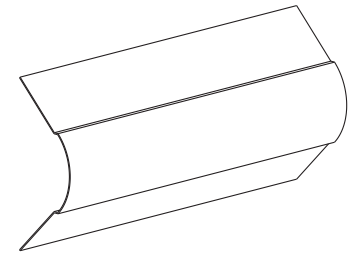
Example 2. BDS 75-50-CA will be Clear Anodized Aluminum

CA - Clear Anodized Aluminum	GS - Galvanized Steel
AL - Mill Finish Aluminum	SS - Mill Finish Stainless Steel
CU - Copper	BS - Brushed Stainless Steel

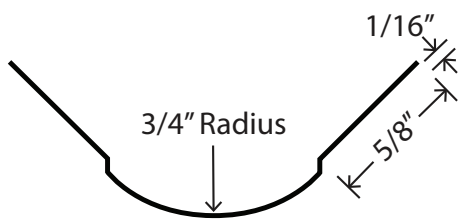
WIDE FLANGE BULLNOSE (90° OUTSIDE CORNER)



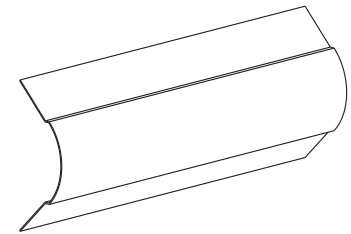
Length	Radius	Ft./Ctn	Steel
8'	3/4	400'	Yes
9'	3/4	400'	Yes
10'	3/4	400'	Yes



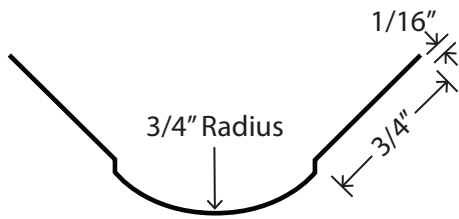
SHORT FLANGE BULLNOSE (90° OUTSIDE CORNER)



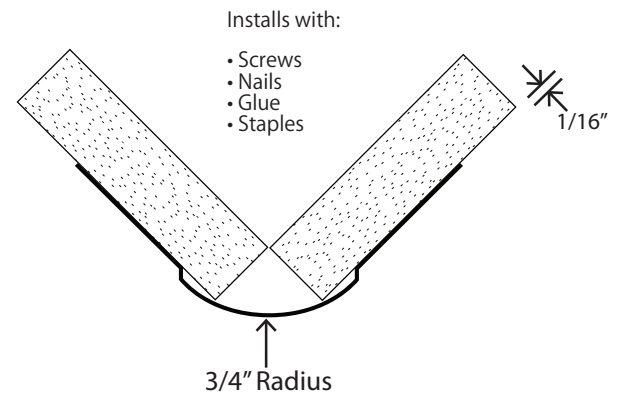
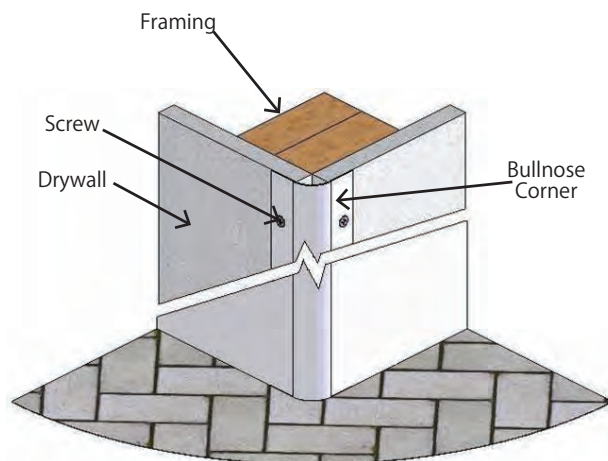
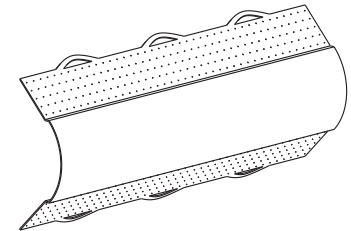
Length	Radius	Ft./Ctn	Steel
8'	3/4	400'	Yes
9'	3/4	400'	Yes
10'	3/4	400'	Yes



EXPANDED FLANGE BULLNOSE (90° OUTSIDE CORNER)

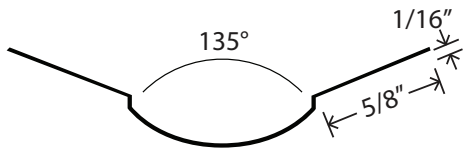


Length	Radius	Ft./Ctn	Steel
8'	3/4	400'	Yes
9'	3/4	400'	Yes
10'	3/4	400'	Yes

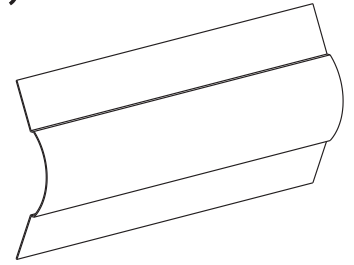


All Flannery steel and vinyl trims are manufactured according to standard specifications for accessories of gypsum wallboard and gypsum veneer base. ASTM designation C 1047-85.

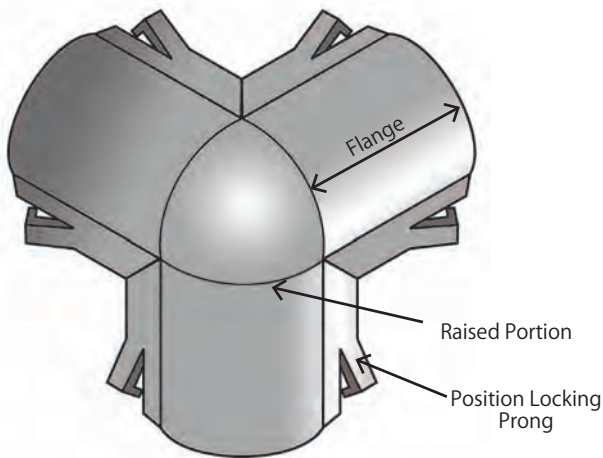
SPLAY BULLNOSE (135° OUTSIDE CORNER)



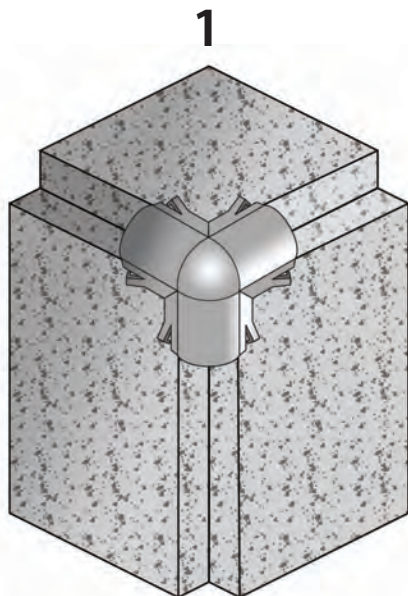
Length	Radius	Ft./Ctn	Steel
8'	3/4	400'	Yes
10'	3/4	400'	Yes



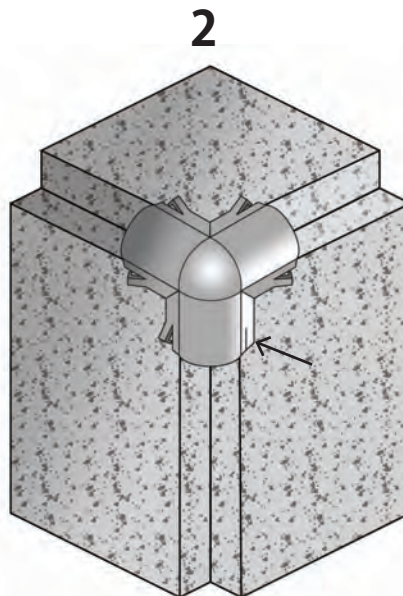
3-WAY LOCKING CORNER CAP



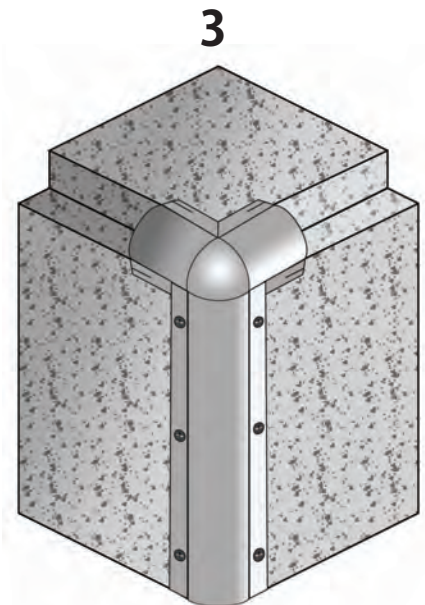
PATENT # 5,647,182



1 Place 3-Way Corner Cap in the desired location.



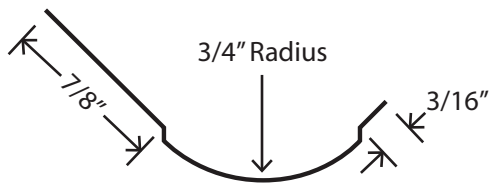
2 Hold the 3-Way Corner Cap firm against the drywall, then tap each prong into the drywall.



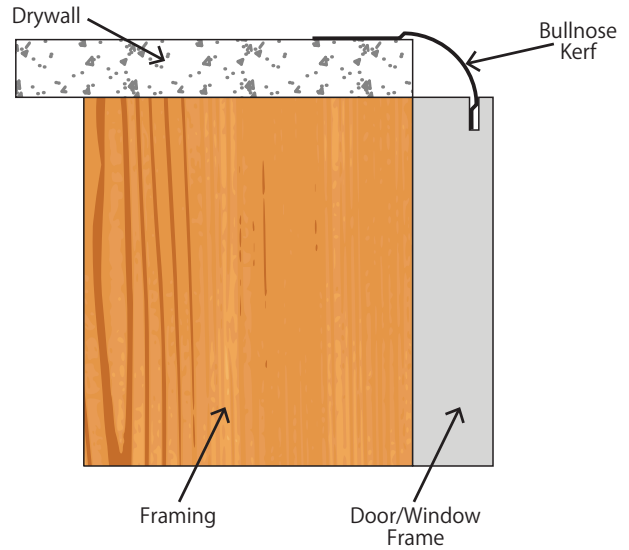
3 The Bullnose Corners are then placed over the 3-way Corner Cap Flange.

All Flannery steel and vinyl trims are manufactured according to standard specifications for accessories of gypsum wallboard and gypsum veneer base. ASTM designation C 1047-85.

BULLNOSE KERF TRIM

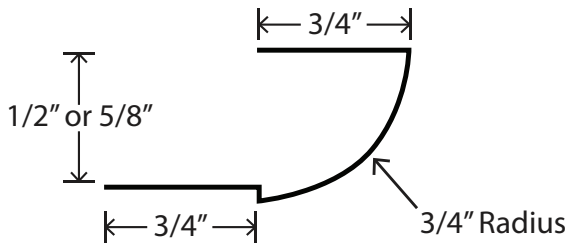


Length	Radius	Ft./Ctn	Steel
8'	3/4	400'	Yes
9'	3/4	400'	Yes
10'	3/4	400'	Yes

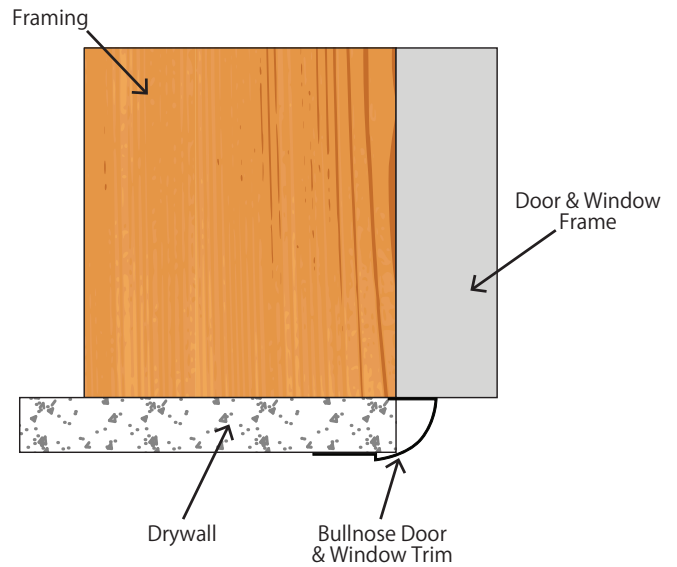


STEEL PRODUCTS

BULLNOSE DOOR & WINDOW TRIM



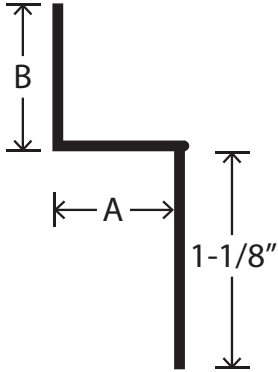
Length	Radius	Pcs./Ctn	Steel
8'	3/4	15	Yes
9'	3/4	15	Yes
10'	3/4	15	Yes



All Flannery steel and vinyl trims are manufactured according to standard specifications for accessories of gypsum wallboard and gypsum veneer base. ASTM designation C 1047-85.

STEEL SHADOW MOLD

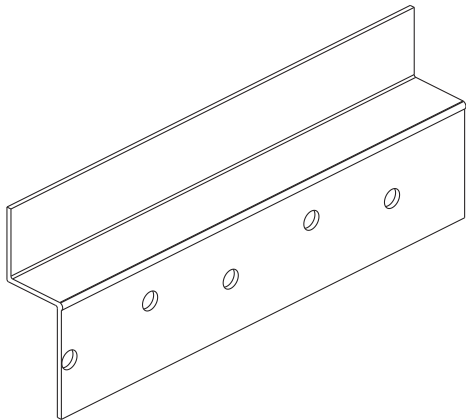
Product Detail



Trim Purpose

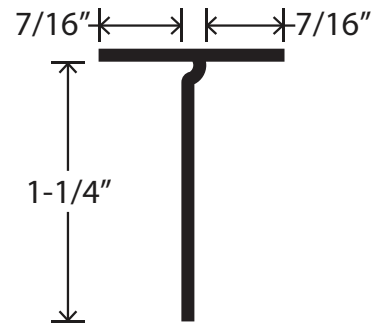
Flannery's Steel Shadow Mold produces a transition reveal between drywall and other materials. Steel Shadow Mold can be installed at the base or crown of a wall as well as around doors and windows. Flannery offers Steel Shadow Mold with a 1/2" or 3/4" reveal, while both sizes can fit either 1/2" or 5/8" drywall.

Part No.	"A" Depth	"B" Width	Length	Ft./Ctn	Steel
SS 500	1/2"	1/2"	10'	400'	Yes
SS 750	1/2"	3/4"	10'	400'	Yes



FAST MASK

Product Detail

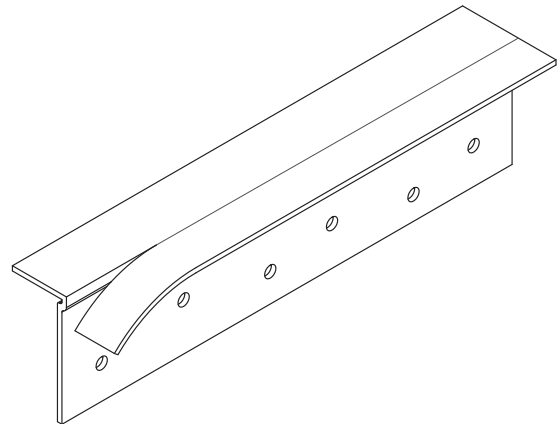


Trim Purpose

Flannery's Fast Mask is a taper's dream come true. While many drywall trims need to be masked before mud, tape, and paint can be applied, Fast Mask requires no such step. Fast Mask has a built in masking strip that only needs to be pulled once the drywall and paint job is complete. By cutting one of the most tedious steps out of the installation of a drywall trim, Fast Mask reduces the contractor's costs.

Part No.	Length	Ft./Ctn	Steel
Steel FM	10'	300'	Yes

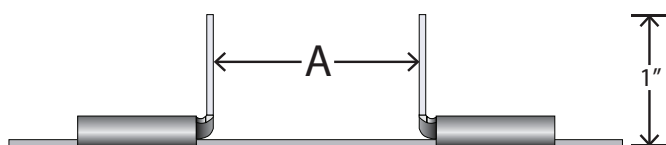
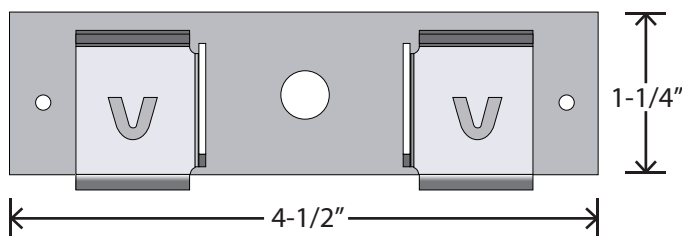
PATENT # 4,074,478



All Flannery steel and vinyl trims are manufactured according to standard specifications for accessories of gypsum wallboard and gypsum veneer base. ASTM designation C 1047-85.

COMP CLIP

Product Detail



Product Purpose

Flannery's deflection track clip known as the "Comp Clip" (Patent #US-2008-0110113-A1) is a reusable steel track accessory that holds steel studs (or possibly wood studs) in place while the studs are inserted into the head of wall track. The Comp Clip positions the stud in place while at the same time allowing it to have 100% unobstructed movement.

The Comp Clip does not interfere with the head of wall fire proofing, since it is merely a clip to hold the studs in place until the gypsum board is installed. Another feature of the Comp Clip is that the installer can install both clips for the same stud from one side of the wall, thus reducing the amount of time it takes to install a stud. The Comp Clip can be ordered with either a 1-3/8" or 1-5/8" slot for whichever size stud the job requires.

Part No.	"A" Width
CC1375	1 3/8"
CC1625	1 5/8"

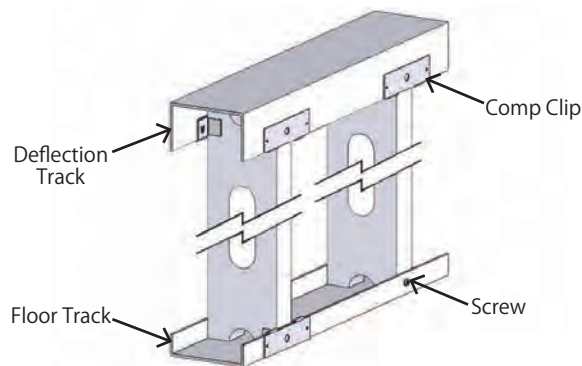
Manufacturer's Specifications

Flannery's Comp Clip is composed of 20 gauge Spring Steel and can be reused or left in place. The Comp Clip is inserted around a metal stud and then "slid" into position over the deflection track. Installer can center the Comp Clip and stud to the track layout by using the center hole cut-out in the Comp Clip. Pre-punched holes are provided at each end of the Comp Clip should local building codes require fasteners. Since Flannery's Comp Clips hold studs in position while gypsum board is attached to those studs, Comp Clips can be removed before the last strip of gypsum board is installed. This allows the installer to remove and then reuse the clips on another wall.

For additional technical assistance or information about the Comp Clip, please contact Flannery. Flannery's steel trims and accessories are manufactured according to standard specifications for accessories of gypsum wallboard and gypsum veneer base (ASTM designation C 1047-85).

All Flannery steel and vinyl trims are manufactured according to standard specifications for accessories of gypsum wallboard and gypsum veneer base (ASTM #C-1047-85).

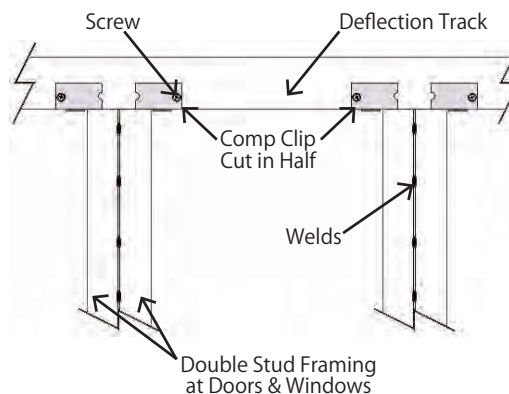
Installation Detail



PATENT #
US-2008-0110113-A1

Comp Clips at Door & Window Openings

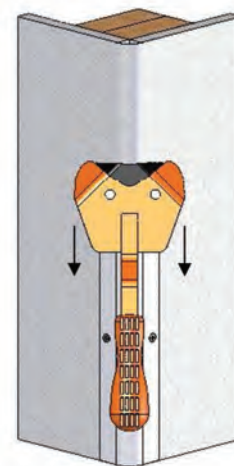
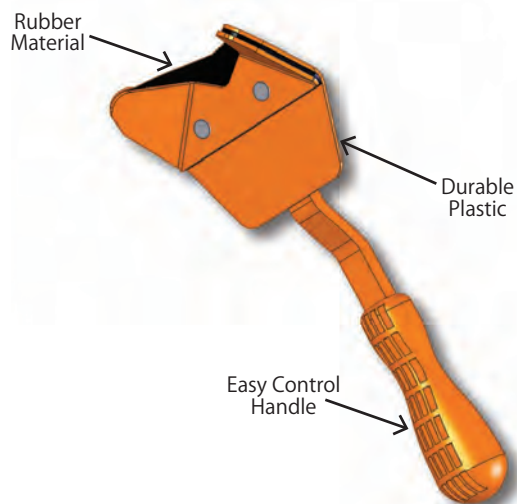
Flannery's Comp Clips can be utilized at all door and window framing members. Every door and window requires double studs on both sides, yet this does not keep the Comp Clip from doing the job. Simply cut the Comp Clip in half and insert one around the one side of the double studs and the other around the other side. A fastener through each Comp Clip is required for this type of installation. Comp Clips should not be removed from around double stud installations.



BULLNOSE TROWEL

Product Purpose

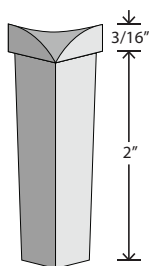
Flannery's Bullnose Trowel is an exceptional tool for spreading joint compound along bullnose corners. The handle and the head of the trowel are constructed from durable plastic. The taping portion of the trowel is composed of rubber and creates a flexible edge for contact with any $\frac{3}{4}$ " bullnose corner. Flannery's Bullnose Trowel will feather the joint compound evenly on both sides of a corner at once, while removing the excess joint compound from the exposed portion of the bead. It works exceptionally well when running bullnose arches by freehand.



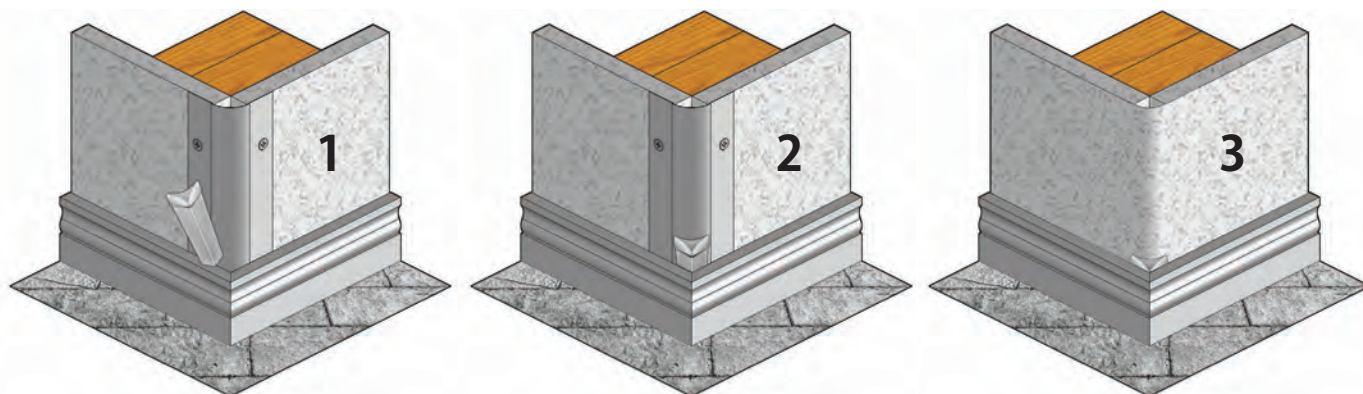
BULLNOSE BASE PLUG

Product Purpose

Flannery's Bullnose Base Plugs are an inexpensive solution for filling the gap between wood base and bullnose corners. The Base Plugs are tapered to ensure a snug fit. They fit any base/crown corner with a $\frac{3}{4}$ " radius, no matter the thickness or height. The Base Plugs are manufactured with a small shoulder, allowing each to have a uniform installation depth.



PATENT # 6,374,559 B1

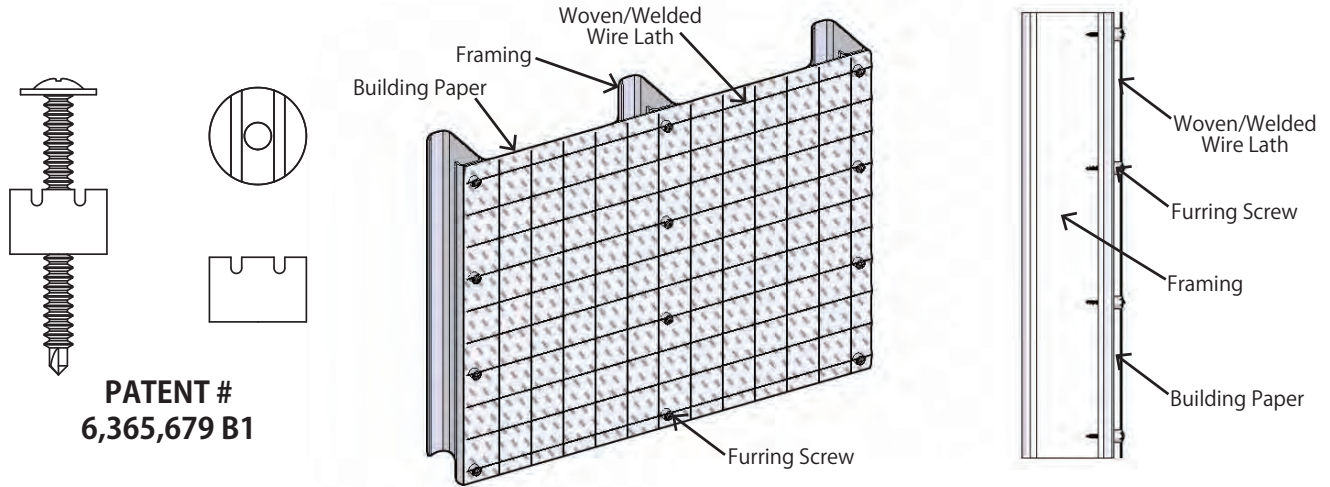


All Flannery steel and vinyl trims are manufactured according to standard specifications for accessories of gypsum wallboard and gypsum veneer base. ASTM designation C 1047-85.

FURRING SCREWS

Product Purpose

Flannery's Furring Screws allow for consistent spacing between welded or woven wire and building paper. Furring nails have been available for years, but could only be utilized with wood framing. Now, Flannery's Furring Screws can be used for both steel and wood framing. Our Furring Screws were designed to ensure proper embedment of wire into the stucco. When installing Flannery's Furring Screws, the wire strand must be placed in the wad slot to protect against wad rotation caused by the screw gun. Flannery's Furring Screws can be purchased in different sizes (1¼", 1½", and 1¾") with the wads attached. The Furring Wads themselves are also available for purchase separately.

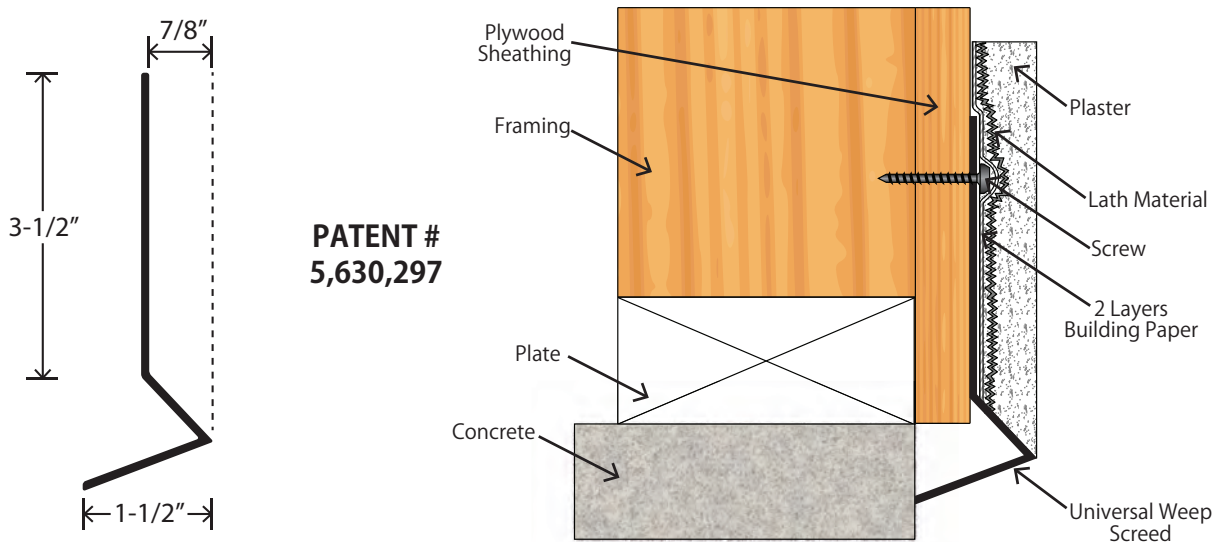


VINYL UNIVERSAL WEEP SCREED

Product Purpose

Flannery's Vinyl Universal Weep Screed (Patent #5,630,297) serves as a typical weep screed with a unique benefit. The benefit to the Vinyl Universal Weep Screed is the longer return flange on the bottom of the screed, which allows for a tight fit against concrete foundations. Standard weep screeds have a shorter return leg, which can be an issue when installed over steel or wood framed buildings that utilize wood sheathing. Typically, framing members are set at the edge of the foundation and the sheer panels are fastened to the framing. This then creates a gap between a typical weep screed and the concrete foundation. By lengthening the lower return leg, the Universal Weep Screed rests firmly against the concrete foundation eliminating the possible gap.

Attach Weep Screeds to the framing with nails, screws, or other approved fastening methods. Attach the bottom edge of the Universal Weep Screed no less than 1" below the joint formed by the foundation and framing. The nose of the screed must be placed no less than 4 inches above raw earth or 2 inches above paved surfaces. The weather resistant barrier (two layers of building paper required if plywood sheathing is used) and lath must entirely cover the vertical attachment flange and terminate at the top edge of the nose or ground flange (per ASTM C 1063-03, Sec. 7.11.5).



All Flannery steel and vinyl trims are manufactured according to standard specifications for accessories of gypsum wallboard and gypsum veneer base. ASTM designation C 1047-85.

FACTORY FINISHES

MILL FINISH

"Mill Finish" is the term that Flannery uses to describe its aluminum trims that have no finish applied to them. In other words, it is raw aluminum from our mill and it can be field primed and painted. Typically, Mill Finish has a shiny or "mirror-like" appearance with some visible manufacturing lines.

Mill Finish trims must be cleaned before field priming occurs. Typically, soapy water should clean most surface or factory impurities from the trim. Sufficient drying time should be planned for before primer is applied. The paint manufacturer should be consulted when choosing a primer for aluminum trims. Mill Finish trims should never be left exposed for an extended period, since this may allow the metal to begin the oxidation process. All aluminum trims must be covered with a proper paint or anodized finish.

ANODIZED FINISHES

Clear Anodized Finish

The standard finish for Flannery's Exterior Trims is a Clear Anodized Finish (Architectural 200R1). The Clear Anodized finish is an electrochemical conversion process that deposits an oxide film on the aluminum trim. A natural oxidation process occurs on bare aluminum, however producing the oxidation process artificially creates a thicker, harder, and more durable "oxide film." Clear Anodized is an extremely durable finish and is resistant to most forms of corrosion.

Color Anodizing

Special Color Anodized finishes are also available if required. Gold Anodized, Black Anodized, and Bronze Anodized finishes can be ordered. Bronze Anodized can be ordered in three different color shades: Light, Medium, and Dark Bronze. Please note: Color Anodized Finishes can vary from one piece of trim to another. This is one of the characteristics to the anodizing process and must be considered before any orders are placed. Typically, the color of the anodizing will fall within a certain range, which usually can be determined prior to anodizing. Check with Flannery for details.



Image for reference only. Not intended to be used for color matching. Please call Flannery, Inc for finish samples.

Anodizing Specifications

Standard Clear Anodized Finish- Architectural 200R1 medium etch (AA-M32C10A21). Thickness of anodic coating shall be tested in accordance with ASTM B-244-68.

Color Anodized Finish- Two-step impregnated color Class II Architectural .40-.70 mils (AA-M12C22A33). Thickness of coating shall be tested in accordance with ASTM B244-68.

Please note: Anodized Finishes can vary from one piece of trim to another. This is one of the characteristics to the anodizing process and must be considered before any orders are placed. Typically, the color of the anodizing will fall within a certain range, which usually can be determined prior to anodizing. Check with Flannery for details. For finish protection, see Manufacturer's Specifications on pages 61-63.

CHEMICAL CONVERSION COAT FINISH (CHEM-FILM)

Chem-film (aka Alodine) is a chemical conversion process that prepares aluminum extrusions for field painting. It is a multi-step cleaning and aluminum preparation process. First, it cleans the aluminum trim and then it acts as a protective coating until primer and paint can be applied. If your job requires field painting, a chemical conversion coating can be specified.

Chemical Conversion Finish Specifications

Chem-film/Alodine- Treatment of aluminum moldings to conform to ASTM D 1730 Type B and MIL-C-5541A.

KYNAR® PAINT FINISH

Kynar® is a 70% fluopolymer resin based 2-coat baked on paint that is offered by Flannery as an optional finish where high durability is needed or an existing color must be matched. Kynar® finishes are highly resistant to chalking and ultraviolet deterioration. They are also highly resistant to chemicals, salt spray, and industrial pollutants. Flannery recommends these finishes for trims on exteriors in harsh environments including coastal areas where salt air is most common. Kynar® paint finishes are available in custom colors. Please note that some finishes may require a Kynar® XL (with topcoat) finish due to the exotic nature of the color. Please have the color code or sample available when requesting a quote for these custom colors.

Kynar® Finish Specifications

Kynar® Paint Finishes shall meet or exceed AAMA 605.2 Specification "Voluntary Specification for High Performance Organic Coatings on Architectural Extrusion Panels." Meets or exceeds a nominal dry film thickness of 1.2 mil. For finish protection, see Manufacturer's Specifications on pages 61-63.

Kynar® is a registered trademark of Atochem North America, Inc.

POWDER-COATED PAINT FINISHES

Flannery offers Powder-Coated Paint Finishes on all of its aluminum trims. Flannery's factory powder-coated paint process can match any paint manufacturer's paint number or match a custom paint color to provide the desired aesthetic finish. Powder-coated paint finishes are applied to the aluminum trims after a chem-film finish and factory primer has been applied. Please have the color code or sample available when requesting a quote for these custom colors.

Powder-Coated Finish Specifications

Powder-Coated Paint finishes shall meet or exceed the dry film thickness of 1.2 mil as specified in AAMA 2605 SEC 4.3. Color uniformity will meet or exceed the requirements of AAMA 2605 SEC 7.1. For finish protection, see Manufacturer's Specifications on pages 61-63.

MANUFACTURER'S SPECIFICATIONS

CUTTING ALUMINUM MOLDINGS

1. Flannery recommends that full ten-foot lengths be used wherever possible.
2. Aluminum Moldings can be cut with a chop saw, using a 150-tooth carbide-tip blade for non-ferrous metal. An abrasive cut-off wheel should not be used to cut aluminum trims.
3. Lubricant (WD-40 or grease stick) must be applied to the blade before each cut. Lubricant should be cleaned off of trim prior to installation.

FIELD PAINTING

Mill Finish (raw) Aluminum Moldings

1. Clean and treat moldings in accordance with the paint manufacturer's specifications.
2. Use a primer recommended by the paint manufacturer.
3. Apply the paint coat according to the paint manufacturer's specifications.

Chem-Film Finished Aluminum Moldings

1. Clean and treat moldings in accordance with the paint manufacturer's specifications.
2. Use a primer recommended by the paint manufacturer.
3. Apply the paint coat according to the paint manufacturer's specifications.

Clear Anodized Aluminum Moldings

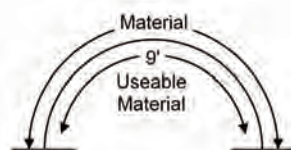
If field painting of clear anodized moldings is necessary, the following steps must be taken to improve the bond between the paint and the aluminum surface:

1. Clean and treat moldings with an acid etch solution (i.e. mild concentration of muriatic acid), then rinse thoroughly and allow to dry. An "acid-etched" primer is also available depending on the paint manufacturer's recommendations.
2. Use a primer recommended by the paint manufacturer.
3. Apply the paint coat according to the paint manufacturer's specifications.
4. Flannery makes no guarantees, nor accepts any responsibility, for the performance of field-applied coatings over anodized finishes.

FACTORY RADIUS

Radius Shapes are factory curved or bent pieces of material that are necessary when a Flannery trim runs along a "curved" or "radiused" plane. Radiused material is bent to a project's dimensional requirements and is considered a custom product. Here are some things you should consider when ordering radiused material:

- Radius Shapes are formed from 10' pieces of material. Typically, only 9' of that piece of material will be usable for installation due to machining marks.



- Radius Order Forms can be downloaded at www.flannerytrim.com under the specific product page of the trim being bent.
- Flannery accepts a template if a radius is complex or undefined by the architectural plans.
- When placing an order for radius with Flannery, please indicate the following:

1. Product Type (i.e. product code) and Finish Required
2. Direction of Bend (Inside Curve, Outside Curve, Arch, or Reverse Arch)
3. Size of Radius (in inches or feet)
4. Point of Measurement (the point on the trim where the radius is measured to)
5. Quantity of Pieces Required

SPECIFICATIONS FOR INTERIOR TRIMS

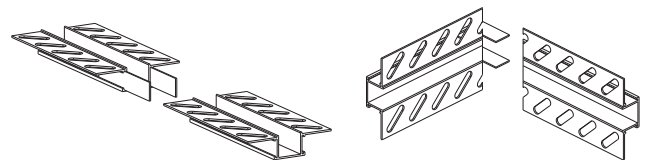
Installation Instructions for Interior Moldings with Tapeable Flanges

1. Moldings with tapeable flanges are to be installed after the drywall/gypsum board has been installed. The installer must provide space for the moldings at the time of drywall/gypsum board installation or cut the drywall/gypsum board with a router.
2. The framing should provide a backer so that moldings can be attached with #6 drywall screws 16" on center.
3. Before the taping process begins, installation flanges should be cleaned. If veneer plaster is specified, the installation flanges must be treated with a bonding agent. Reveals should be masked to prevent compound joint, drywall mud or texture overspray from entering the reveal opening.
4. Painted aluminum moldings should be masked with vinyl tape. Use cloth or vinyl tape specifically manufactured for masking anodized aluminum trims.
5. Drywall tape should not overlap the edge of the reveal. An 8" wide trowel should be used to apply the final skim coat.
6. Fiberglass or self-adhesive drywall tape will shorten taping time and assist in the prevention of possible cracking.

Installation Instructions for Interior Moldings without Tapeable Flanges

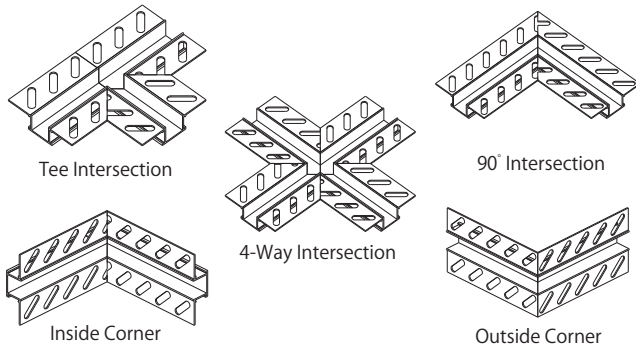
1. Moldings without tapeable flanges are to be installed prior to the drywall/gypsum board being installed.
2. The framing should provide a backer so that moldings can be attached with #6 drywall screws 16" on center.
3. Reveals should be masked to prevent compound joint, drywall mud or texture overspray from entering the reveal opening.

Aluminum Alignment Splices for Interior Trims



Almost all of Flannery's Drywall Trims are now available with our exclusive Aluminum Alignment Splices. Flannery offers our Straight Splices free of charge and our Special Corner or 90° Intersection Splices for a small charge. Straight Splices assist the installer in aligning and joining aluminum drywall trims together along a straight plane. Installers who cut their own miters in the field can use our Special Corner and 90° Intersection Splices to bring the cut pieces together for a tight and clean butt or miter joint.

Prefabricated Factory Intersections for Interior Trims



Flannery's prefabricated factory intersections and corners for interior trims are manufactured with the same or different moldings. They are used to complete intricate building designs that utilize intersecting lines (both vertical and horizontal) around interior walls. The intersections and corners are mitered and then heli-arc welded at the installation flanges. The standard intersection or corner comes with 6" legs from the center point of the reveal. Custom leg lengths are also available.

SPECIFICATIONS FOR EXTERIOR PLASTER TRIMS

Installation Instructions for Exterior Reveal Moldings Installed Vertically

1. Building Paper must be placed behind all moldings and have a shiplap of 6".
2. Attach moldings 16" on center to framing using approved fastening methods. Butt joints must be cut accurately and sealed.
3. Install lath over installation flanges of all moldings.
4. Mask all reveals prior to plastering. Use cloth or vinyl tape specifically manufactured for masking anodized aluminum moldings. For painted moldings, use vinyl tape.

Installation Instructions for Exterior Reveal Moldings Installed Horizontally

1. Building paper must be placed behind all moldings and have a shiplap of at least 2".
2. Attach moldings 16" or 24" on center to framing using approved fastening methods. Butt joints must be cut accurately and sealed.
3. Install lath over installation flanges of all moldings.
4. Mask all reveals prior to plastering. Use cloth or vinyl tape specifically manufactured for masking anodized aluminum moldings. For painted moldings, use vinyl tape.

Installation Instructions for Exterior Reveal Moldings Over Metal Lath

1. Molding selection must be in accordance with the proper plaster thickness specified.
2. Moldings must be tied to the lath with tie wire, thus protecting the waterproof membrane. Flannery offers factory punched stucco "key" holes along the reveal attachment flanges to assist in tying the trim to the metal lath or wire. Butt joints must be cut accurately and sealed.
3. All installation flanges of the moldings must be covered with lath.

4. Please note that the Uniform Building Code requires two layers of grade "D" paper when applied over wood-based sheathing.

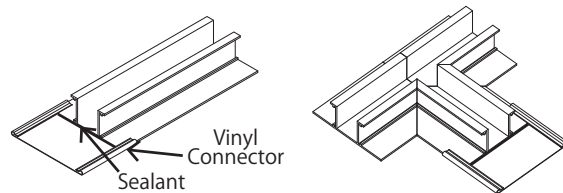
5. Mask all reveals prior to plastering. Use cloth or vinyl tape specifically manufactured for masking anodized aluminum moldings. For painted moldings, use vinyl tape.

Installation Instructions for Weep, Window, and Soffit Drip Screeds

Weep Screeds, Door & Window Drips or Soffit Drip Screeds should be installed per the architect or building engineer's installation instructions. Flannery recommends the following steps to help assist the installer in maximizing these trims' main purpose, which is water management:

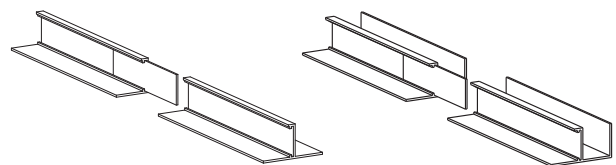
1. Before Flannery's weeping trims are installed, required waterproofing for door and window openings should be inspected and evaluated for proper installation.
2. All Weep or Drip Screeds should be attached horizontally 16" or 24" on center to framing using approved fastening methods. Butt joints must be cut accurately and sealed.
3. Building paper or the weather resistant barrier should then be installed over the corresponding attachment flanges to prevent moisture from getting in behind the trim.
4. Install lath over the corresponding attachment flanges of the molding.
5. If the trim has a reveal, use cloth or vinyl tape specifically manufactured for masking anodized aluminum moldings prior to plastering. For painted moldings, use vinyl tape.

Vinyl Connector Clips



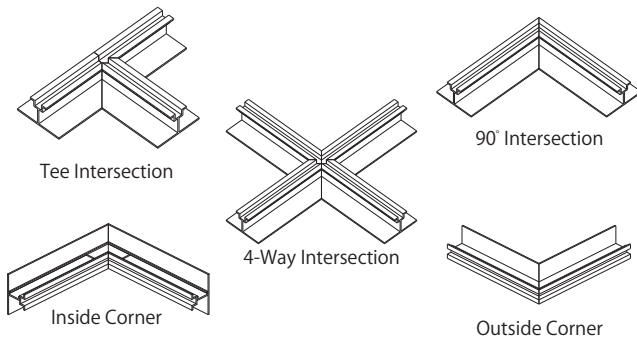
Flannery provides Vinyl Connector Clips for many of our exterior aluminum trims to assist the installer in lining up and sealing butt joints. Sealant is required at all butt joints and Flannery's Vinyl Connector Clips can be utilized as a bed for the sealant to be applied between two pieces of trim. Vinyl Connector Clips are required for Flannery's Plaster Channel Screeds and are provided free of charge.

Aluminum Alignment Splices



Many of Flannery's Exterior Aluminum Trims are now available with our exclusive Aluminum Alignment Splices. Flannery offers our Straight Splices free of charge and our Special Corner or 90° Intersection Splices for a small charge. Straight Splices assist the installer in aligning and joining aluminum trims together along a straight plane. Installers who cut their own miters in the field can use our Special Corner and 90° Intersection Splices to bring the cut pieces together for a tight and clean butt or miter joint.

Prefabricated Factory Intersections For Exterior Trims



Flannery's prefabricated factory intersections and corners for exterior trims are manufactured with the same or different moldings. They are used to complete intricate building designs that utilize intersecting lines (both vertical and horizontal) on exterior walls. The intersections and corners are mitered and then heli-arc welded at the installation flanges. A seal is then applied to the back of the intersecting butt joints. The standard intersection or corner comes with 6" legs from the center point of the reveal. Custom leg lengths are also available. All installation flanges must be covered with lath and all butt joints must be sealed.

In addition to Factory Intersections, Flannery also offers "Notched" intersections or "Grid Systems" for its Plaster Channel Screeds and Plaster F-Molds. Flannery's grid system gives the installer all of the vertical lines of trim with notches in them at specified intervals in order to install the horizontal lines of trim quickly and cleanly. These notched trims reduce labor costs and trim waste by creating the entire plaster grid layout in the factory for easy installation on the jobsite.

VENTILATION

It is possible to punch Vent Slots into many of Flannery's Trims, thus providing the needed ventilation for any project. All Vent Slots are 1/8" wide and 1" long. Vent Slots are configured at 1 1/2" on center lengthwise and 1/2" on center laterally. Each row of Vent Slots lengthwise provides approximately one-square inch of vented area per lineal foot (see Vent Area Graph below). All of Flannery's Vented Trims are available with a charcoal fiberglass bug screen to prevent insects from entering the soffit area through the vent slots. Bug screen is available upon request at an additional cost.

Flannery manufactures ventilated trims for a number of soffit systems including, Plaster, EIFS, Exterior Gypsum Board and Wood Paneling. Attach Vent Screeds to the framing with nails, screws, or other approved fastening methods. To ease installation, Flannery offers Aluminum Alignment Splices for most of its Vent Screeds. All Vent Screeds must be cut accurately and installed with tight, neat joints.

Vent Area Graph

Reveal Width	Vent Slots Per Row	Vent Area Per Lineal Foot (Approximate)
1/2"	1	1" sq.
5/8"	1	1" sq.
3/4"	1	1" sq.
7/8"	1	1" sq.
1"	1	1" sq.
1 1/2"	2	2" sq.
2"	3	3" sq.

Vent Area Graph (continued)

Reveal Width	Vent Slots Per Row	Vent Area Per Lineal Foot (Approximate)
2 1/2"	3	3" sq.
3"	5	5" sq.
4"	7	7" sq.
6"	9	9" sq.

BRAKE SHAPES

Flannery manufactures a number of press brake trims in many different metals and finishes. Brake Shapes are typically custom items due to the many variables in flange or reveal dimensions and variety of metals that Flannery offers. Most of Flannery's Brake Shapes can be produced within 3-5 days of order placement and trim costs are based on current metal and production costs. Custom shapes can be requested by simply submitting a drawing with dimensional information to Flannery.

Product Data for Metal Sheets used in Typical Brake Shape Production:

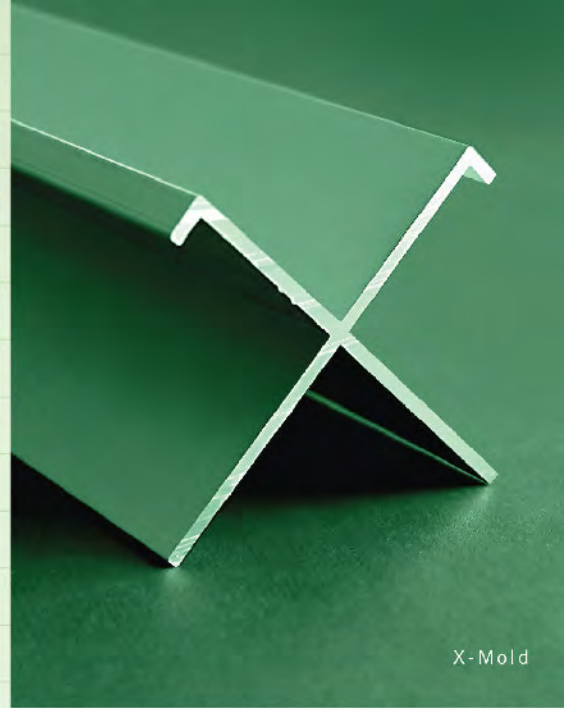
Metal	Thickness	Finish	Product Code
Clear Anodized Aluminum Sheet	.040"	Clear Anodized	CA
Mill Finish Aluminum Sheet	.040"	Mill	AL
16 oz. Copper Sheet	26 ga.	Mill	CU
Stainless Steel T-304 #2 Mill Sheet	26 ga.	Mill	SS
Stainless Steel T-304 #4 Brushed Sheet	26 ga.	Brushed	BS
Galvanized Steel Sheet (G60 or Greater)	26 ga.	Galvanized	GS

*Other Sheet Thicknesses and Finishes are available upon request.

This catalog presents general guidelines and suggestions for the installation of Flannery trims and products. The purpose of these general guidelines and suggestions is to aid in a successful interior or exterior finish based on the Uniform Building Code and industry standards. No one catalog can address all of the unique specifics or installation details that occur from one project to another. Flannery recommends that every installer be familiar, or become acquainted with, common interior or exterior trim installation practices before installing any of Flannery's many trims and products. Flannery also recommends that the specifying architect, engineer, and general contractor be consulted with as well. This catalog replaces and renders obsolete all previous publications by Flannery; including catalogs, pamphlets, or other forms of literature.



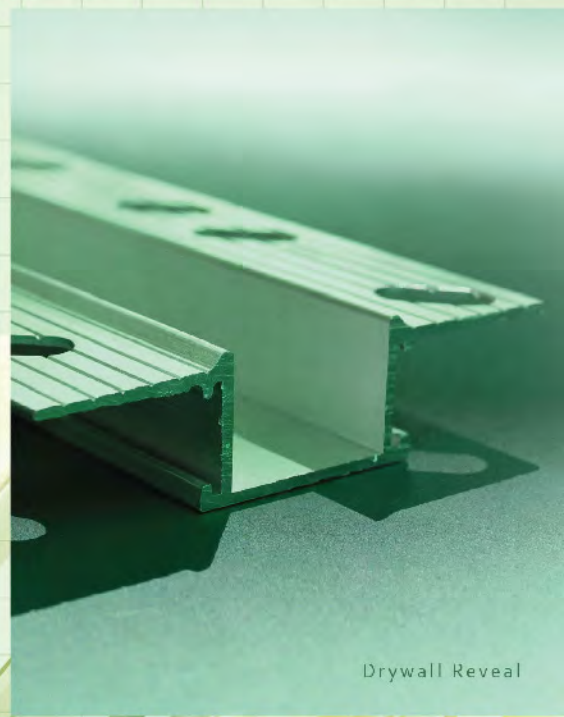
GOLDEN NUGGET
Atlantic City, NJ



X-Mold



EIGHTH AVENUE PLACE
Calgary, Alberta, Canada



Drywall Reveal



Flannery, Inc.

Manufacturer of Specialty Aluminum Trims

TEL (818) 837-7585

FAX (818) 837-1155

EMAIL info@flannerytrim.com

300 Parkside Dr. San Fernando, CA 91340

www.flannerytrim.com

